

Automatic Pulp and Juice Extractors



- 3/4 H.P. motor with on-off, push type switch on C80.
- 1 H.P. motor with on-off, push type switch on C120.
- Attachments remove easily for cleaning.
- Stainless steel construction.
- Large feed tray.
- Automatic sieve.
- Attractive, functional design—C80 uses 22" x 14-1/2" of counter space. C120 uses 33" x 19" of floor space.
- 1 year parts and labor warranty.

***C120 produces up to 275 lbs. per hour.
C80 produces up to 165 lbs. per hour.***

Automatically separate juice, seeds, skin from a variety of fruits.

Robot Coupe U.S.A., Inc.
P.O. Box 16625
Jackson, MS 39236-6625
1-800-824-1646
FAX: (601) 898-9134
www.robotcoupeusa.com
e-mail: robocoup@misnet.com
SPECIFICATIONS ON
REVERSE SIDE

Specifications

STANDARD PACK:

C80 Complete stainless steel unit with motor, automatic sieve, one clear plastic pulp container and one clear plastic juice container with 1mm perforated basket.

C120 Complete stainless steel unit with motor, automatic sieve and discharge chute.

ELECTRICAL:

C80 115 volt, 60 Hz, 12 amps, single phase.

C120-1 115 volt, 60 Hz, 12 amps, single phase.

C120-2 220 volt, 60 Hz, 4.5 amps, three phase.

MOTOR:

C80 3/4 H.P., 1725 R.P.M.

C120-1 1 H.P., 1725 R.P.M.

C120-2 1 H.P., 1725 R.P.M.

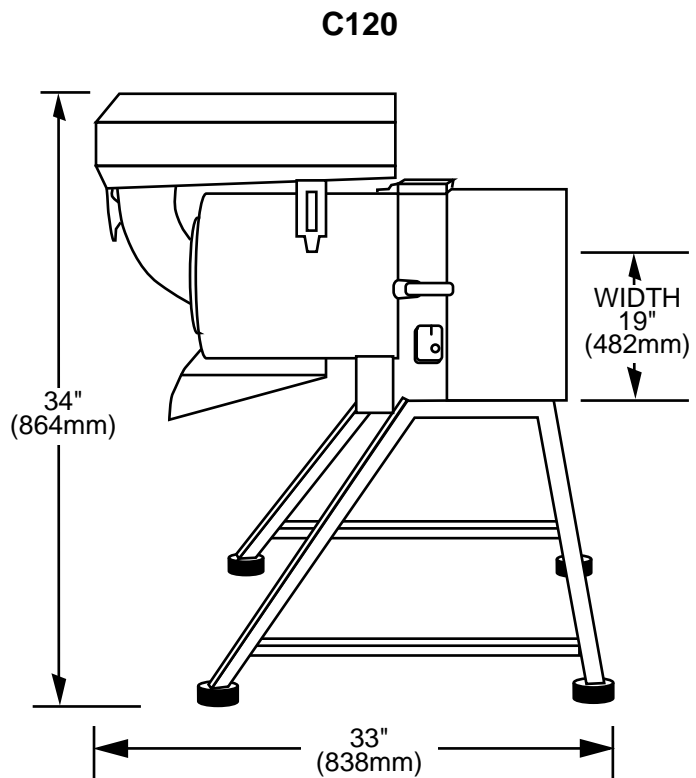
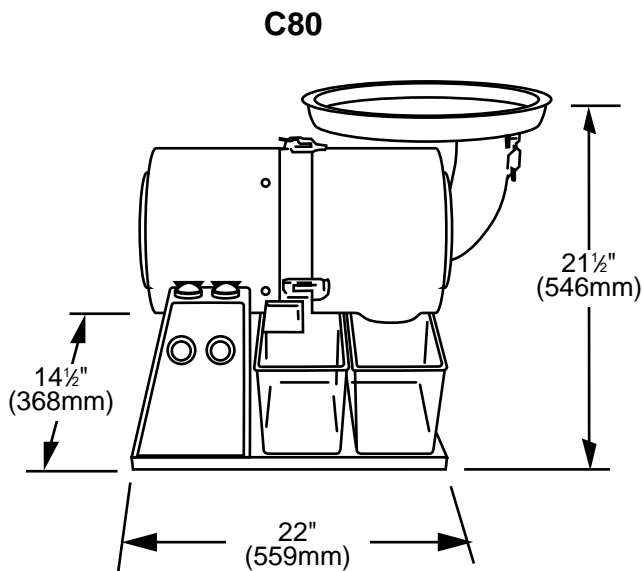
SWITCHING: On-off, push-type.

WEIGHT:

C80 48 net lbs., 52 lbs. approximate shipping weight.

C120 101 net lbs., 110 lbs. approximate shipping weight.

OPTIONAL EQUIPMENT: .5mm perforated basket, 3mm perforated basket, equipment cart.



Distributed by:

Robot Coupe U.S.A., Inc.
P.O. Box 16625
Jackson, MS 39236-6625
1-800-824-1646
FAX: (601) 898-9134
www.robotcoupeusa.com
e-mail: robocoup@misnet.com