

Item No.:	_____	Qty. _____
Model No.:	_____	
Project No.:	_____	



## 12" Standard Series Sinks

12" Deep Standard Series Three Compartment Stainless Steel Sinks

- |   |   |
|---|---|
| <input type="checkbox"/> <b>3C16X20-2-18X</b> | <input type="checkbox"/> <b>3C18X24-2-24X</b> |
| <input type="checkbox"/> <b>3C18X18-2-18X</b> | <input type="checkbox"/> <b>3C20X28-2-20X</b> |
| <input type="checkbox"/> <b>3C18X18-2-24X</b> | <input type="checkbox"/> <b>3C20X28-2-24X</b> |
| <input type="checkbox"/> <b>3C18X24-2-18X</b> | <input type="checkbox"/> <b>3C24X24-2-24X</b> |

## Options

- Faucets
- Tub Accessories
- Undershelves
- Rotary Drain Options
- H-Frame Stainless Steel Legs
- Stainless Steel Feet Options (bullet & flange styles)

## Specifications

12" Standard Series Sink, with three compartments, both left and right drainboards, 10" backsplash, 16 gauge, 300 series stainless steel top and bowl, galvanized legs & adjustable feet, raised 1-1/2" rolled edge, includes 3-1/2" basket strainer, NSF approved

## Features

- 16 Ga. stainless steel
- Welded construction for consistent metal gauge thickness throughout
- 12" (304.8 mm) deep tub with 3/4" (19.1 mm) coved radius tub corners
- All drainboards are die stamped for positive drainage
- 10" (254 mm) backsplash with tile ledge for easy installation
- Raised 1-1/2" (38.1 mm) diameter rolled edge
- 3-1/2" (88.9 mm) drain with basket strainers included
- 1-5/8" (41.3 mm) galvanized legs with 1" (25.4 mm) adjustable plastic feet
- 2" (50.8 mm) divider between each tub

## Materials

- Sink & Bowl: 16 Ga. 300 series stainless steel
- Top: Drainboards and backsplash are 16 gauge 300 series stainless steel.
- Legs: All sinks furnished with 1-5/8" (41.3 mm) diameter heavy gauge galvanized tubing with plated galvanized leg gussets and high impact corrosion resistant fully adjustable 1" (25.4 mm) feet.

## Mechanical

- 1-1/8" (28.6mm) faucet holes on 8" (203mm) centers
- 3-1/2" (88.9mm) waste drain opening

## Flyer Product

*In keeping with our policy of continuing product improvement, Elkay SSP reserves the right to change product specifications without notice.*

*This specification describes an Elkay SSP product with design, quality and functional benefits to the user. When making a comparison of other producers' offerings, be certain these features are not overlooked.*



**AUTOQUOTES**

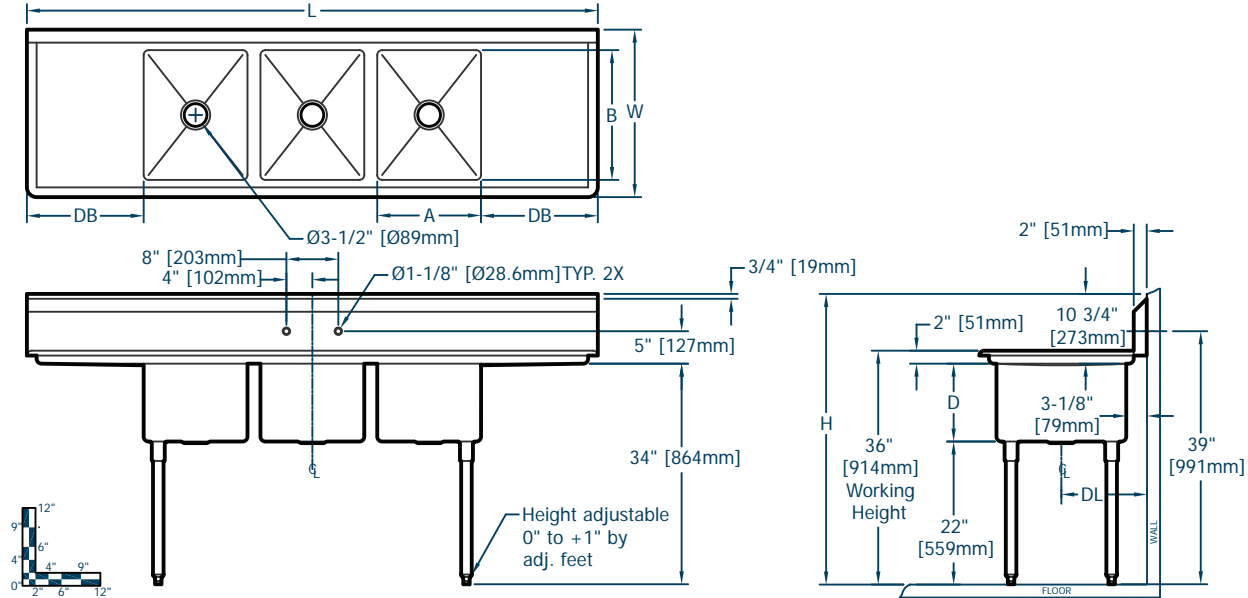




Item No.: \_\_\_\_\_ Qty. \_\_\_\_\_  
 Model No.: \_\_\_\_\_  
 Project No.: \_\_\_\_\_

## 12" Standard Series Sinks

12" Deep Standard Series Three Compartment Stainless Steel Sinks



12" Standard Series Sinks																		
Model Number	Bowl Dimensions						Overall Size						Drainboard		Drain Location		Weight	
	Width		Front-to-Back		Depth		Length		Width		Height		Location	Size	Location	DL	lbs.	kg
	A	B	D	L	W	H	DB	DL	in.	mm	in.	mm	in.	mm	in.	mm		
3C 16 X 20 2 18 X	16	406	20	508	12	305	88	2235	25.8	656	44.8	1137	L & R	18 457	13 330	216	98	
3C 18 X 18 2 18 X	18	457	18	457	12	305	94	2388	23.8	605	44.8	1137	L & R	18 457	12 305	224	101	
3C 18 X 18 2 24 X	18	457	18	457	12	305	106	2692	23.8	605	44.8	1137	L & R	24 610	12 305	239	108	
3C 18 X 24 2 18 X	18	457	24	610	12	305	94	2388	29.8	757	44.8	1137	L & R	18 457	15 381	248	112	
3C 18 X 24 2 24 X	18	457	24	610	12	305	106	2692	29.8	757	44.8	1137	L & R	24 610	15 381	264	120	
3C 20 X 28 2 20 X	20	508	28	508	12	305	104	2642	33.8	859	44.8	1137	L & R	20 508	17 432	283	129	
3C 20 X 28 2 24 X	20	508	28	508	12	305	112	2845	33.8	859	44.8	1137	L & R	24 610	17 432	293	133	
*3C 24 X 24 2 24 X	24	610	24	610	12	305	124	3150	29.8	757	44.8	1137	L & R	24 610	15 381	307	139	

\*Note: 24X24 Bowls, come with two set of faucet holes, centered between the dividers.

