

Muffin Toaster Model: MT-12



MT-12

The MT-12 Muffin Toaster produces up to 12 slices (six complete muffins) at one time. A temperature sensing control measures internal temperatures in the toasting chamber and adjusts time accordingly. This produces perfectly toasted English muffins with the consistency you need to satisfy customers.

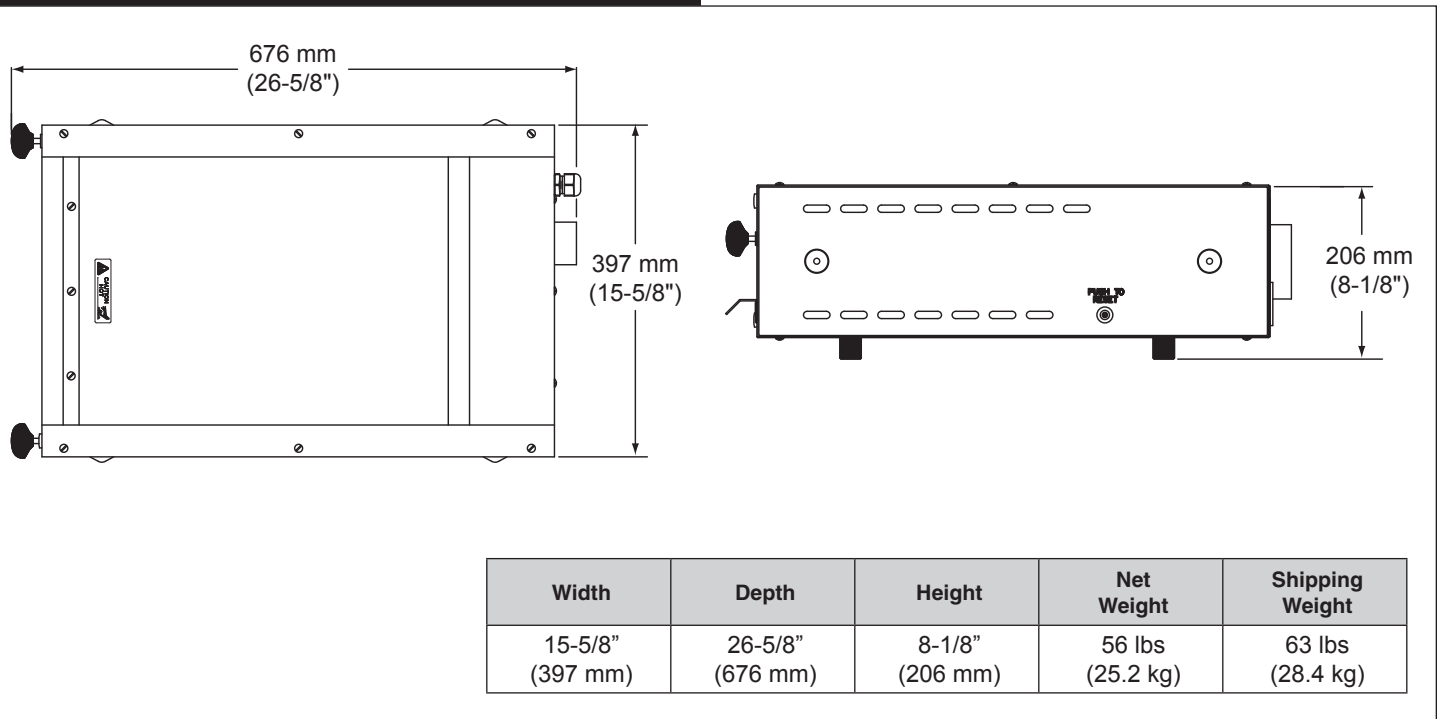
Built with the highest quality materials the MT-12 has an energy conservation mode that reduces power when the toasting chamber is empty, and a partial load switch for toasting less than a full batch during non-peak hours.

Features:

- Toasts 324 English Muffins Per Hour. Up To Six English Muffins (12 Slices) At One Time
- Temperature Sensing Control Measures Internal Temperature of the Toasting Chamber and Adjusts Time Accordingly to Produce Perfectly Toasted English Muffins
- Partial Load Switch For Those Times When Toasting Three or Less Muffins
- Energy Conservation Model Automatically Reduces Power Consumption by 75% When Toasting Chamber is Empty
- Stainless Steel and Aluminum Construction
- Toaster Alerts Operator With An Audible Signal and a Ready Light When Muffins Are Done



Dimensions



Electrical Ratings & Plug Configurations

Model & Mfg. Number	Volts	Watts	Amps	Hertz	Plug Description	Configuration
MT-12 9200139 (Australia)	220-240	3400	15.4 - 14.2	50/60	AS3112 Australian Plug 20 Amp., 250 VAC.	
MT-12 9200146 (U.S. & Canada)	208	3400	16.3	50/60	Straight Twist Lock L6-20P, 20 Amp., 250 VAC	
MT-12 9200148 (Europe)	220-240	3400	15.5 - 14.2	50/60	Pin & Sleeve IEC-309 16 Amp., 230 VAC (Europe)	

Electrical

- Timers:** Solid State
- Time Range:** Temperature compensated
- Temperature Control:** Solid State
- Power Cord:** Six foot (183 meter) three wire power cord supplied
- Construction:** Stainless Steel and Aluminum
- Crumb Tray:** Removable for cleaning
- Shipping Weight:** 27.8 kilos (59 lbs.)



A.J. Antunes & Co.
 Headquarters/Manufacturing
 180 Kehoe Boulevard
 Carol Stream, Illinois 60188 USA
 Phone (630) 784-1000
 Toll Free (800) 253-2991
 Fax: (630) 784-1650

Antunes Equipment
 Manufacturing (Suzhou) Ltd.,
 9 Hou Ju Road, Building #24,
 S&T Park, SND
 Suzhou, Jiangsu, China 215011
 Phone: 86-512-6841-3637
 Fax: 86-512-6841-3907

www.ajantunes.com