



CATALOG OF REPLACEMENT PARTS

EDGE 12-11 Slicer

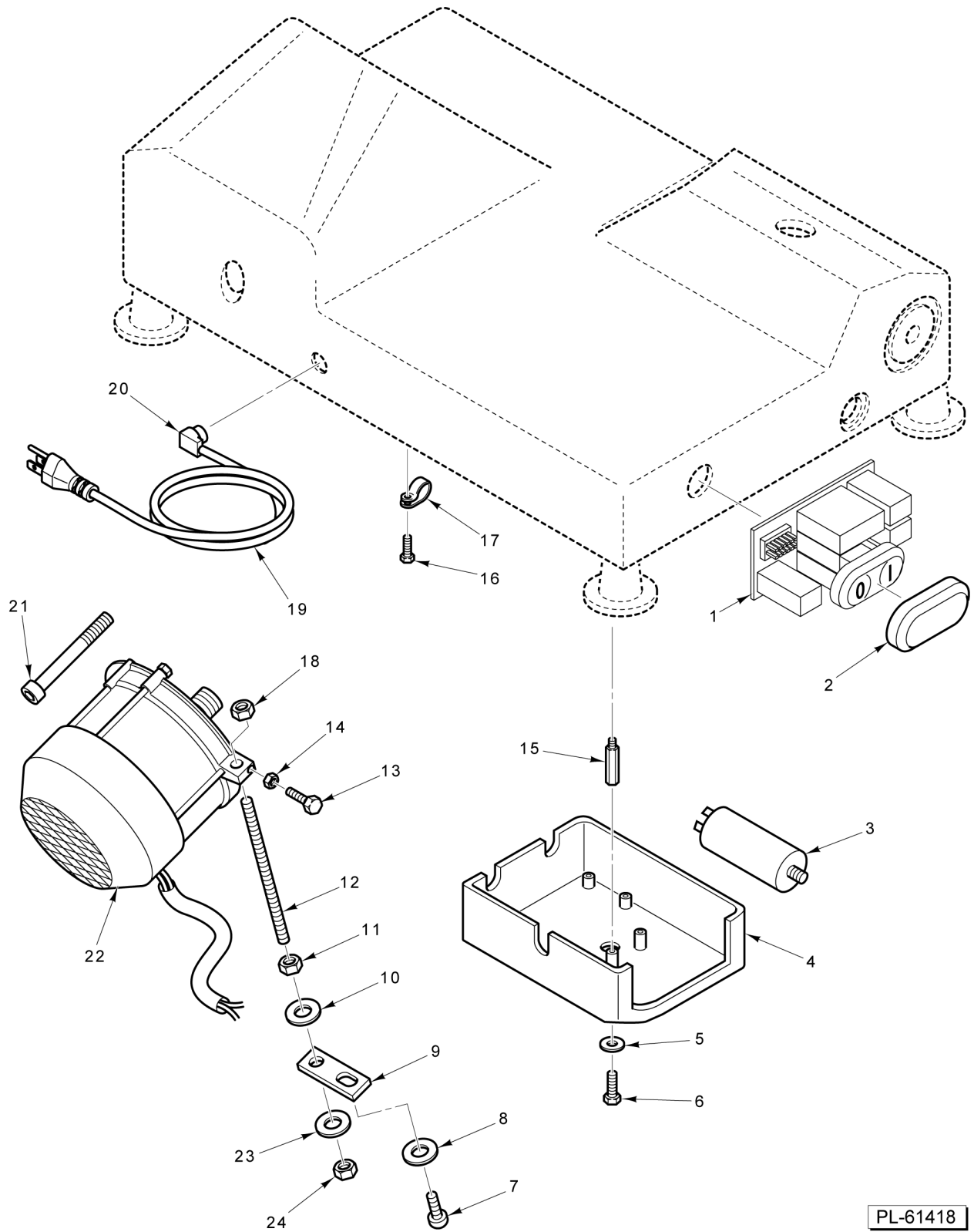


ML-136345

Edge 12-11

Table of Contents

5	ELECTRICAL COMPONENTS
7	TRANSMISSION, KNIFE AND BASE ASSEMBLY
9	GAUGE PLATE AND INDEX ASSEMBLY
11	CARRIAGE ASSEMBLY
13	PRODUCT TRAY AND MEAT GRIP
15	SHARPENER ASSEMBLY

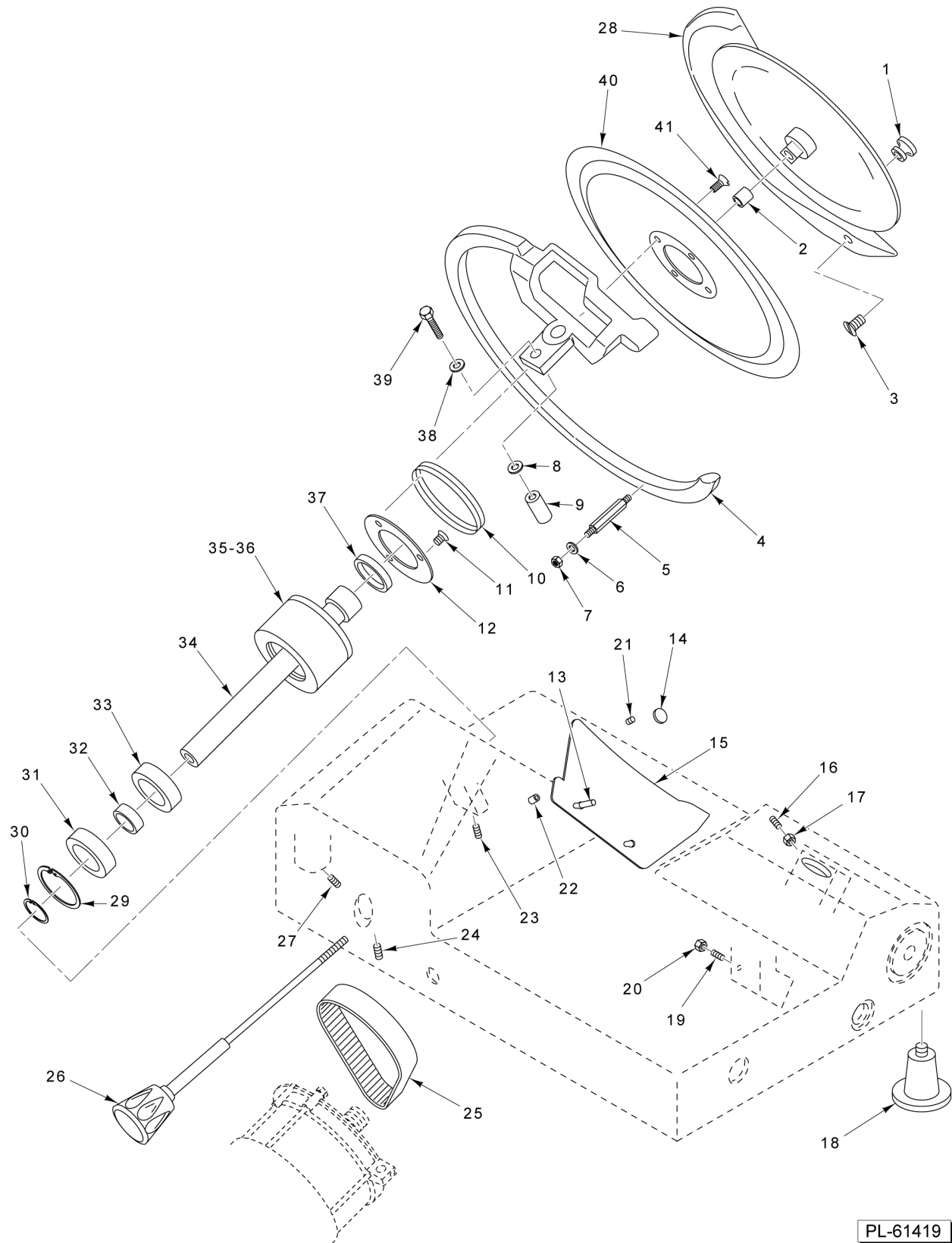


PL-61418

ELECTRICAL COMPONENTS

ELECTRICAL COMPONENTS

ILLUS.	PART NO.	NAME OF PART	AMT.
PL-61418			
1	00-915954	Switch - Circuit Bd. Assy.....	1
2	00-915955	Boot - Switch.....	1
3	00-915502	Capacitor (18mF).....	2
4	00-915501	Box - Protection.....	1
5	00-915499	Washer.....	2
6	01-400825-00021	Screw.....	2
7	01-40823E-10034	Screw.....	1
8	01-400825-00006	Washer.....	1
9	01-400825-00055	Plate.....	1
10	01-400825-00006	Washer.....	1
11	01-40300M-00098	Nut.....	1
12	00-915507	Rod - Tie (Motor).....	1
13	00-915612-00003	Screw.....	1
14	01-402101-07041	Nut.....	1
15	00-915500	Spacer.....	1
16	00-915612-00004	Screw.....	1
17	00-915508	Clamp.....	1
18	01-40300M-00098	Nut.....	1
19	00-915498	Cord - Power (120 V.).....	1
20	00-915497	Plate - Locking.....	1
21	00-915505	Pin - Motor.....	1
22	00-915512	Motor (220-240 V., 50-60 Hz., 1 Ph.).....	1
23	01-400825-00006	Washer.....	1
24	01-40300M-00098	Nut.....	1

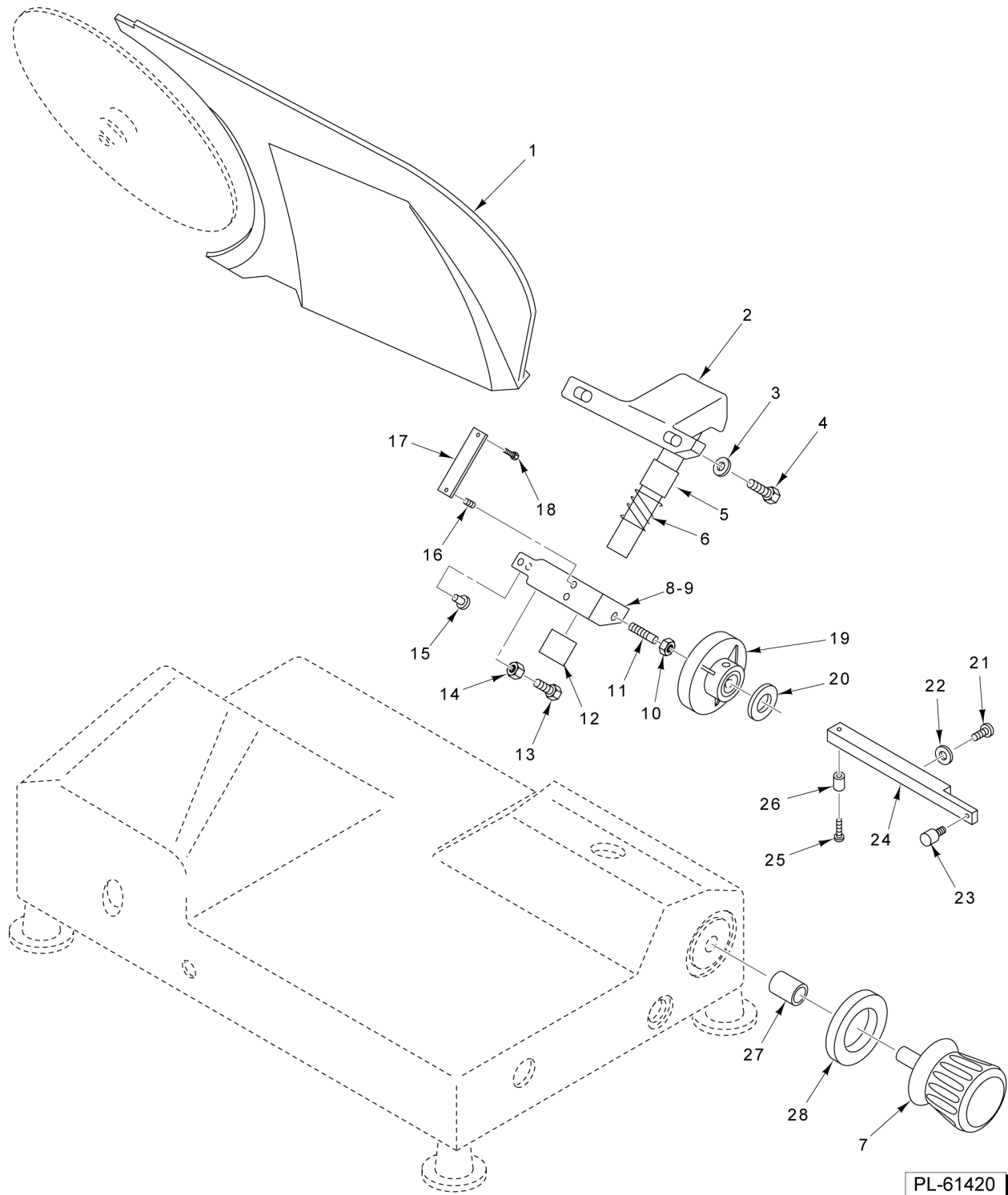


PL-61419

TRANSMISSION, KNIFE AND BASE ASSEMBLY

TRANSMISSION, KNIFE AND BASE ASSEMBLY

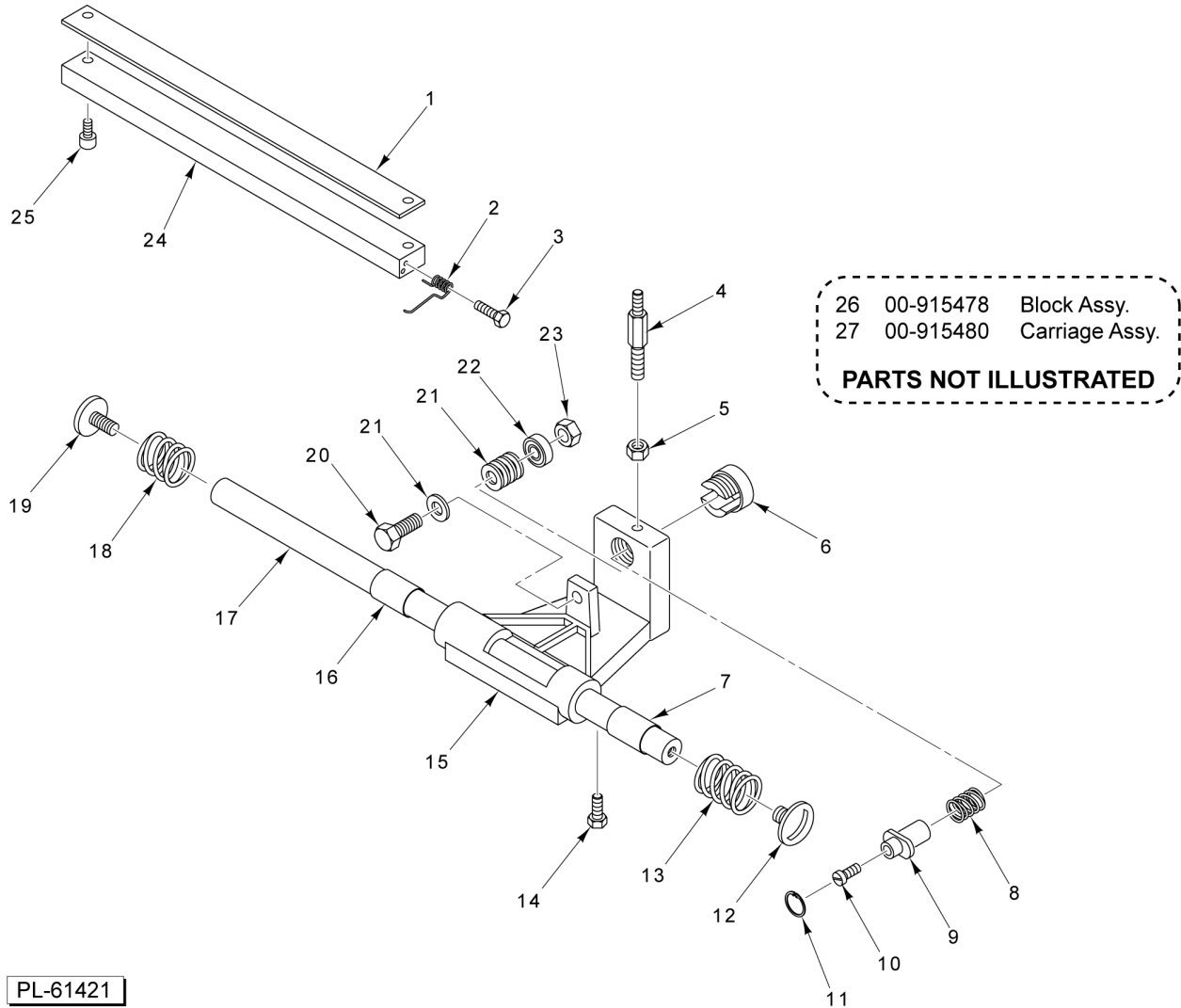
ILLUS.	PART NO.	NAME OF PART	AMT.
PL-61419			
1	01-400823-00403	Knob - Knife Cover (Aluminum).....	1
2	01-400825-00135	Insert - Cover.....	1
3	01-400825-00021	Screw.....	1
4	00-915425	Guard - Ring (Knife).....	1
5	00-915427	Spacer - Ring.....	2
6	00-915612-00001	Washer.....	2
7	00-915612-00002	Nut.....	2
8	01-40829A-10012	Washer.....	1
9	00-915426	Support - Ring Guard.....	1
10	00-915428	V-Ring (Rubber).....	1
11	01-400825-00402	Screw.....	3
12	00-915429	Flange (SST).....	1
13		Pin (Included in Item 14).....	1
14	00-915629	Deflector Knob & Pin Assy.....	1
15	01-40827A-10000	Deflector - Slicer.....	1
16	01-400827-00086	Set Screw.....	1
17	01-402101-07041	Nut.....	1
18	00-915442	Foot - Rubber.....	4
19	01-400827-00086	Set Screw.....	1
20	01-402101-07041	Nut.....	1
21	00-915869	Pin - Slice Deflector.....	1
22	01-400825-00135	Insert - Cover.....	1
23	01-400827-00078	Set Screw.....	1
24	01-400827-00078	Set Screw.....	1
25	01-400827-0066B	Belt - Ribbed (Flat).....	1
26	00-915440	Tie Rod Assy. (Grey).....	1
27	01-400825-00086	Set Screw Screw.....	1
28	00-915423	Cover - Knife.....	1
29	01-400825-00071	Retaining Ring.....	1
30	01-400825-00072	Retaining Ring.....	1
31	00-915433	Bearing.....	1
32	00-915434	Spacer.....	1
33	00-915433	Bearing.....	1
34	00-915432	Shaft - Pulley.....	1
35	00-915431	Pulley.....	1
36	00-915443	Pulley Assy. (Incls. Items 29 thru 35 & 37).....	1
37	00-915430	Ring (Rubber).....	1
38	01-40829A-10012	Washer.....	1
39	00-915612-00007	Screw.....	1
40	00-915424	Knife (300mm).....	1
41	01-400827-00074	Screw - Knife.....	4



GAUGE PLATE AND INDEX ASSEMBLY

GAUGE PLATE AND INDEX ASSEMBLY

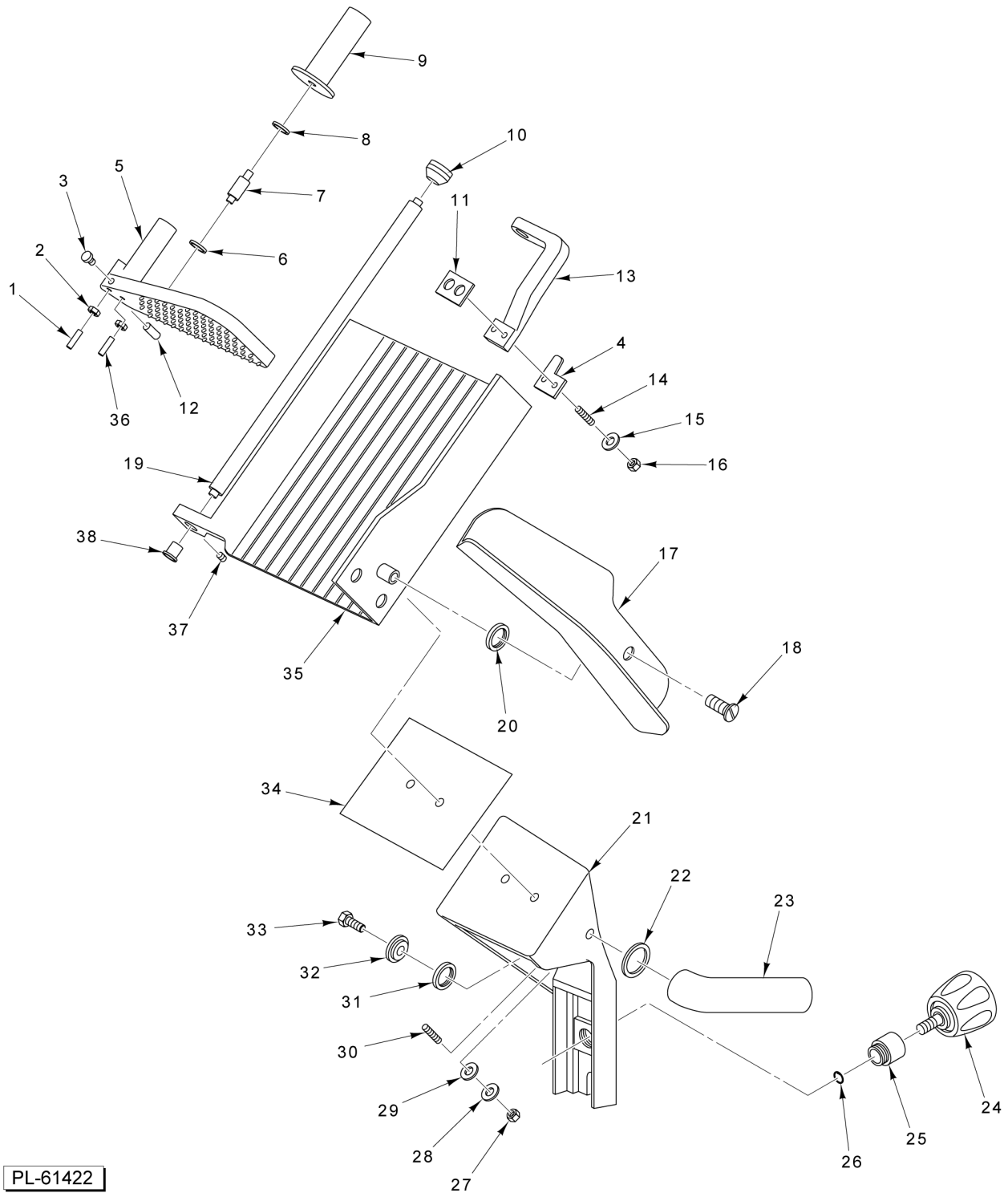
ILLUS.	PART NO.	NAME OF PART	AMT.
PL-61420			
1	00-915481	Plate - Gauge.....	1
2	00-915482	Support - Gauge Plate.....	1
3	01-403301-03812	Washer.....	2
4	01-400825-00089	Screw.....	2
5	00-915483	Bushing.....	1
6	00-915484	Spring.....	1
7	00-915490	Index Knob (Grey).....	1
8	00-915495	Support Assy. (Incls. Items 9 thru 15).....	1
9	00-915486	Support.....	1
10	01-40300M-00098	Nut.....	1
11	00-915488	Pin - Cam.....	1
12	00-915483	Bushing.....	1
13	01-400827-00028	Screw (Brass).....	1
14	01-402101-07041	Nut.....	1
15	01-400825-00030	Pin.....	1
16	01-400827-00031	Set Screw.....	2
17	01-400827-00026	Plate.....	1
18	01-400827-00032	Screw.....	2
19	01-400827-00025	Cam.....	1
20	01-400827-00095	Washer - Spring.....	1
21	01-40829A-10020	Screw.....	1
22	00-915612-00001	Washer.....	1
23	00-915493	Pin.....	1
24	00-915494	Plate.....	1
25	01-400827-00032	Screw.....	2
26	00-915492	Bushing.....	1
27	00-915491	Bushing.....	1
28	01-40829A-10023	Washer.....	1



CARRIAGE ASSEMBLY

CARRIAGE ASSEMBLY

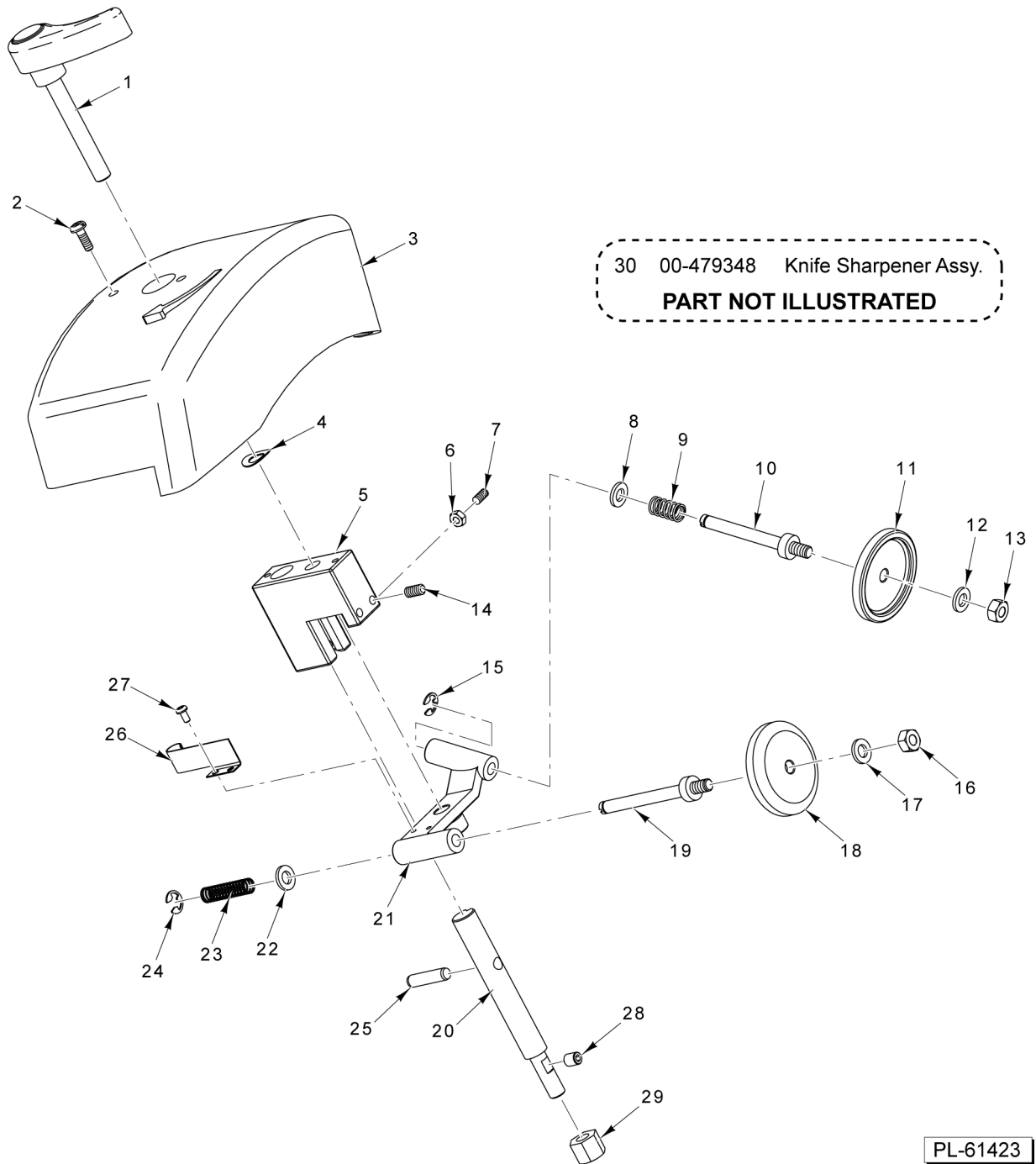
ILLUS. PL-61421	PART NO.	NAME OF PART	AMT.
1	00-915466	Plate - Lexan.....	1
2	00-915467	Spring.....	1
3	01-400827-00028	Screw (Brass).....	1
4	00-915468	Product Table Support.....	1
5	00-915612-00002	Nut.....	1
6	00-915475	Bushing (Aluminum).....	1
7	00-915472	Bushing.....	1
8	00-915476	Spring.....	1
9	00-915477	Bushing.....	1
10	01-40829A-00606	Screw (Nylon).....	1
11	01-40829A-00600	Retaining Ring.....	1
12	01-400827-00050	Screw - Round Rail.....	1
13	00-915474	Spring.....	1
14	01-400827-00129	Screw (Nylon).....	1
15	00-915473	Carriage.....	1
16	00-915472	Bushing.....	1
17	00-915470	Bar - Round.....	1
18	00-915471	Spring.....	1
19	01-400827-00050	Screw - Round Rail.....	1
20	01-400827-00017	Screw.....	1
21	01-402101-08010	Washer.....	4
22	00-915469	Bearing.....	1
23	01-4000CU-00008	Nut.....	1
24	00-915465	Bar - Square.....	1
25	01-400827-00021	Screw.....	2
26	00-915478	Block Assy. (CE).....	1
27	00-915480	Carriage Assy. (Incls. Items 4 thru 7, 16, & 20 thru 24).....	1



PRODUCT TRAY AND MEAT GRIP

PRODUCT TRAY AND MEAT GRIP

ILLUS. PL-61422	PART NO.	NAME OF PART	AMT.
1	00-913174	Pin.....	1
2	01-40330M-00578	Nut M6 (SST).....	2
3	01-400825-00030	Pin.....	1
4	00-938502	Hook - Meat Hook.....	1
5	00-915479	Meat Pusher Assy. (Incls. Items 1 thru 4, 12, & 36).....	1
6	00-915449	Gasket - Handle.....	1
7	00-915450	Spacer.....	1
8	00-915449	Gasket - Handle.....	1
9	00-915451	Handle - Pusher (Grey).....	1
10	00-915455	Knob.....	1
11	00-915456	Gasket - Extension.....	1
12	01-400827-00082	Wear Pad (Plastic).....	1
13	00-915702	Bracket - Extension (Grey).....	1
14	00-915612-00009	Screw.....	2
15	01-40829A-10019	Washer.....	2
16	00-915612-00008	Nut.....	2
17	00-915268	Guard - Thumb.....	1
18	00-915612-00010	Screw.....	3
20	00-915275	Washer (Rubber).....	3
21	00-915462	Support - Tray.....	1
22	00-915458	Gasket - Carriage Handle.....	1
23	00-875345	Handle - Carriage.....	1
24	00-915464	Knob - Carriage.....	1
25	00-915463	Bushing (Aluminum).....	1
26	01-40829A-10028	Retaining Ring.....	1
27	00-915612-00002	Nut.....	2
28	01-40827A-10011	Washer (Aluminum).....	2
29	01-40823E-10014	Washer - Gasket (Rubber).....	2
30	00-915612-00012	Set Screw.....	2
31	01-40823E-10014	Washer - Gasket (Rubber).....	1
32	01-40827A-10011	Washer (Aluminum).....	1
33	01-400825-00089	Screw.....	1
34	00-915461	Gasket.....	1
35	00-915459	Tray - Product.....	1
36	00-915445	Pin Spacer (Plastic).....	1
37	00-915612-00011	Set Screw.....	1
38	00-915452	Bushing.....	1
19	00-915454	Rod.....	1



SHARPENER ASSEMBLY

SHARPENER ASSEMBLY

ILLUS.	PART NO.	NAME OF PART	AMT.
PL-61423			
1	00-479347	Knob - Sharpener Assy.....	1
2	00-915612-00013	Screw.....	2
3	00-479342	Cover - Sharpener.....	1
4	SL-005-09	Spring - Loading.....	1
5	00-479337	Mount - Sharpener.....	1
6	00-915612-00015	Nut.....	1
7	00-915612-00019	Set Screw.....	1
8	01-40829A-10019	Washer.....	1
9	00-479400	Spring - Grinding.....	1
10	00-479339	Shaft - Sharpener.....	1
11	00-479341	Wheel - Grinding.....	1
12	01-40829A-10019	Washer.....	1
13	00-915612-00020	Nut.....	1
14	00-915612-00021	Set Screw.....	2
15	00-915612-00022	Retaining Ring.....	1
16	00-915612-00020	Nut.....	1
17	01-40829A-10019	Washer.....	1
18	00-479398	Wheel - Truing.....	1
19	00-479340	Shaft - Truing.....	1
20	00-479343	Shaft - Sharpener.....	1
21	00-479338	Arm - Sharpener.....	1
22	01-40829A-10019	Washer.....	1
23	00-479345	Spring - Truing.....	1
24	00-915612-00022	Retaining Ring.....	1
25	00-915496	Pin.....	1
26	00-479344	Spring - Return.....	1
27	00-915612-00018	Screw.....	2
28	00-915612-00017	Set Screw.....	1
29	00-915612-00016	Nut.....	1
30	00-479348	Knife Sharpener Assy. (Incls. Items 1 thru 29).....	1

