



Project \_\_\_\_\_  
 AIA # \_\_\_\_\_ SIS # \_\_\_\_\_  
 Item # \_\_\_\_\_ Quantity \_\_\_\_\_ C.S.I. Section 114000



# LXeC CHEMICAL SANITIZING Undercounter Dishwashing Machine



## STANDARD FEATURES

- + 34 racks per hour
- + .74 gallons of water per rack
- + Accommodates optional second level rack kit
- + Chemical sanitization unit
- + Low chemical alert indicators
- + Delime notification with cycle
- + Chemical pump “auto-prime”
- + Advanced service diagnostics
- + Deep drawn stainless steel tank
- + Top mounted digital controls with status indicators
- + Revolving upper and lower interchangeable anti-clogging wash arms
- + Revolving upper and lower interchangeable rinse arms
- + Removable stainless steel scrap screen
- + Corrosion resistant pump
- + Automatic pumped drain
- + 17" door opening
- + Automatic fill
- + Detergent, rinse aid and sanitizer pumps standard
- + Electric tank heat
- + Two dishracks – one peg and one combination rack



## SPECIFIER STATEMENT

Specified unit will be a NSF rated chemical sanitizing undercounter dishwasher operating on a hot water supply only with a 17" door opening. Features second level racking with optional second level rack kit, low chemical and delime notifications, .74 gallons per rack, LED temp and operator display, service diagnostics, detergent, sanitizer and rinse aid pumps. Constructed of stainless steel.

**1-year parts and labor warranty.**

## OPTIONS & ACCESSORIES (Available at extra cost)

- Second level rack kit
- Power cord kits
- Stainless steel base with 6" legs
- 17" stainless steel stand with storage
- External low height caster kit
- Internal caster kit (3")
- DWT-LXe drain water tempering kit – to comply with plumbing codes
- Splash reduction panels
- Water hammer arrestor kit
- Pressure regulator valve

LXe SERIES – LXeC CHEMICAL SANITIZING

Approved by \_\_\_\_\_ Date \_\_\_\_\_ Approved by \_\_\_\_\_ Date \_\_\_\_\_



# LXeC CHEMICAL SANITIZING Undercounter Dishwashing Machine

## LEGEND

Electrical Connections	
E1	Electrical connection: 1-3/8" dia. hole for 1" trade size conduit; 4-5/8" AFF.
Plumbing Connections	
P1	Single fill and rinse connection: 3/4" female garden hose fitting on 6' long hose supplied with machine; 120°F water min. for LXeC, 140°F recommended.
P2	Drain connection: 5/8" barb fitting with 6' long hose supplied with machine.

**WARNING:** Plumbing and electrical connections should be made by qualified personnel who will observe all the applicable plumbing, sanitary, safety codes and National Electrical Code.

Required flowing pressure to the dishmachine is 15-65 PSIG. If pressures higher than 65 PSIG are present, a pressure regulating valve must be installed in the water line to the dishmachine (by others).

Pressure gauge not required on pumped rinse machines.

Miscellaneous Notes: Backflow prevention provided by NSF-approved air gap device.

## (E1) STANDARD ELECTRICAL OPTIONS

Tank Heat, Booster, Pump & Controls			
Voltage	Rated Amps	Minimum Supply Circuit Ampacity	Maximum Protective Device
120/60/1	13.4	20	20

NOTE: For supply connections, use copper wire only rated at 90°C minimum. Accessory cord kit available for all machines. Dishmachine not provided with internal GFCI protection.

## SPECIFICATIONS

### Capacities

Cycle Time (seconds)	105
Racks per Hour	34
Tank Capacity – Gallons	2.9

### Motor Horsepower

Wash	0.85
Rinse	0.19

### Water Consumption

U.S. Gallons per Rack (maximum use)	0.74
U.S. Gallons per Hour (maximum use)	25.0
Peak Drain Flow – U.S. Gallons (gallons per minute)	4.0

### Temperatures °F

Incoming Water Temperature (minimum recommended)	120
--	-----

### Heating

Tank Heat, electric (kW)	1.8
--------------------------	-----

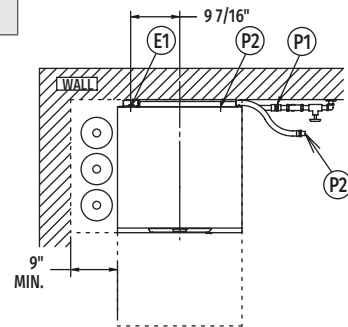
### Standard 20" x 20" (508 x 508) Rack Complement

Flat	1
Peg	1

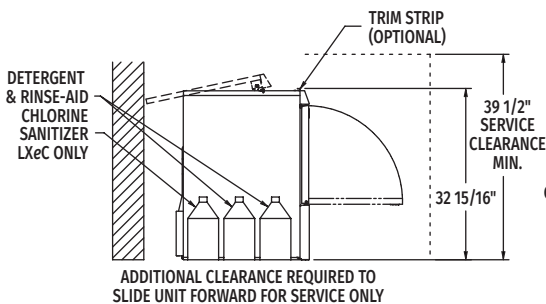
Shipping Weight (approximate) . . . . . 170 lbs.

Crated Dimensions . . . . . 28"W x 30"L x 37"H

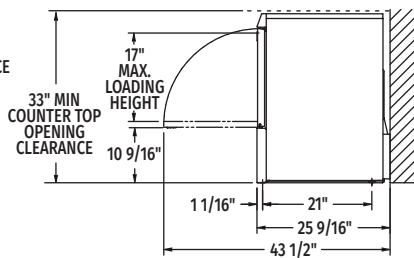
Heat Output, BTU/Hour	
Latent	Sensible
1,900	800



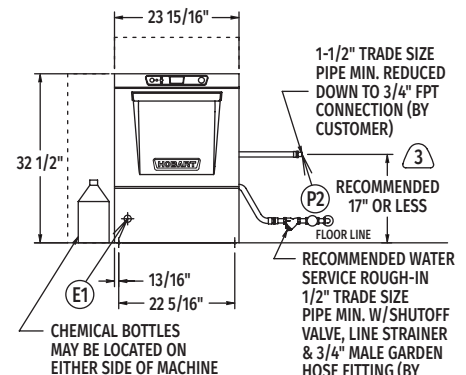
Top View



Left Side View



Right Side View



Front View

MODEL:  
LXeC  
00-947871  
REV C

As continued product improvement is a policy of Hobart, specifications are subject to change without notice.

