



Project _____
 AIA # _____ SIS # _____
 Item # _____ Quantity _____ C.S.I. Section 114000



AM16VL-ADV advansys[®] ELECTRIC High Temperature Ventless Door-Style Dishwashing Machine



SPECIFIER STATEMENT

Specified unit will be a Hobart AM16 Advansys™ electric high temperature ventless dishwashing machine. Features include drain water energy recovery, automatic soil removal, 5-sided insulated hood, ventless operation and energy recovery, door lock, touchscreen controls with WiFi connectivity, NSF pot and pan rating for 2-, 4- & 6-minute cycles, 17" door opening, pumped drain, auto door start with auto fill, interchangeable stainless steel rinse arms and X-shaped wash arms, auto delime, advanced diagnostics and service connection, up to 40 racks per hour, .67 U.S. gallons per rack pumped final rinse.

1 year parts and labor warranty.

STANDARD FEATURES

- + .67 gallons per rack pumped final rinse
- + 40 racks per hour – hot water sanitizing
- + Drain water energy recovery (DWER)
- + Automatic soil removal (ASR)
- + Ventless energy recovery
- + Pillarless opening
- + 5-sided insulated hood
- + User-friendly smart touchscreen controls
- + Single point electrical connection standard, field convertible to dual point connection
- + 3 phase standard, field convertible to single phase
- + WiFi connectivity
- + SmartConnect app and cloud with machine status, temperature logs, error code reporting, and cost, consumption and usage analysis
- + Temperature and chemical lock outs (with Hobart equipped chemical pumps)
- + Pumped drain
- + Door lock
- + Timed wash cycles for 1, 2, 4 or 6 minutes
- + NSF pot and pan rating for 2-, 4- & 6- minute cycles
- + Sense-A-Temp™ 70°F rise electric booster heater
- + Self-draining, high efficiency wash pump with stainless steel impeller
- + 17" door opening
- + Stainless steel drawn tank, tank shelf, chamber, trim panels, frame and feet
- + Spring counterbalanced chamber with reinforced, thermo-plastic rollers
- + X- shaped revolving, interchangeable upper and lower anticlogging wash arms
- + Revolving, interchangeable upper and lower rinse arms
- + Slanted, self-locating, one-piece scrap screen and basket system
- + Automatic fill
- + Door actuated start
- + AutoClean
- + Factory installed drain water tempering kit
- + Factory startup
- + Service diagnostics
- + Straight-through or corner installation
- + Auto delime

OPTIONS & ACCESSORIES (Available at extra cost)

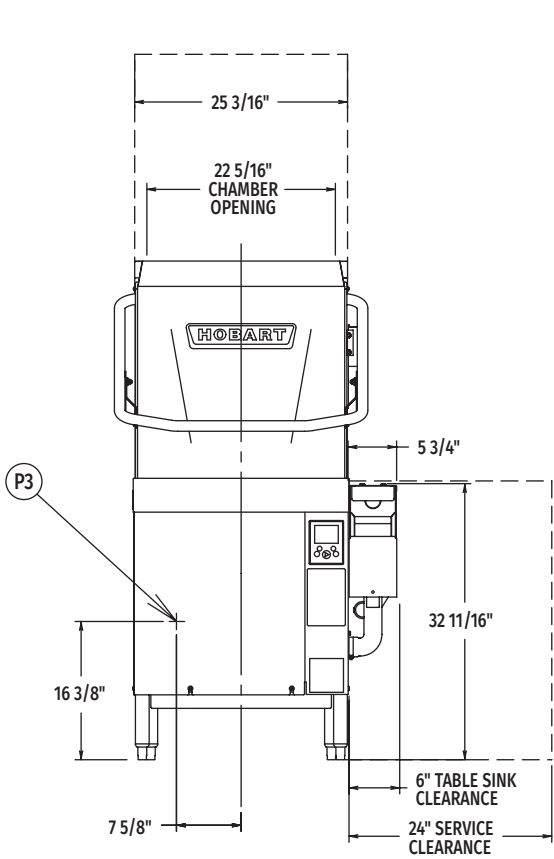
- Peg rack
- Combination rack
- ASR left hand conversion kit
- Chemical pumps
- Splash shield for corner installations
- Flanged and seismic feet
- Water hammer arrestor kit
- Rapid fill kit
- Sink integration kit
 - Sink saddle & 3" leg extension
 - Sink rail kit
 - Fold down table

AM16 SERIES – AM16VL-ADV advansys[®] ELECTRIC

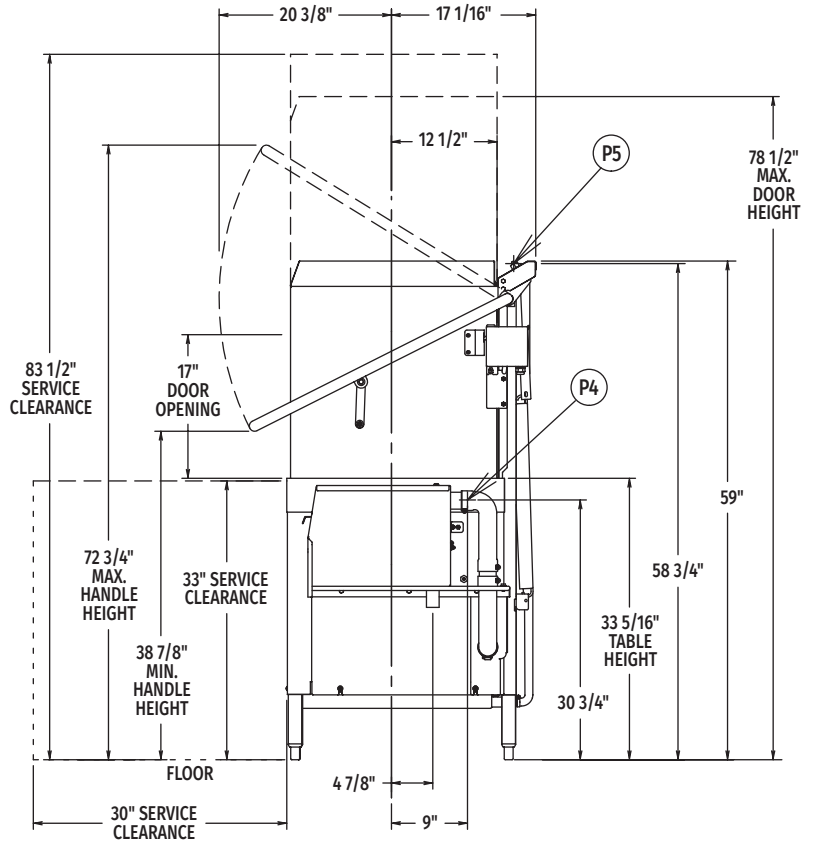
Approved by _____ Date _____ Approved by _____ Date _____



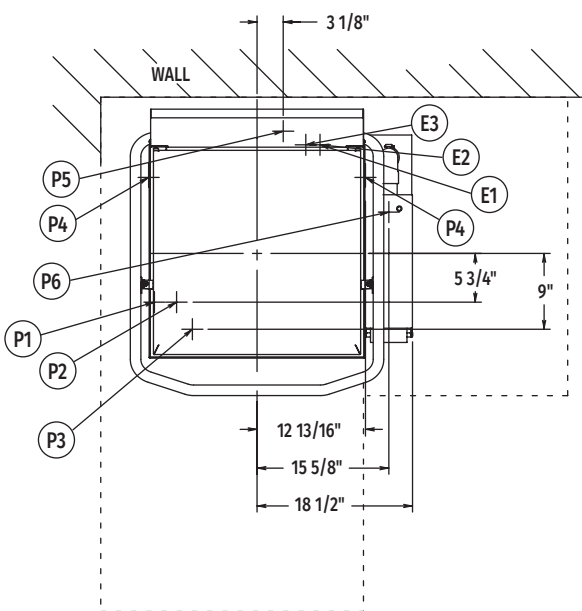
AM16VL-ADV *advansys* ELECTRIC High Temperature Ventless Door-Style Dishwashing Machine



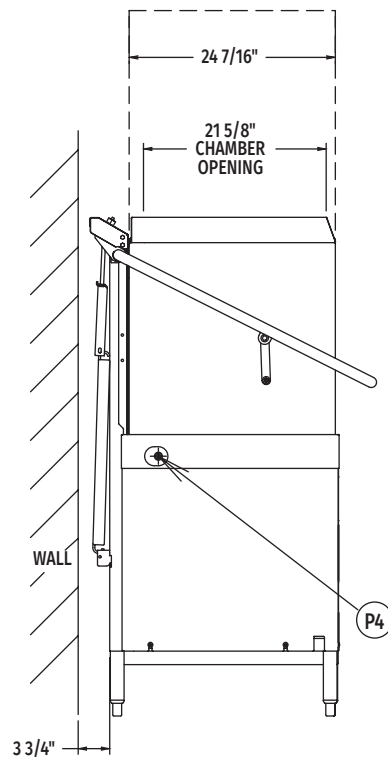
Front View



Right Side View



Top View



Left Side View

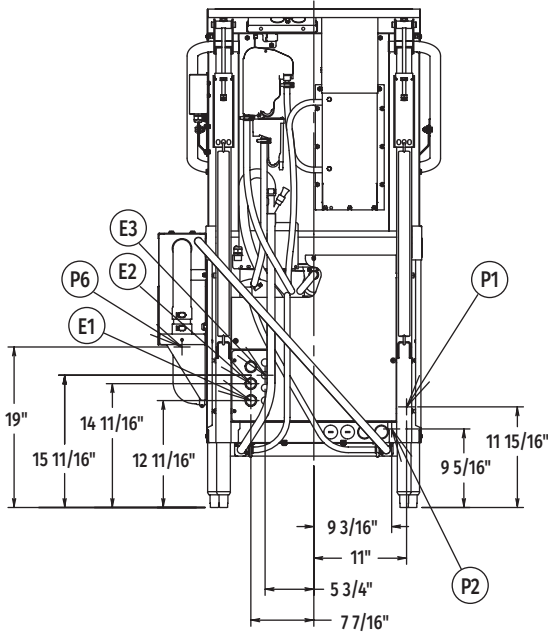
MODEL:
AM16VL-ADV
E-950440



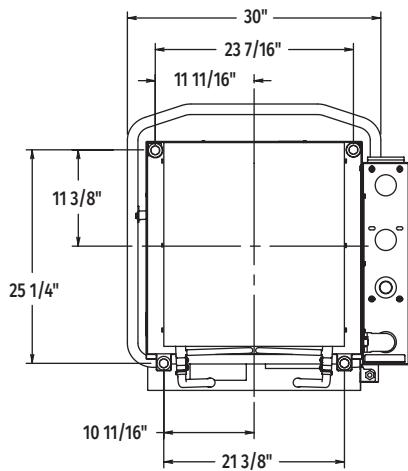
AM16VL-ADV *advansys* ELECTRIC High Temperature Ventless Door-Style Dishwashing Machine

WARNING: Electrical and grounding connections must comply with the applicable portion of the National Electrical Code and/or other local electrical codes.

Plumbing connections must comply with applicable sanitary, safety, and plumbing codes.



Rear View



Bottom View

LEGEND

| Electrical Connections | |
|------------------------|---|
| E1 | Electrical connection: wash pump motor & sump heater, 1" or 3/4" conduit hole; 12-11/16" AFF. |
| E2 | Electrical connection: electric booster & controls only or single point electrical connection (3PH only) 1" or 3/4" conduit hole; 14-11/16" AFF. |
| E3 | Electrical connection: detergent & rinse agent feeders, (DPS1 & DPS2) 1.5 amps @ nameplate supply voltage, (RPS1 & RPS2) 1.5 amps @ nameplate supply voltage; 1/2" conduit hole, 15-11/16" AFF. |
| Plumbing Connections | |
| P1 | Common water connection including booster heater: 55°F water minimum, 15-65 PSI recommended; 3/4" female garden hose fitting on 6' long hose supplied with machine; 11-15/16" AFF. |
| P2 | Optional – hot water connection: 110°F water minimum (rapid fill accessory - when ordered); 3/4" female garden hose fitting on 6' long hose; 9-5/16" AFF. |
| P3 | Detergent probe sensor: remove cap and stud assembly to access 7/8" hole; 16-3/8" AFF. |
| P4 | Detergent feeder: two location available; remove cap and stud assembly to access 7/8" hole; 30-3/4" AFF. |
| P5 | Rinse agent feeder: remove 1/8" NPT pipe plug to access 1/8" NPT tapped hole; 58-3/4" AFF. |
| P6 | Drain connection: includes machine drain & drain water tempering (LH ASR accessory drain location on opposite side); 1-1/2" stainless steel tube fitting 19" AFF. |

SPECIFICATIONS

Capacities

| | |
|--|-------|
| Racks Per Hour (maximum) | 40 |
| Dishes per Hour (average 25 per rack) | 1,000 |
| Glasses per Hour (average 45 per rack) | 1,800 |
| Wash Tank (U.S. gallons) | 10.5 |

Motor Horsepower

| | |
|------------|------|
| Rinse Pump | 0.18 |
| Wash Pump | 2 |
| ASR Pump | 0.18 |
| Drain Pump | 0.21 |
| Blower | 0.05 |

Rinse

| | |
|--|------|
| Gallons per Rack | 0.67 |
| Gallons per Hour (maximum consumption) | 26.8 |

Peak Rate of Drain Flow

| | |
|--|------|
| Gallons per Minute (initial rate with full tank) | 18.5 |
|--|------|

Heating

| | |
|----------------------------|-----|
| Electric Booster (kW) | 7.1 |
| Electric Heating Unit (kW) | 5.4 |

Shipping Weight (approximate) 377 lbs.

Crated Dimensions 65.125"H x 36.5"W x 36.5"L



AM16VL-ADV *advansys* ELECTRIC

High Temperature Ventless Door-Style Dishwashing Machine

| E1 AM16 with Electric Heat (When Field Converted to Dual Point) | | | |
|--|------------|---------------------------------|---------------------------|
| Voltage | Rated Amps | Minimum Supply Circuit Ampacity | Maximum Protective Device |
| 208-240/60/1 | 39.6 | 50 | 50 |
| 208-240/60/3 | 26.9 | 30 | 30 |

| E2 9.5 kW Booster & Controls (When Field Converted to Dual Point) | | | |
|--|------------|---------------------------------|---------------------------|
| Voltage | Rated Amps | Minimum Supply Circuit Ampacity | Maximum Protective Device |
| 208-240/60/1 | 42.3 | 50 | 50 |
| 208-240/60/3 | 25.6 | 30 | 30 |

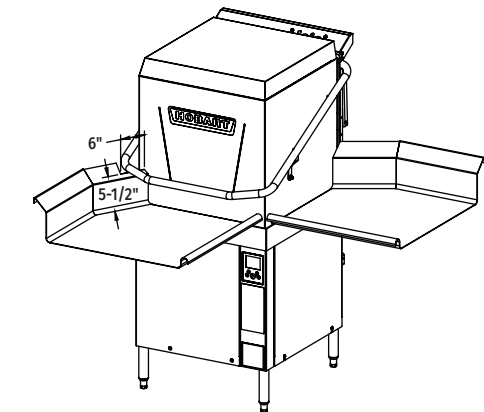
| E2 AM16 Single Point Electrical Service Connect as Shown Below | | | |
|---|------------|---------------------------------|---------------------------|
| Voltage | Rated Amps | Minimum Supply Circuit Ampacity | Maximum Protective Device |
| 208-240/60/3 | 52.5 | 60 | 60 |

| Approximate Heat Gain to Space without Vent Hood | |
|---|---------|
| Type | BTU/Hr. |
| Latent | 3,200 |
| Sensible | 3,700 |

Miscellaneous Notes: All dimensions taken from floor line may increase 7/8" or decrease 3/8" depending on leg adjustment.
Vent hood (if required) to provide a minimum 450 CFM exhaust (ref installation instructions).
Net weight of machine including booster: 360 lbs.
Domestic shipping weight including booster: 380 lbs.
Size of racks – 19³/₄" x 19³/₄".

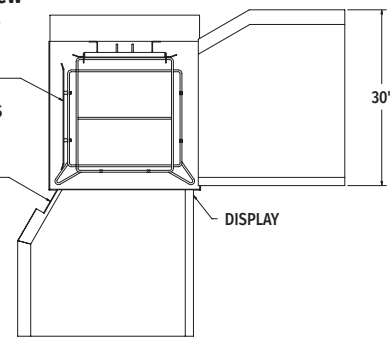
Plumbing Notes: Water hammer arrestor (meeting ASSE-1010 standard or equivalent) to be supplied (by others) in common water supply line at service connection.
Recommended water hardness to be 3 grains or less for best results.
Recommended building flowing water pressure to the dishwasher at or above 20 PSI. Pressures lower than 20 PSI may affect machine fill/start-up times.
This is a pumped rinse machine. Pressure regulating valve is not necessary on hot or cold lines.
For convenience when cleaning, water tap should be installed near machine with heavy duty hose and squeeze valve.

AM16VL-ADV TABLING CONFIGURATIONS AND TRACK DESIGN

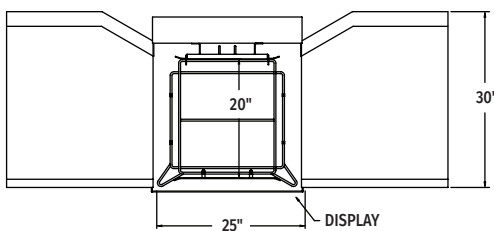


Top Inside View of Machine

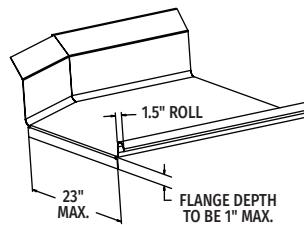
NOTE: REPOSITION RACK TRACK BRACKET FOR CORNER INSTALLED UNITS
NOTCH FOR HANDLE CLEARANCE: 6" WIDE x 5 1/2" TALL MEASURED FROM TABLE SURFACE



Standard Height Corner Installation

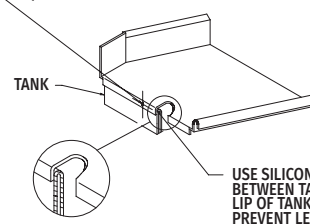


Pass Thru Installation



Suggested Table Design

DRILL Ø 0.344 HOLE THRU TANK WALL
5/16-18 SST TRUSS HD SCREW
5/16-18 SST LOCKWASHER
5/16-18 SST HEX HD NUT



USE SILICONE SEALER BETWEEN TABLE AND LIP OF TANK TO PREVENT LEAKAGE

As continued product improvement is a policy of Hobart, specifications are subject to change without notice.