



Project \_\_\_\_\_  
 AIA # \_\_\_\_\_ SIS # \_\_\_\_\_  
 Item # \_\_\_\_\_ Quantity \_\_\_\_\_ C.S.I. Section 114000



# AM16T-BAS TALL BASE ELECTRIC

High Temperature  
Door-Style Dishwashing Machine



## STANDARD FEATURES

- + .67 gallons per rack pumped final rinse
- + 60 racks per hour – hot water sanitizing
- + User-friendly smart touchscreen controls
- + WiFi connectivity
- + SmartConnect app and cloud with machine status, temperature logs, error code reporting, and cost, consumption and usage analysis
- + Two stage filtration
- + Pillarless opening
- + 3-sided hood
- + Single point electrical connection standard, field convertible to dual point connection
- + 3 phase standard, field convertible to single phase
- + Temperature and chemical lock outs (with Hobart equipped chemical pumps)
- + Pumped drain
- + Timed wash cycles for 1, 2, 4 or 6 minutes
- + NSF pot and pan rating for 2-, 4- & 6- minute cycles
- + Sense-A-Temp™ 70°F rise electric booster heater
- + Self-draining, high efficiency wash pump with stainless steel impeller
- + 27" door opening for 18" x 26" sheet pans or 60-quart mixing bowl
- + Stainless steel drawn tank, tank shelf, chamber, trim panels, frame and feet
- + Spring counterbalanced chamber with UHMW guides
- + X-shaped revolving, interchangeable upper and lower anticlogging wash arms
- + Revolving, interchangeable upper and lower rinse arms
- + Slanted, self-locating, one-piece scrap screen and basket system
- + Automatic fill
- + Door actuated start
- + AutoClean
- + Vent fan control
- + Service diagnostics
- + Straight-through or corner installation
- + Delime cycle with notification (field activated)
- + Sheet pan rack

## SPECIFIER STATEMENT

Specified unit will be a Hobart AM16 Tall Base electric high temperature dishwashing machine. Features include 3-sided pillarless hood, touchscreen controls with WiFi connectivity, NSF pot and pan rating for 2-, 4- & 6-minute cycles, 27" door opening, pumped drain, auto door start with auto fill, interchangeable stainless steel rinse arms and X-shaped wash arms, delime cycle, advanced diagnostics and service connection, up to 60 racks per hour, .67 U.S. gallons per rack pumped final rinse.

**1 year parts and labor warranty.**

## OPTIONS & ACCESSORIES (Available at extra cost)

- Peg rack
- Combination rack
- Chemical pumps
- Splash shield for corner installations
- Flanged and seismic feet
- Water hammer arrestor kit
- Rapid fill kit
- Sink integration kit
  - Sink saddle & 3" leg extension
  - Sink rail kit
  - Fold down table
- Drain water tempering kit

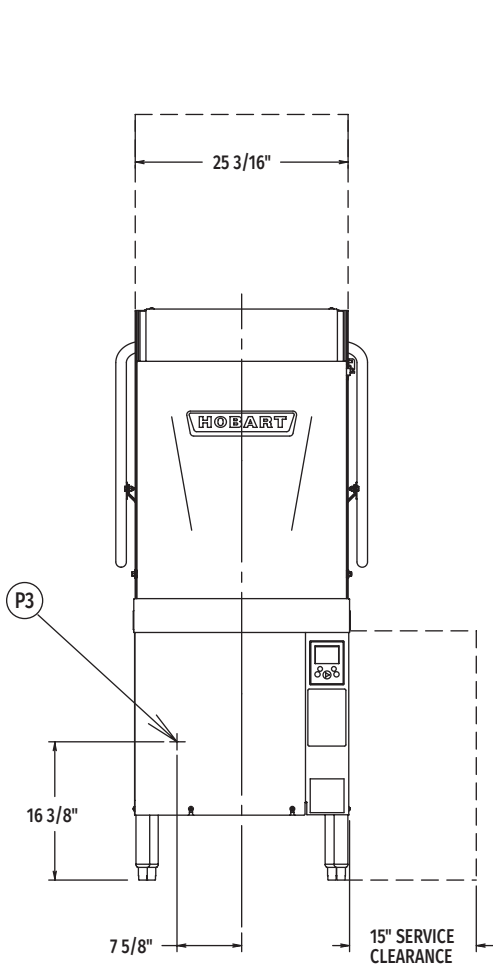
AM16 SERIES – AM16T-BAS TALL BASE ELECTRIC

Approved by \_\_\_\_\_ Date \_\_\_\_\_ Approved by \_\_\_\_\_ Date \_\_\_\_\_

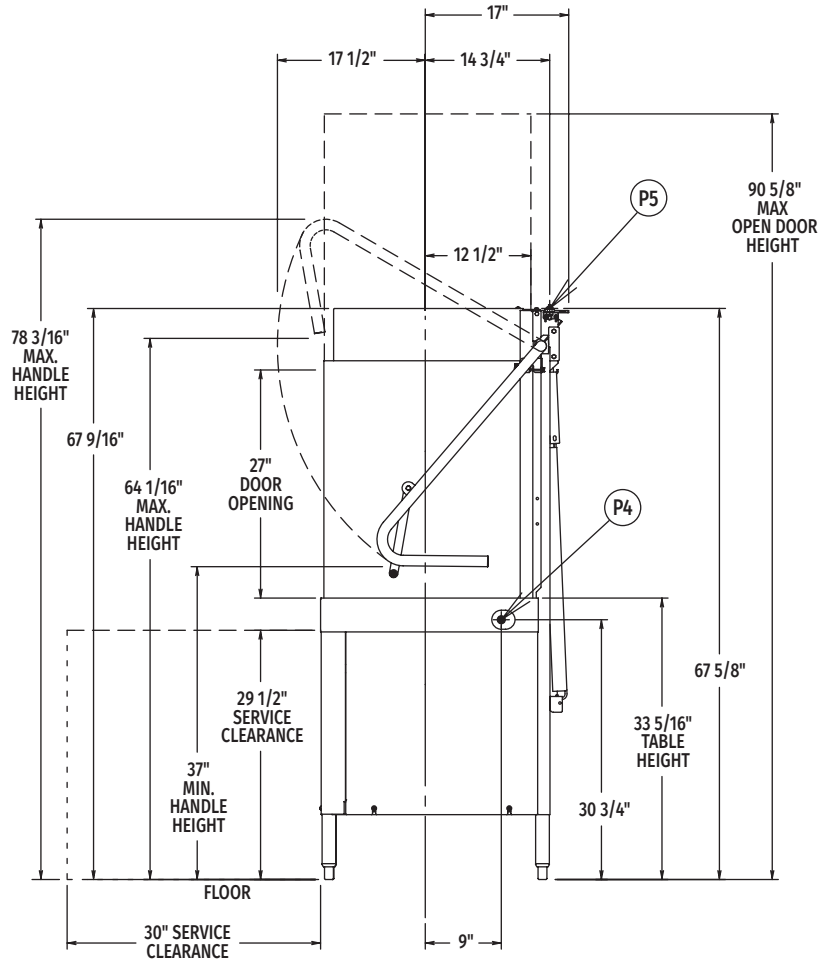


# AM16T-BAS TALL BASE ELECTRIC

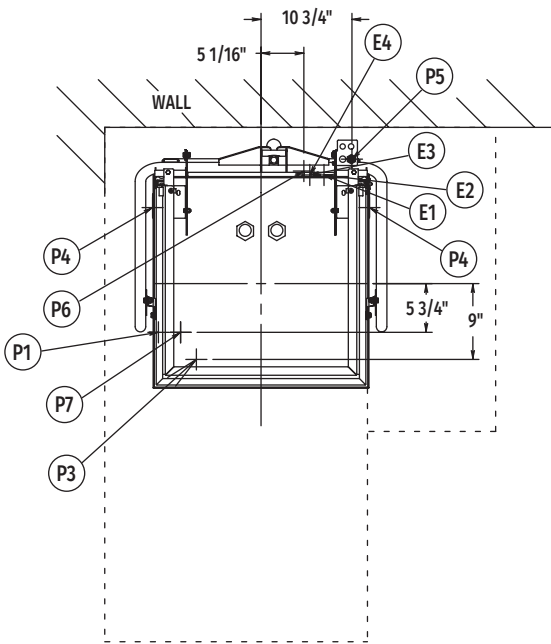
High Temperature  
Door-Style Dishwashing Machine



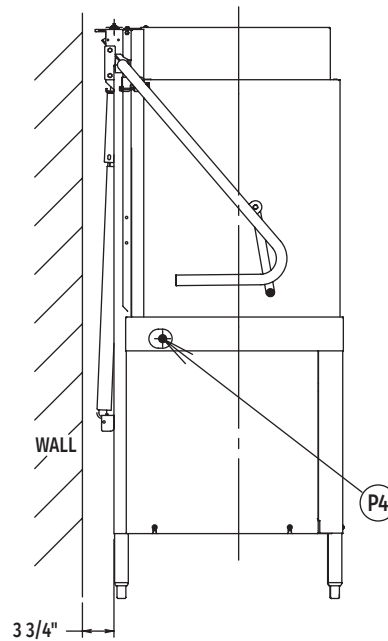
Front View



Right Side View



Top View



Left Side View

MODEL:  
AM16T-BAS  
E-950440

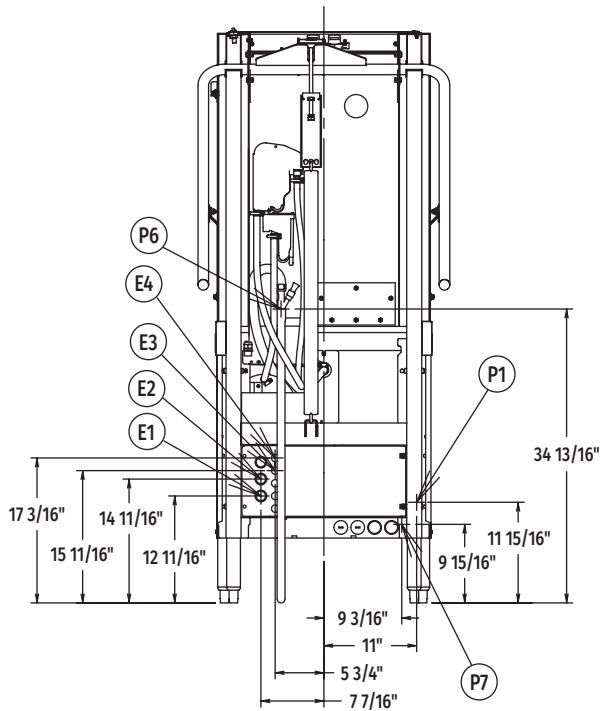


# AM16T-BAS TALL BASE ELECTRIC

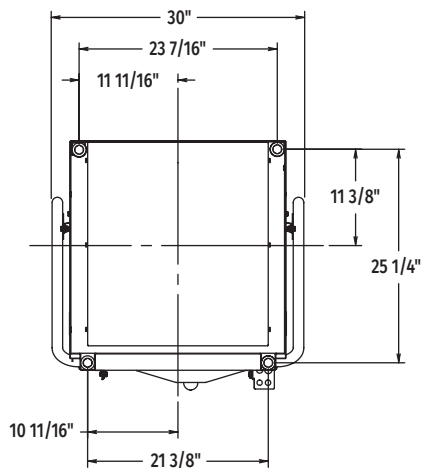
## High Temperature Door-Style Dishwashing Machine

**WARNING:** Electrical and grounding connections must comply with the applicable portion of the National Electrical Code and/or other local electrical codes.

Plumbing connections must comply with applicable sanitary, safety, and plumbing codes.



Rear View



Bottom View

### LEGEND

Electrical Connections	
E1	Electrical connection: wash pump motor & sump heater, 1" or 3/4" conduit hole; 12-11/16" AFF.
E2	Electrical connection: electric booster & controls only or single point electrical connection (3PH only) 1" or 3/4" conduit hole; 14-11/16" AFF.
E3	Electrical connection: detergent & rinse agent feeders, (DPS1 & DPS2) 1.5 amps @ nameplate supply voltage, (RPS1 & RPS2) 1.5 amps @ nameplate supply voltage; 1/2" conduit hole, 15-11/16" AFF.
E4	Electrical connection: vent fan control (VFC1 & VFC2) switching circuit only 1.5 amps @ nameplate supply voltage; 1/2" conduit hole, 17-3/16" AFF.
Plumbing Connections	
P1	Common water connection including booster heater: 110°F water minimum, 15-65 PSI recommended; 3/4" female garden hose fitting on 6' long hose supplied with machine; 11-15/16" AFF.
P3	Detergent probe sensor: remove cap and stud assembly to access 7/8" hole; 16-3/8" AFF.
P4	Detergent feeder: two locations available. Remove cap and stud assembly to access 7/8" hole; 30-3/4" AFF.
P5	Rinse agent feeder: remove 1/8" NPT pipe plug to access 1/8" NPT tapped hole; 67-5/8" AFF.
P6	Drain connection: 5/8" barb fitting with 6' long hose supplied with machine; 34-13/16" AFF. Maximum height 40" AFF.
P7	Optional – cold water connection: 55°F water minimum (drain water tempering - when ordered); 3/4" female garden hose fitting on 8' long hose; 9-5/16" AFF.

### SPECIFICATIONS

#### Capacities

Racks Per Hour (maximum)	60
Dishes per Hour (average 25 per rack)	1,500
Glasses per Hour (average 45 per rack)	2,700
Wash Tank (U.S. gallons)	10.5

#### Motor Horsepower

Rinse Pump	0.18
Wash Pump	.2
Drain Pump	0.21

#### Rinse

Gallons per Rack	0.67
Gallons per Hour (maximum consumption)	40.2

#### Peak Rate of Drain Flow

Gallons per Minute (initial rate with full tank)	18.5
--	------

#### Heating

Electric Booster (kW)	7.1
Electric Heating Unit (kW)	5.4

Exhaust Requirements ..... 450 CFM

Shipping Weight (approximate) ..... 357 lbs.

Crated Dimensions ..... 73.75"H x 36.5"W x 36.5"L



# AM16T-BAS TALL BASE ELECTRIC

## High Temperature Door-Style Dishwashing Machine

E1 AM16 with Electric Heat (When Field Converted to Dual Point)			
Voltage	Rated Amps	Minimum Supply Circuit Ampacity	Maximum Protective Device
208-240/60/1	39.6	50	50
208-240/60/3	26.9	30	30
480/60/3	10.5	15	15
200-240/50/3*	22.1	30	30
380-415/50/3*	11.8	20	20

E2 9.5 kW Electric Booster & Controls (When Field Converted to Dual Point)			
Voltage	Rated Amps	Minimum Supply Circuit Ampacity	Maximum Protective Device
208-240/60/1	42.3	50	50
208-240/60/3	25.6	30	30
480/60/3	12.9	15	15
200-240/50/3*	25.6	30	30
380-415/50/3*	14.7	20	20

\*These electrical specifications are not submitted for UL or CUL listing

E2 AM16 Single Point Electrical Service Connection as Shown Below			
Voltage	Rated Amps	Minimum Supply Circuit Ampacity	Maximum Protective Device
208-240/60/3	52.5	60	60
480/60/3	23.5	30	30
200-240/50/3*	47.7	60	60
380-415/50/3*	26.5	30	30

\*These electrical specifications are not submitted for UL or CUL listing

**Miscellaneous Notes:** All dimensions taken from floor line may increase 7/8" or decrease 3/8" depending on leg adjustment.  
Vent hood (if required) to provide a minimum 450 CFM exhaust (ref installation instructions).  
Net weight of machine including booster: 340 lbs.  
Domestic shipping weight including booster: 360 lbs.  
Size of racks – 19 3/4" x 19 3/4".

Approximate Heat Gain to Space without Vent Hood	
Type	BTU/Hr.
Latent	12,300
Sensible	5,700

**Plumbing Notes:** Water hammer arrestor (meeting ASSE-1010 standard or equivalent) to be supplied (by others) in common water supply line at service connection.

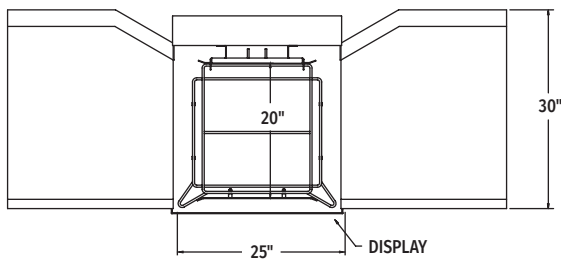
Recommended water hardness to be 3 grains or less for best results.

Recommended building flowing water pressure to the dishwasher at or above 20 PSI. Pressures lower than 20 PSI may affect machine fill/start-up times.

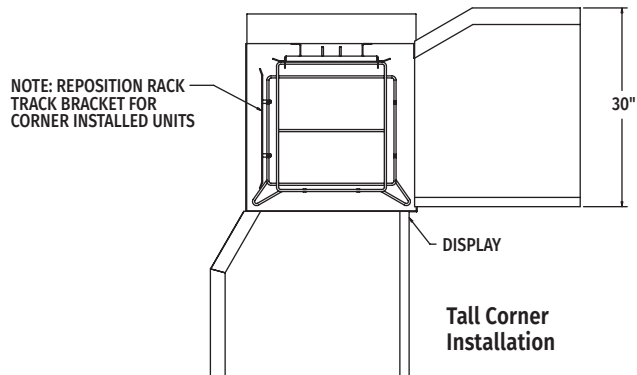
This is a pumped rinse machine. Pressure regulating valve is not necessary on hot or cold lines.

For convenience when cleaning, water tap should be installed near machine with heavy duty hose and squeeze valve.

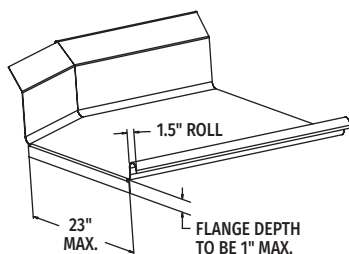
### AM16T-BAS TABLING CONFIGURATIONS AND TRACK DESIGN



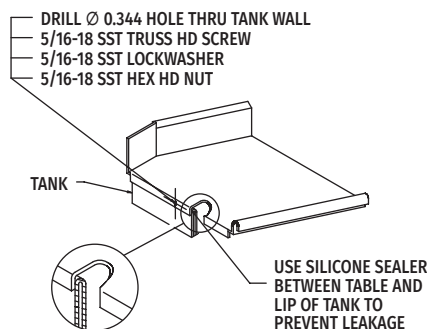
Pass Thru Installation



Tall Corner Installation



Suggested Table Design



As continued product improvement is a policy of Hobart, specifications are subject to change without notice.