



Our main ingredient is value

H-6SA & VS9

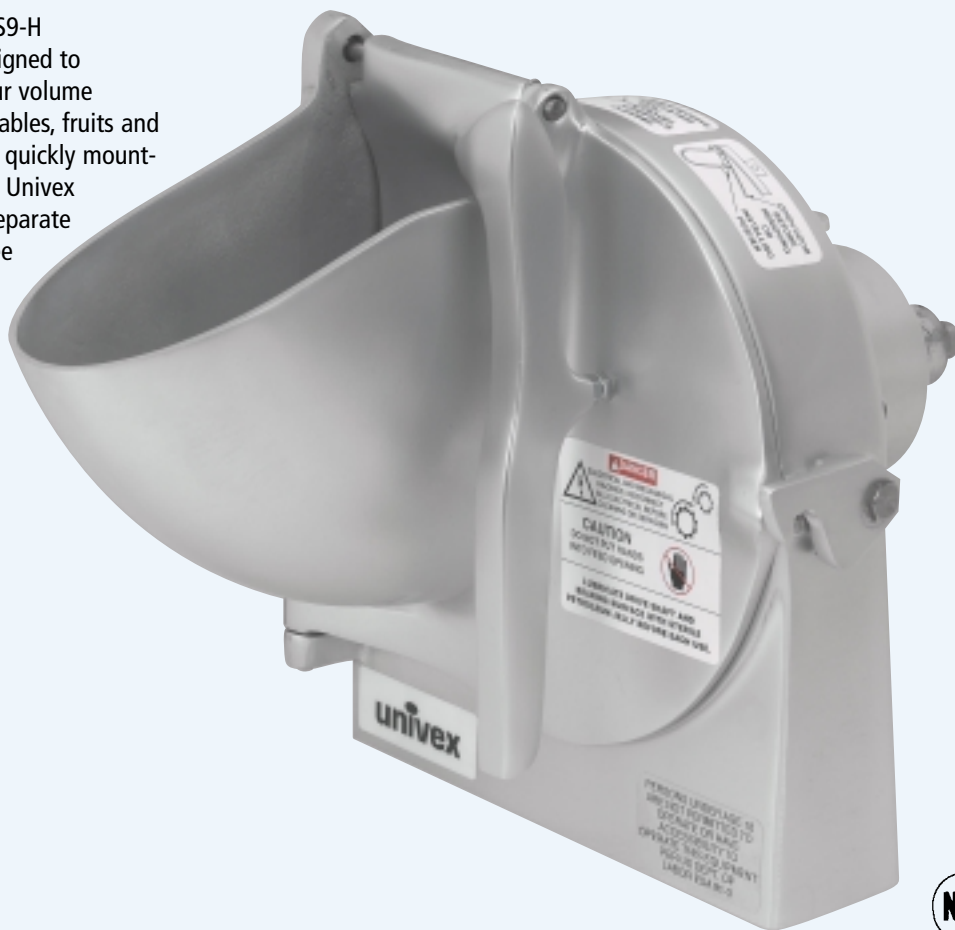
VS9 & VS9-H

# VEGETABLE PREPARATION ATTACHMENTS

FOR #12 PTO ASSEMBLY

VS9 SLICING & VS9-H GRATING AND SHREDDING

Both the VS9 AND VS9-H attachments are designed to perform much of your volume preparation of vegetables, fruits and cheeses. they can be quickly mounted and used on your Univex mixers or with our separate power drive unit. (See Univex Model PM91 PREP-MATE). Either way these labor saving attachments are portable and easily dismantled for cleaning.



### WARRANTY

The Univex Vegetable Preparation Attachments VS9 & VS9-H carry a 6-month carry-in warranty on parts and labor warranty against any flaws in materials and workmanship. This period begins with the date of purchase and, provided the unit is used properly in accordance with our instructions, is in full effect for one year from that date. Any work to be performed under this warranty must be performed between the hours of 8:00 a.m. and 5:00 p.m. local time, Monday through Friday. Univex will not pay overtime charges for work performed other than during normal business hours. Damages incurred in transit or from installation error, accident, alteration or misuse are not covered. Transit damages should be reported to the carrier immediately. Univex shall not be liable for any consequential, compensatory, incidental, or special damages. Contact Univex Service Department for any warranty claims.



UNIVEX CORPORATION ■ 3 Old Rockingham Road ■ Salem, NH 03079-2140  
Tel 603-893-6191 ■ Fax 603-893-1249 ■ E-mail [univex@univexcorp.com](mailto:univex@univexcorp.com)  
TOLL-FREE ORDERING FAX 1-800-356-5614  
[www.univexcorp.com](http://www.univexcorp.com)

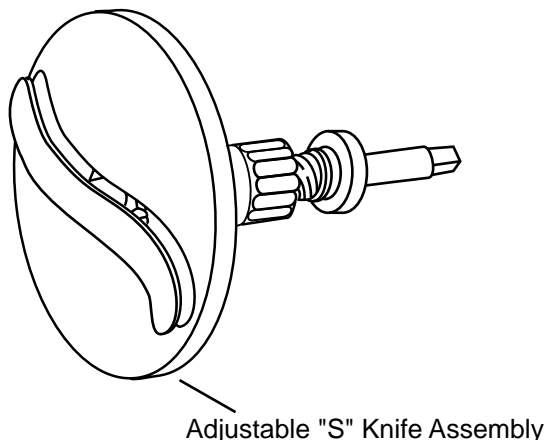
April 2005  
Printed in USA

# VEGETABLE PREPARATION ATTACHMENTS

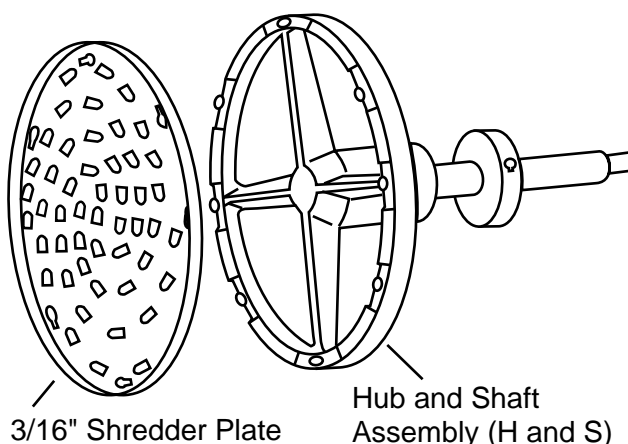
VS9 & VS9-H

VS97 & VS9-H

## VS9 SLICING



## VS9-H GRATING & SLICING



### SPECIFICATIONS

**STANDARD: EQUIPMENT** Satin finish anodized aluminum housing with hinged feed chute door, latch and feed pusher

**USED FOR:** Lettuce, cucumbers, carrots, celery, mushrooms, radishes, cabbage, peppers, home fries, chinese vegetables, onions, zucchini

**APPROXIMATE SHIPPING WEIGHT:** lbs. (9 Kg)

### SPECIFICATIONS

**STANDARD: EQUIPMENT** Satin finish anodized aluminum housing with hinged feed chute door, latch and feed pusher

**USED FOR:** Die cast aluminum hub with stainless steel shaft and #12 rear hub and stainless locking pins

**OPTIONAL:** Shredder and Grater Plates

### ATTENTION DEALERS/DISTRIBUTORS!

IF YOUR CUSTOMER WANTS TO DO ALL THREE: SLICE. . . SHRED. . . AND GRATE. . .

ORDER: { VS9 Vegetable Slicer  
H&S Hub and Shaft  
Your Choice of Plates

Food Product	1/2"	5/16"	3/16"	3/32"	Universal Grater Plate
Cole Slaw	•	•			
Bread Crumbs		•			•
Cheese		•			
Soft Cheese for Pizza			•		
Carrots for Coloring			•	•	
Cheese for Tacos				•	
Hard Cheese					•

