

Project _____

Item Number _____

Quantity _____

SRM12+ Mixer



*Shown with optional PTO

12 Quart (qt.) Countertop Mixer MADE IN THE USA

Model:

- SRM12+: 12 qt. COUNTERTOP MIXER (WITH OR WITHOUT PTO HUB)



Standard Accessories:

- 12 qt. stainless steel bowl
- Dough hook
- Batter beater
- Wire whip
- Ingredient chute
- Bowl scraper

Optional Accessories:

- 15 minute timer
- Heavy duty SS wire whip
- Sweet dough beater
- Stand
- 12 qt. pastry knife
- Four wing beater
- Cover

Optional Attachments:

- VS9 vegetable slicer with adjustable knife
- VS9H vegetable shredder with plate holder and 3/16" plate (additional plate size variations, grater plates, and julienne plate available)
- ALMFC12 meat and food grinder

Warranty:

- Two year, on-site parts and labor

Countertop Mixer

Univex Corporation

Features:

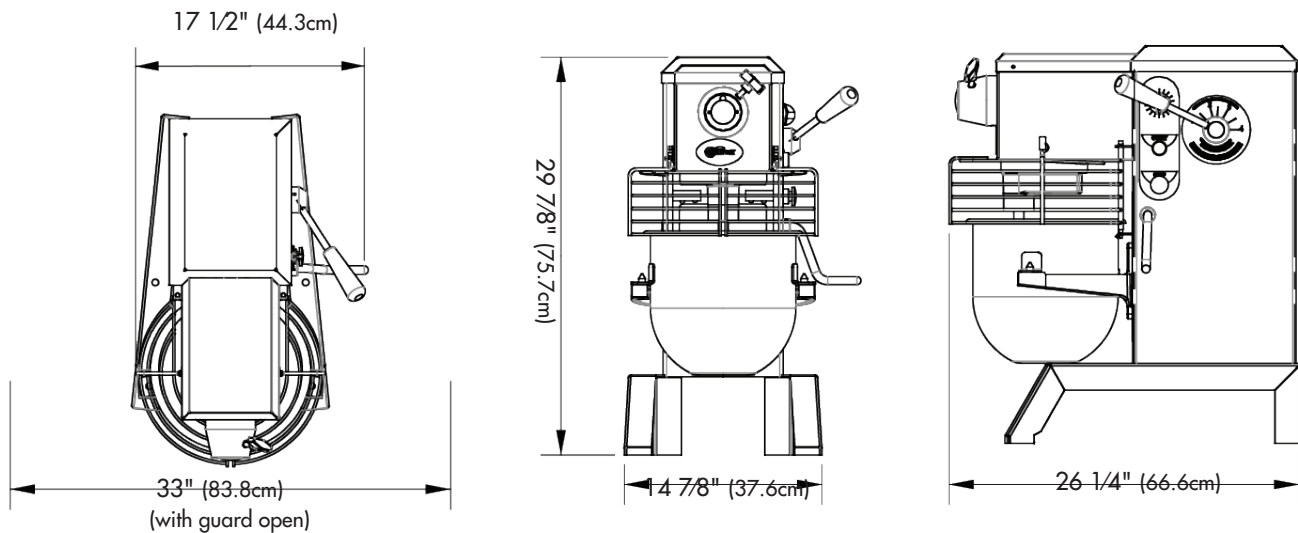
- 1/3 hp capacitor start motor
- Variable Speed Drive: 4 fixed speeds or any speed in-between
- Change speeds without having to stop the mixer
- Two-piece, stainless steel, dishwasher safe safety guard
- Heavy-duty stainless steel bowl
- #12 Power Take Off (PTO) hub
- Interlock switches protect operator from injury if safety guard is open or bowl is lowered
- Hardened alloy gears in transmission
- Durable NSF approved hybrid epoxy/polyester powder coat finish



WE RAISE THE BAR. WE SET THE STANDARD.

12 Quart Countertop Mixer

SRM12+



*Shown with optional PTO and timer

Shipping Information

Net Weight	Shipping Weight	Overall Dimensions	Cubic Measure
146 lbs. (66.2Kg)	217 lbs. (98.4Kg)	41" (104.1cm) H x 33" (83.8cm) W x 22" (55.9cm) D	17.2ft. ³ (0.49M ³)

*The weight and dimensions of the pallet are included in the weight and dimensions above.

NEMA #: 5-15P

Electrical Information (60Hz)			
Attached 6 foot cord	Voltage	Phase	Amps
Standard Voltage	115	1	6.2
Optional Voltage	208-240	1	3.1

Mixer Speeds				
Speed	1	2	3	4
Beater Shaft (RPM)	152	228	321	406
PTO (RPM)	117	178	231	316

Bowl Capacity: 15 qts. (14.2 liters)

Motor: 1/3 hp capacitor start

Controls: Momentary contact stop & start buttons and contactor

Bowl Lift: Ergonomic hand operated crank, self locking in top and bottom position

Transmission: Featuring hardened alloy gearing and torque sensing variable speed pulleys

Power Take Off (PTO): #12 Hub



Univex Corporation
www.Univexcorp.com

3 Old Rockingham Rd
Salem, NH 03079
United States of America

TEL: (800)258-6358
INTL TEL: (603)893-6191
FAX: (800)356-5614
INTL FAX: (603)893-1249