

Project _____

Item Number _____

Quantity _____

6612M



6612M Value Slicer

Model:

➤ 6612M: 1/2hp Manual Slicer



*NEW Low Friction Blade comes standard with slicer!

CERTIFIED BY NSF INTERNATIONAL TO MEET AND EXCEED THE NSF/ANSI 2012 STANDARDS

Value Series Slicer

Features:

- Light to medium duty, intermediate volume slicer
- Maximum duty 4 hours a day
- Capable of slicing limited amounts of cheese
- Unique drip tray fence redirects liquids away from controls and operator towards distinctive concave base casting for easy cleaning
- Ergonomic comfort design operation
- Powerful 1/2 hp motor standard
- Adjustable slice thickness from 0 to 1/2"
- Easily removable sharpener for cleaning
- Quick and simple disassembly of carriage and feed grip for easy and thorough cleaning
- Sanitary polished and anodized aluminum construction
- Permanently mounted protective edge guard for operator safety
- Heavy duty 3-1/2 lb gravity fed grip

12" Precision slicing German hollow ground blade
Unique smooth curve transitions to redirect liquids away from controls and operator
Easily detachable carriage for easy cleaning

Optional Accessories:

- Heavy duty clear plastic cover
- Stainless steel vegetable chute
- Sturdy stainless steel stand

Warranty:

- One year, on-site parts and labor

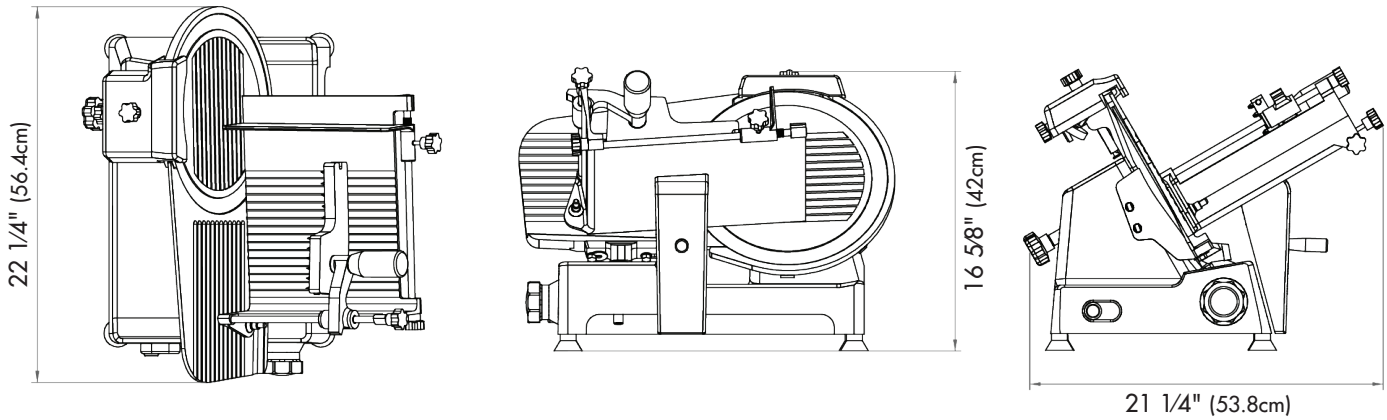
Univex Corporation



WE RAISE THE BAR. WE SET THE STANDARD.

Value Series Slicer

6612M



Controls: Manual slice thickness knob, push button on/off, attached blade sharpener

Drive Assembly: Belt driven

Blade diameter: 12" (38.48cm) razor sharp blade

Blade RPM: 345 RPM

Maximum slice thickness: .5" (1.27cm)

Maximum product size: Rectangular: 9.25" x 7.5" (24.5cm x 19cm)

Square: 7.5" x 7.5" (19cm x 19cm)

Round: 8" (20.3cm)

Construction: Anodized, cast aluminum body for durability and stunning looks

Nema #: 5-15-P

Electrical Information (60Hz)

	Voltage	Phase	Amps	RPM	hp(kW)
Standard Voltage	115	1	4.0	1680	1/2 (.37)
Optional Voltage	208-240	1	2.5	1680	1/2 (.37)

Carriage Stroke

11" (27.94cm)

Shipping Information

Net Weight	Shipping Weight	Overall Shipping Dimensions
67.9lbs. (30.8Kg)	86lbs. (39Kg)	21" (53.3cm) H x 27" (68.6cm) W x 23" (58.4cm) D



Univex Corporation
www.Univexcorp.com

3 Old Rockingham Rd
Salem, NH 03079
United States of America

TEL: (800)258-6358

INTL TEL: (603)893-6191

FAX: (800)356-5614

INTL FAX: (603)893-1249