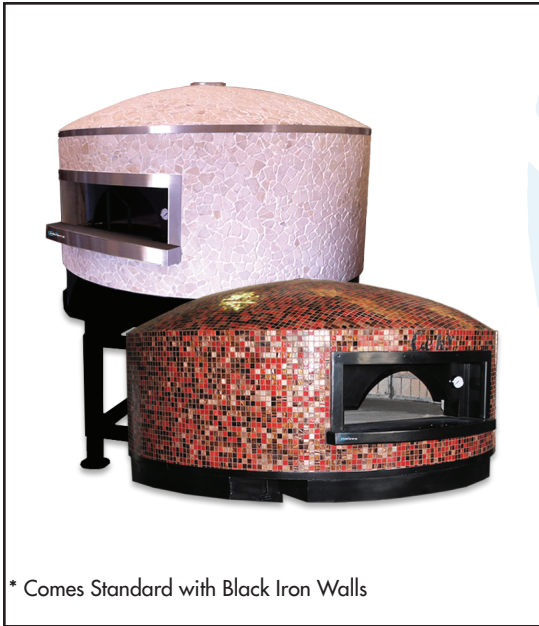


Project _____

Item Number _____

Quantity _____

Round Dome Oven



* Comes Standard with Black Iron Walls

Stone Hearth Pizza Dome Oven

Models:

- DOME39GV: Round dome pizza oven
- DOME47GV: Round dome pizza oven
- DOME51GV: Round dome pizza oven
- DOME55GV: Round dome pizza oven
- DOME59GV: Round dome pizza oven

Pizza Oven

Features:

- Handmade firebrick pizza oven
- Static cooking floor
- Round internal cooking chamber
- Insulated and ready to be connected to smoke stack
- Very well insulated, outside is cool to touch at highest temperature

Standard Accessories:

- Iron stand
- Thermometer
- Iron door
- Stack exhaust internal diameter 7 7/8" (20cm)

Optional Accessories:

- Black or customizable exterior
 - Marble
 - Mosaic

Burner Specifications:

- 3/4" (1.9cm) NPT gas connection
- Natural Gas or Propane
- Natural Gas- 4.0" (10.2cm) WC
- Propane- 10.0" (25.4cm) WC

Venting: Depends on local state code. Recommend a dedicated natural draft flue. If exhaust fan is required by code, it needs to be no more than 200-300 CFM.

Warranty:

- One year, on-site parts and labor

Univex Corporation

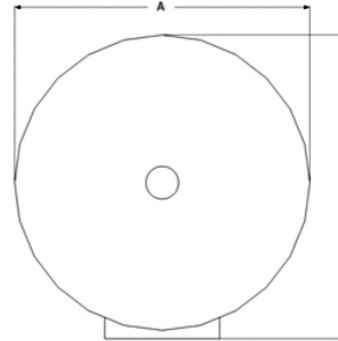
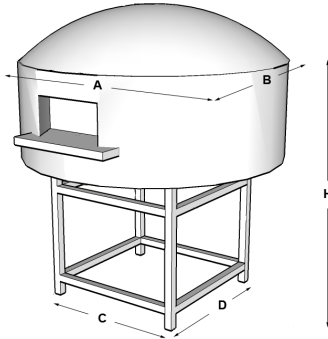




WE RAISE THE BAR. WE SET THE STANDARD.

Stone Hearth Pizza Dome Oven

Gas



	DOME39GV	DOME47GV	DOME51GV	DOME55GV	DOME59GV
A	57" (145cm)	65" (165cm)	69" (175cm)	73" (185cm)	78 3/4" (215cm)
B	59" (150cm)	67" (170cm)	71" (180cm)	74" (190cm)	ø76 7/8" (220cm)
C	39" (100cm)	43" (110cm)	47" (120cm)	51" (130cm)	25 3/4" (145cm)
D	39" (100cm)	43" (110cm)	47" (120cm)	51" (130cm)	13 7/8" (145cm)
H	75" (190cm)	79" (200cm)	79" (200cm)	79" (200cm)	79" (200cm)

Vent Pipe: 7.87"(200mm)

Internal Diameter: DOME39GV- 39 3/8" (100cm),
 DOME47GV- 47 1/4" (120cm),
 DOME51GV- 51 1/4" (130cm),
 DOME55GV- 55 1/8" (140cm),
 DOME59GV- 59 1/8" (150cm)

Oven Weight	
DOME39GV	2645.5lbs. (1200Kg)
DOME47GV	4850.2lbs. (2200Kg)
DOME51GV	5291.1lbs. (2400Kg)
DOME55GV	5511.6lbs. (2500Kg)
DOME59GV	5952.5lbs. (2700Kg)

Number of Pizzas	
Model	12" Pizzas
DOME39GV	5
DOME47GV	7
DOME51GV	9
DOME55GV	11
DOME59GV	13

BTU: DOME39GV, DOME47GV, DOME51GV - 92500 BTU
 DOME55GV, DOME59GV - 97500 BTU

Minimum clearance away from combustibles from all sides: 6" (15.2cm)

Minimum clearance away from combustibles from top: 16" (40.6cm)

Please note that standard dry-wall or sheet rock is considered a combustible

Built on a non combustible floor with at least 32" (81.3cm) surrounding the oven and at least 40" (101.6cm) in front of the oven

Minimum clearance under oven: 31 inches² (200cm²)

Leave enough clearance for someone to service the oven



Univex Corporation
www.Univexcorp.com

3 Old Rockingham Rd
 Salem, NH 03079
 United States of America

TEL: (800)258-6358
 INTL TEL: (603)893-6191
 FAX: (800)356-5614
 INTL FAX: (603)893-1249