

Project _____

Item Number _____

Quantity _____

MG42



Meat Grinder

Models:

➤ **MG42**

Standard Accessories:

- AISI 304 Stainless steel construction
- Stainless steel self- sharpening knife and plate system
- Product pusher
- Worm and plate removing tool

Optional Features:

- Stainless steel splash guard
- Wide selection of plates
- Foot pedal operation switch

Features:

- Powerful 7 HP three phase motor
- Oil- bath, water protected gear box
- Designed for high performance
- Machine works perfectly even if product is processed two or more times
- Tempered steel worm pin
- Grinding set is quickly disassembled for faster cleaning and sanitation
- Square feeding "neck" allows for fast processing cycles
- Large feeding hopper with safety microswitch
- 1300kg/hr of production

Meat Grinder

Univex Corporation

Warranty:

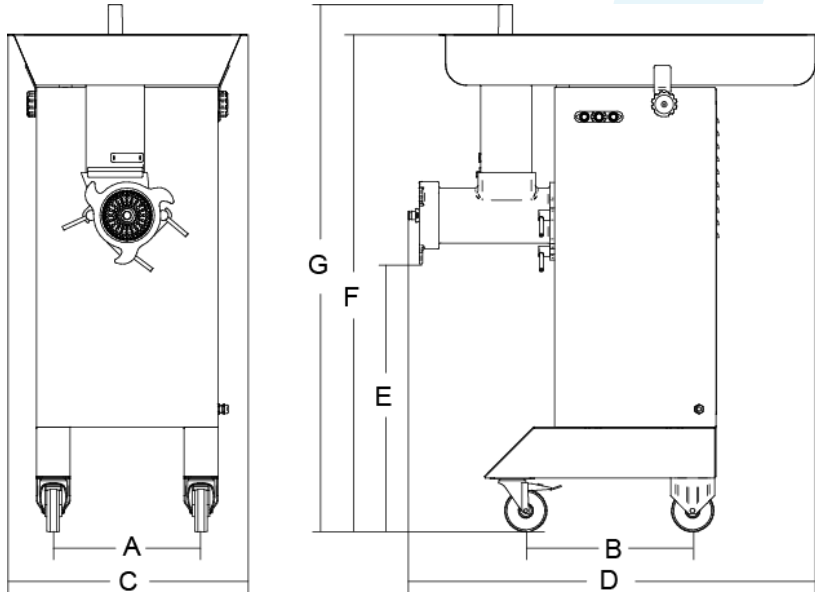
- One year, on site parts and labor warranty





WE RAISE THE BAR. WE SET THE STANDARD.

Meat Grinder



Meat Grinder Dimensions

- A:** 13.7" **E:** 24.8"
- B:** 15.4" **F:** 46.1"
- C:** 22.2" **G:** 48.9"
- D:** 41.9"

NEMA #: L-15-20-P

Electrical Information (60Hz)

	Voltage	Phase	hp(kW)	Amps	Hertz
Standard Voltage	208-240	3	7	20	60

Shipping Information

Net Weight	Shipping Weight	Overall Dimensions	Freight Class
246 lbs (111.584 kg)	302 lbs (137 Kg)	41" (104.14cm) H x 37" (93.98cm) W x 77" (195.58cm) D	85



Univex Corporation
www.Univexcorp.com

3 Old Rockingham Rd
Salem, NH 03079
United States of America

TEL: 800.258.6358
INTL TEL: 603.893.6191
FAX: 800.356.5614
INTL FAX: 603.893.1249