

Project Name: _____ AIA#: _____

Model #: _____ Location: _____

SIS#: _____ Item #: _____ Quantity: _____



Medium Duty Electric Countertop Griddles

Get Maximum Product Consistency!

Griddle maintains a constant, selected temperature. Temperature is thermostatically controlled, with thermostat element every 12 inches.



AutoQuotes

Models

- GEG24 — 24" Electric Griddle (pictured)
- GEG36 — 36" Electric Griddle

Standard Features

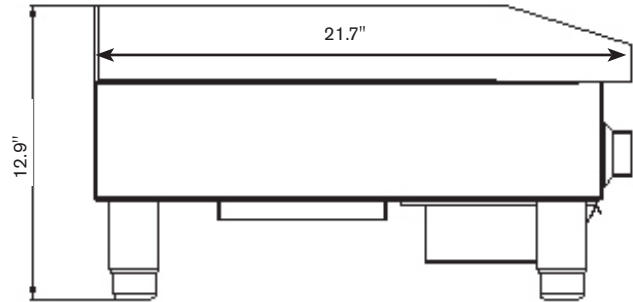
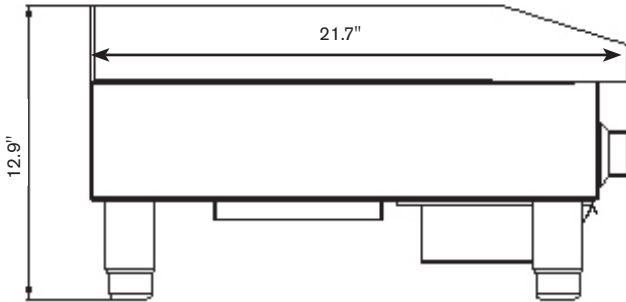
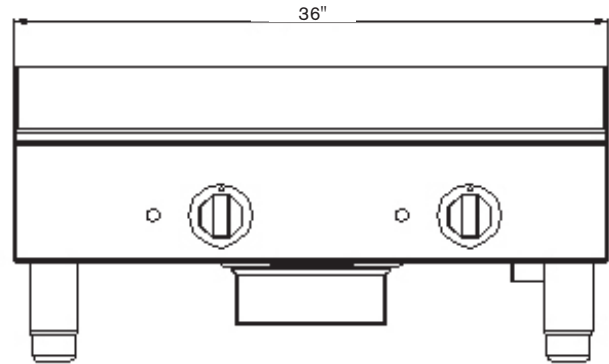
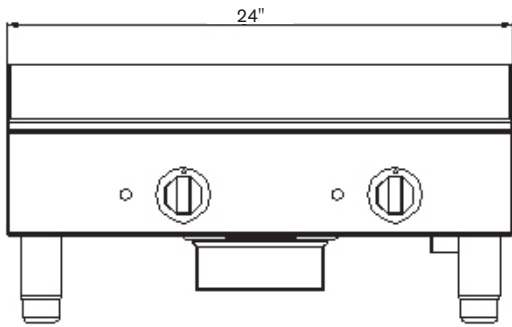
- Available in 2 widths, each with 16" of depth
- Highly-polished griddle plate fully welded to stainless steel frame, 1/2" plate thickness
- Stainless steel cool-to-touch front edge
- One (150°F – 480°F) thermostat, thermostatic controller and heat element every 12"
- Spatula-wide grease trough
- Seamlessly welded 3 1/2" splash guard
- Removable, easy-to-clean, stainless steel catch tray (4 1/2 cup capacity)
- 3-1/2" stainless steel adjustable feet
- 208/240V, hard wire

Warranty

- One-year parts and labor

Approved by: _____ Date: _____

2153 Dryden Rd., Dayton, OH 45439 | 937-299-5493 | 800-347-5423 | Fax: 937-299-4147 | www.globefoodequip.com



For Indoor Use Only

SPECIFICATIONS		
Model	Cooking Area	Electrical
GEG24	24" w x 16.3" d (61 cm x 41 cm)	208-240V ▪ 4200W/5600W (4.2/5.6 KW) 1P - 60HZ (Can be 3PH wired) Hard wire connection
GEG36	36" x 16.3" (91.4 cm x 41 cm)	208-240V ▪ 6300W/8400W (6.3/8.4 KW) 1P - 60HZ (Can be 3PH wired) Hard wire connection

DIMENSIONS SHIPPING INFORMATION				
Carton reinforced for shipping. The weight and dimensions of reinforced carton are listed below and may vary from shipment to shipment.				
Model	Overall Dimensions	Net Weight	Shipping Dimensions	Shipping Weight
GEG24	24" w x 21.7" d x 12.9" h (61 cm x 55.12 cm x 32.77 cm)	88.2 lbs. (40 kg)	26.38" w x 24" d x 11.81" h (67 cm x 61 cm x 30 cm)	115 lbs. (52.16 kg)
GEG36	36" w x 21.7" d x 12.9" h (91.44 cm x 55.12 cm x 32.77 cm)	132.72 lbs. (60.2 kg)	38.31" w x 24" d x 11.81" h (97.3 cm x 61 cm x 30 cm)	165 lbs. (74.84 kg)