

Project Name: _____ AIA#: _____

Model #: _____ Location: _____

SIS#: _____ Item #: _____ Quantity: _____



Premium Heavy-Duty Manual Slicer

**Precise - Powerful -
Premium Construction**

The all-new, heavy-duty S-Series line of premium slicers from Globe delivers **precision, performance, industry-leading convenience, superior cleanability and lasting value.**



S13

NEW! Removable Knife makes cleanup easier while providing more operator protection



Model

S13 (Standard Model)

S13 Standard Features

- Patented anodized aluminum design & construction for quick and easy cleaning
- Patent-pending indexing system enables accurate and precise slice thickness adjustment up to 1-1/8"
- 13" steel knife with hardened edge provides quality slices and higher yield
- Tilting carriage accommodates up to 13.75" H, 8" dia., 11" W large products, like prosciutto, mortadella and bacon
- Advanced meat grip design for superior product hold
- 1/2 HP continuous use knife motor combined with the high efficiency knife drive system delivers optimum power
- No Voltage Release prevents inadvertent reactivation of slicer in the event of interlock or power interruption
- Interlock prevents slicer from operating without the knife cover in place
- Top mounted, removable sharpening system utilizes long-lasting synthetic diamond surfaces and enables quick and easy sharpening and cleaning
- Kickstand to facilitate ease of cleaning

Warranty

- Two year parts and labor
- Lifetime warranty on sharpening stones

Factory Installed Options

- **NEW!** KNIFE-RMV - Removable Knife includes removal tool
- **NEW!** CARRIAGE-RMV - Removable Carriage
- FRZN - Serrated knife in lieu of standard knife and additional modifications, single speed at 30 strokes per minute
- CORR - Correctional Package
- SSK - Stainless Steel Knife in lieu of Carbon Steel

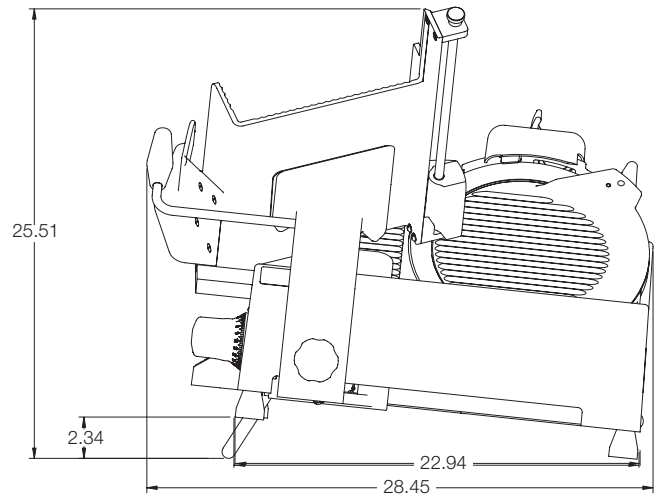
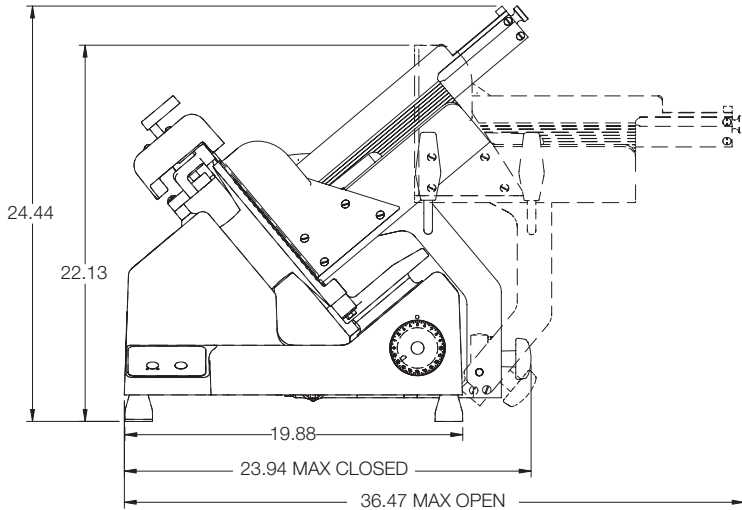
Optional Accessories

- S-FENCE - Food Fence
- S-VEGHOP - Vegetable Hopper
- SC-LARGE - Slicer Cover
- S-SLAWTRAY - Slaw Tray
- S-LEGS - 2.5" Extension Legs
- SCALE MOUNT-S - Mount for Globe 10 lb. Scale
- S-XDSLML - Extended Warranty

To select factory-installed options and accessories, see back



Approved by: _____ Date: _____



UNIT: Inches

Drawings available through KCL. www.kclcad.com

SPECIFICATIONS

| Model | Motor | Volts | Amps | NEMA Plug Type | Drive Type | Slicing Vol. / Day | Cheese Slicing | Blade Diameter | Max Slice | Product Cutting Capacity | | |
|--------|--------|----------|------|----------------|-------------|--------------------|----------------|-------------------|----------------------|--------------------------|-------------------|-------------------|
| | | | | | | | | | | D (Diameter) | H (Height) | W (Width) |
| S13 | 1/2 HP | 115-60-1 | 2 | 5-15 | Poly-V Belt | All Day | | 13" (33.02 cm) | 1-1/8" (2.857 cm) | 8" (20.32 cm) | 13.75" (35 cm) | 11" (27.94 cm) |
| S13-05 | 1/2 HP | 220-60-1 | 1 | 6-15P | Poly-V Belt | All Day | | 13" (33.02 cm) | 1-1/8" (2.857 cm) | 8" (20.32 cm) | 13.75" (35 cm) | 11" (27.94 cm) |
| S13-07 | 1/2 HP | 220-50-1 | 1 | CEE7/7 | Poly-V Belt | All Day | | 13" (33.02 cm) | 1-1/8" (2.857 cm) | 8" (20.32 cm) | 13.75" (35 cm) | 11" (27.94 cm) |

Cord & Plug: Attached 7 ft. flexible 3-wire cord with molded plug fits a grounded receptacle. *Please specify desired plug configuration when ordering.*

DIMENSIONS | SHIPPING INFORMATION

Reinforced carton for shipping. The weight and dimensions of this reinforced carton are included below and may vary from shipment to shipment.

Shipped on a pallet. Freight class 85.

| Model | Max Overall Dimensions | Net Weight | Shipping Dimensions | Shipping Weight |
|-------|---|------------------------|--|------------------------|
| S13 | 36.47" W x 29.56" D x 25.51" H (92.63 cm x 75.08 cm x 64.8 cm) | 114 lbs. (51.71 kg) | 31.5" W x 31.5" D x 31.5" H (80 cm x 80 cm x 80 cm) | 135 lbs. (61.24 kg) |

FACTORY INSTALLED OPTIONS:

- NEW!** KNIFE-RMV - Removable Knife includes removal tool
- NEW!** CARRIAGE-RMV - Removable Carriage
- FRZN - Serrated knife in lieu of standard knife and additional modifications
- CORR - Correctional Package
- SSK - Stainless steel knife in lieu of Carbon Steel

OPTIONAL ACCESSORIES:

- S-FENCE - Food Fence
- S-VEGHOP - Vegetable Hopper
- SC-LARGE - Slicer Cover
- S-SLAWTRAY - Slaw Tray
- S-LEGS - 2.5" Extension Legs
- SCALE MOUNT-S - Mount for Globe 10 lb. scale
- S-XDSLIM - Extended Warranty



KNIFE-RMV



CARRIAGE-RMV

Constructed of anodized aluminum with built-in control panel. 1/2 HP motor with overload protection and 13" hardened steel knife. Patent-pending indexing system with slice thickness adjustment up to 1-1/8". Top mounted removable sharpener with synthetic diamond stone wheel and plate. Tilting carriage accommodates up to 13.75" H, 8" dia., 11" W large products. Slicer is ETL listed. No Voltage Release and Knife Cover Interlock. Two year parts and labor slicer warranty, lifetime warranty on sharpening stones.