

Project Name: _____ AIA#: _____

Model #: _____ Location: _____

SIS#: _____ Item #: _____ Quantity: _____



Medium-Duty Open Body Manual Slicer

Open to Possibilities!

Build a sandwich or design a deli platter right on the slicer and clean easily with the open base design!



Model

GSO12 – 12" Diameter Knife

Standard Features

- 12" carbon steel knife
- 1/2 HP motor
- Open-style body provides complete clearance under knife for easy cleaning and operation
- Max slice thickness 1-1/16"
- Accommodates product up 11" x 5.5", 8" dia.
- No Volt Release
- Table tilts easily for cleaning
- Permanently attached ring guard
- Heavy front-mounted end weight for easy loading and unloading products
- Easily removed slice deflector
- Sharpener stored on the slicer for convenience
- Non-slip rubber feet

Warranty

- One-year parts and labor

Optional Accessories

- Food fence
- Vegetable hopper
- Large slicer cover

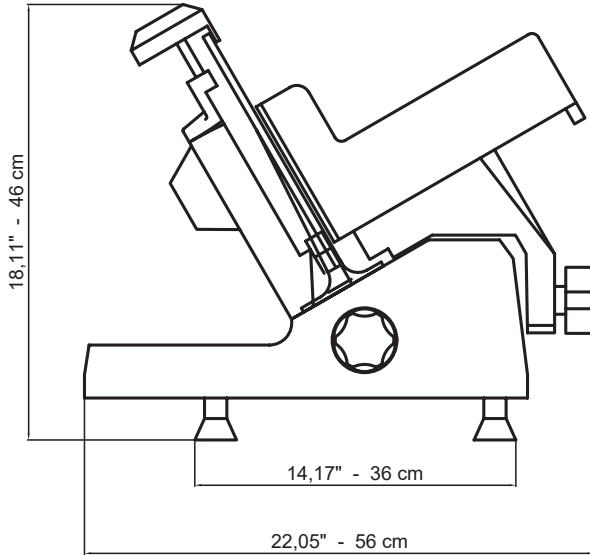
To select options, see complete list on back



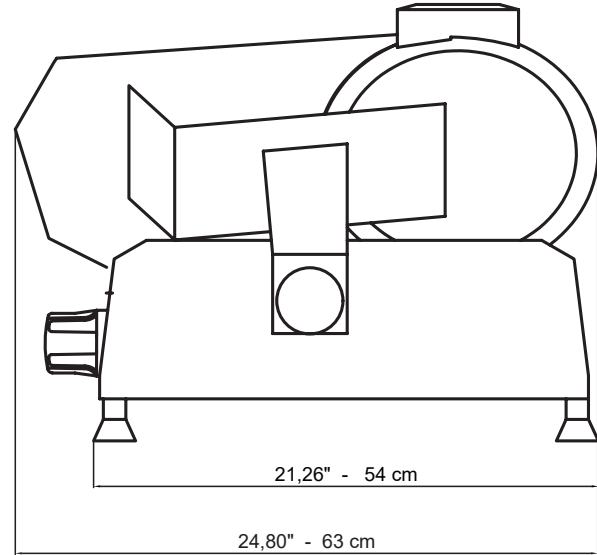
Approved by: _____ Date: _____



Front View



Side View



SPECIFICATIONS

Model	Auto or Manual	Motor	Volts	Amps	Drive Type	Slicing Volume per Day	Cheese Slicing	Blade Diameter	Max Slice	Product Cutting Capacity		
										W (Width)	D (Diameter)	L (Length)
GSO12	Manual	.4 HP	120V	3.5	Belt	6 hours		12" (35.5 cm)	1-1/16" (2.7 cm)	11" (27.9 cm)	8" (20.3 cm)	5.5" (14 cm)

Cord & Plug: Attached 6 foot flexible 3-wire cord with molded plug fits a grounded receptacle. NEMA 5-15

DIMENSIONS | SHIPPING INFORMATION

Reinforced carton for shipping. The weight and dimensions of this reinforced carton are included below and may vary from shipment to shipment. **Freight class 85.**

Model	Overall Dimensions	Net Wt	Shipping Dimensions	Ship Wt
GSO12	22.5" W x 27" D x 20.5" H (57.2 cm x 68.6 cm x 52 cm)	66 lbs (30 kg)	30" W x 26" D x 22.5" H (76 cm x 66 cm x 57 cm)	81.5 lbs (37 kg)

Manual slicer with 12" diameter carbon steel knife. Open body style for complete clearance under knife. Anodized aluminum base for easy cleaning. Motor is .4 HP, No Volt Release. Front-mounted end weight for easy product loading. Sharpener stored on slicer. non-slip rubber feet. Slicer is ETL certified and ETL Sanitation listed. One-year parts and labor warranty.

OPTIONAL ITEMS:

- GSO-FENCE** Food fence
- GSO-VEGHOP** Vegetable hopper
- SC-LARGE** Large slicer cover