

# VULCAN

## INSTALLATION & OPERATION MANUAL

### VG30, VG40, VE30 & VE40 BRAISING PANS

#### MODELS

VG30 ML-126847

VG40 ML-126848

VE30 ML-152047

VE40 ML-152048



Model VE40

For additional information on Vulcan or to locate an authorized parts and service provider in your area, visit our website at [www.vulcanequipment.com](http://www.vulcanequipment.com)

## IMPORTANT FOR YOUR SAFETY

THIS MANUAL HAS BEEN PREPARED FOR PERSONNEL QUALIFIED TO INSTALL GAS EQUIPMENT, WHO SHOULD PERFORM THE INITIAL FIELD START-UP AND ADJUSTMENTS OF THE EQUIPMENT COVERED BY THIS MANUAL.

POST IN A PROMINENT LOCATION THE INSTRUCTIONS TO BE FOLLOWED IN THE EVENT THE SMELL OF GAS IS DETECTED. THIS INFORMATION CAN BE OBTAINED FROM THE LOCAL GAS SUPPLIER.

### IMPORTANT

IN THE EVENT A GAS ODOR IS DETECTED, SHUT DOWN UNITS AT MAIN SHUTOFF VALVE AND CONTACT THE LOCAL GAS COMPANY OR GAS SUPPLIER FOR SERVICE.

### FOR YOUR SAFETY

DO NOT STORE OR USE GASOLINE OR OTHER FLAMMABLE VAPORS OR LIQUIDS IN THE VICINITY OF THIS OR ANY OTHER APPLIANCE.

**⚠ WARNING** IMPROPER INSTALLATION, ADJUSTMENT, ALTERATION, SERVICE OR MAINTENANCE CAN CAUSE PROPERTY DAMAGE, INJURY OR DEATH. READ THE INSTALLATION, OPERATING AND MAINTENANCE INSTRUCTIONS THOROUGHLY BEFORE INSTALLING OR SERVICING THIS EQUIPMENT.

IN THE EVENT OF A POWER FAILURE, DO NOT ATTEMPT TO OPERATE THIS DEVICE.

RETAIN THIS INSTRUCTION MANUAL FOR FUTURE REFERENCE

# TABLE OF CONTENTS

GENERAL.....	4
INSTALLATION .....	4
Unpacking .....	4
Location .....	4
Installation Codes and Standards .....	6
Leveling and Anchoring the Tilting Braising Pan .....	6
Service Connections .....	6
Gas Connections .....	7
Testing the Gas Supply System .....	7
Ventilation .....	7
Control Circuit Power Connection — Gas Braising Pans .....	7
Electrical Connections .....	8
Installation Diagram .....	9
OPERATION .....	10
Before First Use .....	10
Gas Heat Braising Pans.....	10
Electric Heat Braising Pans .....	12
Operation of the Lifting System.....	12
Unloading Prepared Foods .....	13
Steaming Inserts (Optional) .....	14
Suggested Uses For Your Braising Pan.....	14
CLEANING .....	15
COOKING GUIDELINES (Domestic Measurements) .....	16
COOKING GUIDELINES (Metric Measurements).....	19
MAINTENANCE .....	22
Lubrication .....	22
Adjustments .....	22
Flue .....	22
Service and Parts Information.....	22
TROUBLESHOOTING .....	23
Gas Heat Braising Pans.....	23
Electric Heat Braising Pans .....	23

# **INSTALLATION, OPERATION AND CARE OF TILTING BRAISING PANS MODELS VG30, VG40, VE30 & VE40**

## **SAVE THESE INSTRUCTIONS FOR FUTURE USE**

### **GENERAL**

Vulcan Tilting Braising Pans are available in two sizes. Models VG30 and VE30 have a 30-gallon (114 L) capacity, and Models VG40 and VE40 have a 40-gallon (151 L) capacity.

The tilting braising pan is a versatile piece of equipment. It allows you to stew, simmer, pan fry, braise, grill or sauté, and all with a very uniform heat pattern.

Standard features on all models include thermostat, manual lift, drop-away food pan support and four flanged feet.

Optional features include automatic power lift and casters.

Your Vulcan braising pan is produced with quality workmanship and material. Proper installation, usage and maintenance will result in many years of satisfactory performance.

Vulcan suggests that you thoroughly read this entire manual and carefully follow all of the instructions provided.

### **INSTALLATION**

Before installing, verify that the electrical service and gas supply (natural or propane) agree with the specifications on the rating plate located on the left front edge of the table top.

#### **UNPACKING**

This braising pan was carefully inspected before leaving the factory. The transportation company assumes full responsibility for safe delivery upon acceptance of this shipment.

Immediately after unpacking, check for possible shipping damage. If the tilting braising pan is found to be damaged, save the packaging material and contact the carrier within 5 working days of delivery.

#### **LOCATION**

##### **For Gas-Powered Braising Pans Only**

The braising pan must be kept free and clear from combustible substances. The braising pan, when installed, must have minimum clearance from combustible construction of 2" (5 cm) from the sides and 6" (15 cm) from the rear. Minimum clearance from noncombustible construction is 0" from the sides and 6" (15 cm) from the rear.

The installation location must allow adequate clearances for servicing and proper operation. Recommended clearances are 24" (61 cm) on the sides and back (for servicing), and 36" (91 cm) on the front.

The braising pan must be installed so that the flow of combustion and ventilation air will not be obstructed. Adequate clearance for air openings into the combustion chamber must be provided. Make sure there is an adequate supply of air in the room suitable for the amount of combustion gas feeding the braising pan burners.

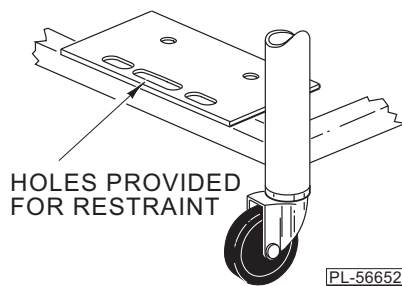
Do not permit fans to blow directly at the braising pan. Wherever possible, avoid open windows next to the braising pan. Avoid wall-type fans which create air crosscurrents within the room.

### **Gas-Powered Braising Pans Equipped with Casters (Optional)**

If casters are assembled to the braising pan, the installation must be made using:

1. A connector (not supplied by Vulcan) that complies with the Standard for *Connectors for Movable Gas Appliances*, ANSI Z21.69 (latest edition) or *Connectors for Movable Gas Appliances*, CAN/CGA-6.16 (latest edition).
2. A quick-disconnect device that complies with the Standard for *Quick-Disconnect Devices for Use With Gas Fuel*, ANSI Z21.41 or *Quick-Disconnect Devices for Use with Gas Fuel*, CAN1-6.9 (latest edition).

Adequate means must be provided to limit the movement of the appliance, without depending on the connector and/or any quick-disconnect device or its associated piping to limit braising pan movement. Attach the restraint at the rear of the braising pan (Fig. 1).



**Fig. 1**

If disconnection of the restraint is necessary, turn off the gas supply before disconnection. Reconnect this restraint prior to turning the gas supply on and prior to returning the braising pan to its originally installed position.

## **INSTALLATION CODES AND STANDARDS**

Your Vulcan tilting braising pan must be installed in accordance with:

### **In the United States:**

1. State and local codes, or in the absence of local codes, with:
2. National Fuel Gas Code ANSI-Z223.1 (latest edition), available from The American Gas Association, Inc., 1515 Wilson Boulevard, Arlington, VA 22209.
3. National Electrical Code ANSI/NFPA-70 (latest edition).
4. ANSI NFPA Standard #96 Vapor Removal from Cooking Equipment (latest edition), available from The National Fire Protection Association, Batterymarch Park, Quincy, MA 01169.

### **In Canada:**

1. Local codes.
2. CAN/CGA-B149.1 National Fuel Gas Code (latest edition), available from The Canadian Gas Association, 178 Rexdale Boulevard, Etobicoke, Ontario, Canada M9W 1R3.
3. Canadian Electrical Code Part 1 CSA-C22.1 (latest edition), available from The Canadian Standards Association, 178 Rexdale Boulevard, Etobicoke, Ontario, Canada M9W 1R3.

## **LEVELING AND ANCHORING THE TILTING BRAISING PAN**

1. Place the braising pan in the final installed position.
2. Place a carpenter's level on the braising pan table top and turn the adjustable feet to level the braising pan table top side-to-side and front-to-back. Do not attempt to level the braising pan base.
3. Mark hole locations on the floor through the anchoring holes provided in the rear, flanged adjustable feet.
4. Remove the tilting braising pan from the installation location and drill holes in the locations marked on the floor. Insert proper anchoring devices (not supplied).
5. Place the tilting braising pan back in the installation location.
6. Place a carpenter's level on top of the braising pan, and re-level side-to-side and front-to-back.
7. Bolt and anchor the tilting braising pan securely to the floor.
8. Seal bolts and flanged feet with Silicon sealant or equivalent compound.

## **SERVICE CONNECTIONS**

To access service and utility connections, remove the left side panel. To remove, hold the panel from underneath and lift it up. While holding the panel up, swing out the lower part of the panel until it clears the bottom flange and remove the panel. If required, the rear panel can also be removed using the same procedure.

The gas-powered braising pan is supplied with a 120-volt power cord.

The electrical connection for the electric braising pan can be accessed from the rear or the left panel.

## **GAS CONNECTIONS (See Fig. 2)**

All gas supply connections and any pipe joint compound used must be resistant to the action of propane gases.

Connect a  $\frac{3}{4}$ " (nominal) gas supply to the braising pan. Recommended incoming gas line pressure is 7" W.C. (Water Column) (48.3 kPa) for natural gas or 11" W.C. (75.8 kPa) for propane gas.

Make sure the pipes are clean and free of obstructions, dirt and piping compound.

Codes require that a gas shutoff valve be installed in the gas line ahead of the tilting braising pan.

Natural gas and propane gas braising pans are equipped with fixed orifices, and no adjustment is necessary. The manifold is set at 3.7 W.C. (Water Column) (25.5 kPa) for natural gas and 10" W.C. (68.9 kPa) for propane gas.

**⚠ WARNING** Prior to lighting, check all joints in the gas supply line for leaks. Use soap and water solution. Do not use an open flame.

After piping has been checked for leaks, all piping receiving gas should be fully purged to remove air.

The electrical control circuit must be connected (see CONTROL CIRCUIT POWER CONNECTION in this manual).

## **TESTING THE GAS SUPPLY SYSTEM**

When test pressures exceed  $\frac{1}{2}$  psig (3.45 kPa), the tilting braising pan and its individual shutoff valve must be disconnected from the gas supply piping system.

When test pressures are  $\frac{1}{2}$  psig (3.45 kPa) or less, the tilting braising pan must be isolated from the gas supply system by closing its individual manual shutoff valve.

## **VENTILATION**

DO NOT obstruct the flow of flue gases from the flue duct located on the rear of the tilting braising pan. It is recommended that the flue gases be ventilated to the outside of the building through a ventilation system installed by qualified personnel.

From the termination of the braising pan flue vent to the filters of the hood venting system, an 18" (46 cm) minimum clearance must be maintained. The flue is not to be directly connected to the ventilation system.

Local jurisdictions may require a ventilation system to exhaust the steam from this appliance. Clearance should be provided for the lid to be raised without interference with the hood. A ceiling that is too low may not allow for an installation of a hood to meet this requirement.

## **CONTROL CIRCUIT POWER CONNECTION — GAS BRAISING PANS (See Fig. 2)**

**⚠ WARNING** Appliances equipped with a flexible electric supply cord are provided with a three-prong grounding plug. It is imperative that this plug be connected into a properly grounded three-prong receptacle. If the receptacle is not the proper grounding type, contact an electrician. Do not remove the grounding prong from this plug.

## ELECTRICAL CONNECTIONS (SEE FIG. 2)

**⚠ WARNING** Electrical and grounding connections must comply with the national electrical code and/or other local codes.

**⚠ WARNING** Disconnect the electrical power to the machine and follow lockout/tagout procedures.

The field connection box for field wire connection of Models VE30 and VE40 is located at the back of the braising pan. A knockout hole is provided for a 1" (2.5 cm) conduit connection.

1. Remove the field connection box cover plate. Mount suitable 1" (2.5 cm) conduit fitting in the conduit opening provided on the bottom surface.
2. Connect field wire to the terminal block as indicated on the wiring diagram. The wiring diagram is located on the inside of the field box lid. Wire must be of the type suitable for 75°C service and at the suitable gauge for loads shown on the data plate.
3. After making the connections, replace the control box cover plate.
4. The braising pan must be grounded by installing a properly grounded lead to the ground lug located inside the field connection box.

### ELECTRICAL DATA CHART

Model Number	V (L-L)	Rated Line Current (A)				Rated Power (kW)
		3Ø			1Ø	
		L1	L2	L3		
VE30-FB	208	33.3	33.3	33.3	57.7	12
	240	28.9	28.9	28.9	50.0	12
	480	14.4	14.4	14.4	-	12
VE40-FB	208	45.9	41.6	45.9	76.9	16
	240	39.7	36.1	39.7	66.7	16
	480	19.9	18.0	19.9	-	16

These values are nominal ratings. Field wire connections must be capable of withstanding anticipated surges.



# INSTALLATION DIAGRAM

## SERVICE CONNECTIONS:

### 1. GAS BRAISING PAN:



**GAS INPUT:** 3/4" N.P.T., Nat.6"-14" W.C., propane gas 11" - 18" W.C., See capacity chart.

**ELECTRICAL:** Machine is supplied with 120-VAC, 1-phase, 15-amp. power cord.

### 2. ELECTRICAL BRAISING PAN:



**ELECTRICAL CONNECTION:** 1" dia. conduit, fitting to be installed by installer.

## IMPORTANT

1. A pressure regulator sized for this unit is included. Natural gas 7" W.C., propane gas 11" W.C. supply pressure.
2. Gas line connecting to appliance must be 3/4" or larger. If flexible connectors are used, the inside diameter must be at least the same as the 3/4" iron pipe.
3. An adequate ventilation system is required for commercial cooking equipment. Information may be obtained by writing to the National Fire Protection Association, Batterymarch Park, Quincy, MA 02289. When writing, refer to NFPA No. 96.
4. These units are manufactured for installation in accordance with ANSZ223.1A (latest edition), National Fuel Gas Code. Copies may be obtained from the American Gas Association, 1515 Wilson Blvd., Arlington, VA 22209.
5. Clearances:
 

	Combustible	Noncombustible
Rear	6	6
Sides	2	0
6. This appliance is manufactured for commercial installation only and is not intended for home use.

MODEL	BTU/hr. Input
VG30	90,000
VG40	120,000

MODEL	208 VAC	240 VAC	480 VAC
VE30	12 KW	12 KW	12 WK
VE40	16 KW	16 KW	16 KW

MODEL	Cooking Surface Area	Capacity	4 oz. Portions
VE/VG30	29" x 23"	30 gal./114 liters	960
VE/VG40	39" x 23"	40 gal./152 liters	1280

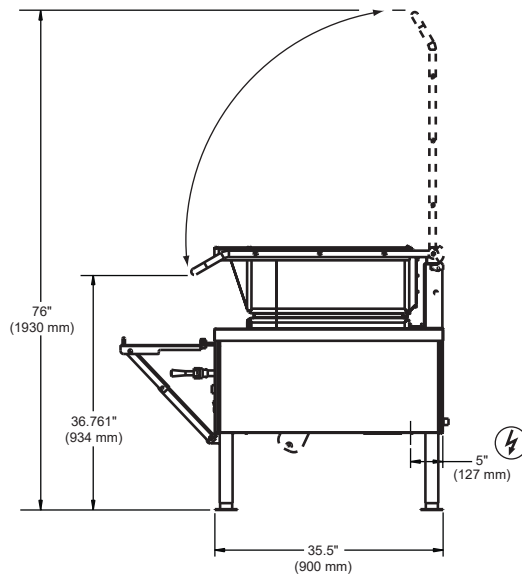
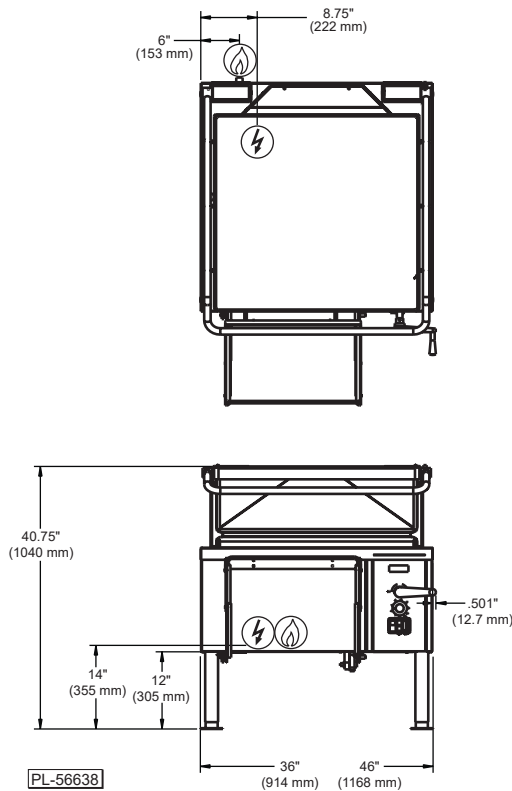


Fig. 2

# OPERATION

**⚠ WARNING** The tilting braising pan and its parts are hot. Use care when operating, cleaning or servicing the braising pan.

## BEFORE FIRST USE

Use a noncorrosive, grease-dissolving commercial cleaner to clean the protective metal oils from all surface parts and the interior of the tilting braising pan. Follow the cleaner manufacturer's directions. Rinse thoroughly and drain the pan. Wipe dry with a soft, clean cloth.

## GAS HEAT BRAISING PANS

### Controls (Fig. 3)

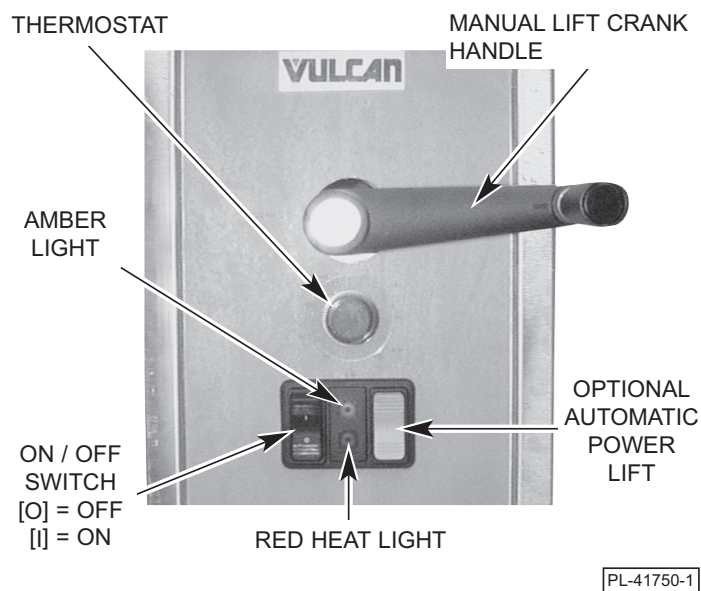


Fig. 3

- |                          |   |
|--------------------------|---|
| Thermostat               | — Sets desired cooking temperature.   |
| On/Off Switch (Black)    | — Turns the braising pan on and off.  |
| Amber Light              | — When lit, indicates the machine is turned on.   |
| Heat Light (Red)         | — When lit, indicates the thermostat is calling for heat.   |
| Auto. Power Lift (Gray)  | — (Optional). Push the upper part of the switch to raise the braising pan; push the lower part to lower the braising pan. Always remove the manual lift crank handle before operating the automatic power lift. |
| Manual Lift Crank Handle | — Use to manually raise and lower the braising pan.   |

## Lighting and Shutdown of Pilot

Lighting instructions are also located on the front panel.

1. Turn main gas supply to the braising pan to the ON position at the shutoff valve.
2. Lower the braising pan (see OPERATION OF LIFTING SYSTEM in this manual). The braising pan will not operate with the pan in the UP position (5 degrees or higher from horizontal).
3. Turn the black on/off switch to the ON position. The ON position is indicated by a glowing amber light on the control panel.
4. Turn the thermostat to the desired cooking temperature.
5. If pilot is extinguished, turn the gas supply and the on/off switch to the OFF position. Wait 5 minutes before relighting.

## Nightly Shutdown

Turn the on/off switch to the OFF position.

## Extended Shutdown

Turn the on/off switch to the OFF position and turn off the gas supply.

## Operating the Gas Braising Pan

The braising pan does not require any adjustments before startup.

The entire flue duct opening (located across the rear of the braising pan) must be left uncovered.

Turn the on/off switch to the ON position and turn the thermostat to the desired temperature to put the braising pan into operation.

To prevent discoloration of the stainless steel cooking surface, do not turn the heat on unless the braising pan is covered with a fluid, a thin layer of cooking oil or food to be cooked.

DO NOT use the braising pan as a **deep fat fryer**; use it only for shallow pan frying (cooking oil film not more than 1/8" [0.3 cm] thick). Its use for deep frying could result in a fire hazard. See SUGGESTED USES FOR YOUR BRAISING PAN in this manual for additional information.

Do not overheat the clad stainless steel plate by setting the temperature well above recommended temperatures or by operating the braising pan without any fluid inside the pan to absorb heat. Overheating the plate may cause warping and will carbonize any cooking oil on the plate and cause sticking.

In case of a power failure, there will be no flames because the combination control valve will shut off the gas flow. In the event of a power failure, immediately turn the on/off switch to the OFF position. Once power is restored, turn the on/off switch to the ON position to resume cooking.

The lid is spring-loaded and will stay in any position at which it is placed. After some time, the springs may need to be tightened. Call your local Vulcan-authorized servicer to make these adjustments.

## ELECTRIC HEAT BRAISING PANS

### Controls (see Fig. 3)

Thermostat	—	Sets desired cooking temperature.
On/Off Switch (Black)	—	Turns the braising pan on and off.
Amber Light	—	When lit, indicates the machine is turned on.
Heat Light (Red)	—	When lit, indicates the thermostat is calling for heat.
Auto. Power Lift (Gray)	—	(Optional). Push the upper part of the switch to raise the braising pan; push the lower part to lower the braising pan. Always remove the manual lift crank handle before operating the automatic power lift.
Manual Lift Crank Handle	—	Use to manually raise and lower the braising pan.

### Operating the Electric Braising Pan

The braising pans do not require any adjustments before startup.

Turn the black on/off switch to the ON position.

Lower the braising pan (see OPERATION OF LIFTING SYSTEM in this manual). The braising pan will not operate with the pan in the UP position (5 degrees or higher from horizontal).

Turn the thermostat to the desired cooking temperature.

To prevent discoloration of the stainless steel cooking surface, do not turn the heat on unless the braising pan surface is covered with a fluid, a thin layer of cooking oil or food to be cooked.

DO NOT use the braising pan as a **deep fat fryer**; use it only for shallow pan frying (cooking oil film not more than 1/8" [0.3 cm] thick). Its use for deep frying could result in a fire hazard. See SUGGESTED USES FOR YOUR BRAISING PAN in this manual for additional information.

Do not overheat the clad stainless steel plate by setting the temperature well above recommended temperatures or by operating the braising pan without any fluid inside the pan to absorb heat. Overheating the plate may cause warping and will carbonize any cooking oil on the plate and cause sticking.

The lid is spring-loaded and will stay in any position at which it is placed. After some time, the springs may need to be tightened. Call your local Vulcan-authorized servicer to make these adjustments.

### OPERATION OF THE LIFTING SYSTEM

Keep the area underneath and around the braising pan clear of your hands or any other objects when operating the lifting system.

Do not obstruct any of the moving parts of the lift system located underneath the table top on the right and/or left side of the braising pan. This area must be kept clear of any objects or obstructions at all times.

Do not leave the braising pan in the UP position for extended periods (e.g., overnight or during a shutdown period between cooking times).

### **Braising Pans with Manual Lift (Standard)**

1. The crank for the manual lift system is shipped separately.
2. There are two pins on one end of the crank. Insert the crank through the hole on the control panel so that the two pins engage in the slots of the speed reducer coupling located behind the panel.
3. Turn the crank handle clockwise to lift the braising pan and counterclockwise to lower the braising pan.
4. This lift system is not affected by a power failure and can be operated during a power failure.
5. Refer to the MAINTENANCE section of this manual for lubrication and maintenance instructions.

### **Braising Pans with Automatic Power Lift (Optional)**

1. The automatic lift cannot raise the braising pan unless the lid is fully opened.
2. The pan lift is controlled by the gray rocker switch located on the control panel (see Fig. 3).
3. Always remove the manual crank handle before operating the automatic power lift.
4. Press the upper half of the gray rocker switch to raise the braising pan and the lower half of the gray rocker switch to lower the braising pan. The switch must be held for continuous raising or lowering of the braising pan.
5. In case of a power failure, use the hand crank (shipped separately) to lower or raise the pan (same as the braising pans with manual lift).

### **UNLOADING PREPARED FOODS**

All braising pans are provided with a frame support (Fig. 4) for holding a food receiving pan when unloading prepared foods.

Pull the frame support out and up until it locks. The support will accept food receiving pans of 12" x 20" (30 cm x 50 cm) up to 6" (15 cm) deep.

When lowering the frame support, push in on the hinges until they bend, then lower the support.



**Fig. 4**

## STEAMING INSERTS (Optional)

Your tilting braising pan can be used for steaming frozen and fresh foods. The 30-gallon (114 L) pans (Models VE30 or VG30) can be loaded with a maximum of two 12" x 20" x 4" (30 cm x 50.8 cm x 10 cm) deep steaming pans. The 40-gallon (151 L) pan (Models VE40 or VG40) will accept up to three steam pans of this same size.

To use the braising pan for steaming, fill the pan with 6 to 7 gallons (23 to 26 L) of water (approximately 2" [5 cm] deep) for 30-gallon (114 L) models and 8 to 9 gallons (30 to 34 L) of water (approximately 2" [5 cm] deep) for 40-gallon (151 L) models.

Turn the braising pan ON. Set the thermostat at 212°F (100°C). Allow the water to come to a boil. Then change the thermostat setting to 250°F (121°C) and carefully place the steaming inserts into the pan as shown in Fig. 5. Place the pan with product into the steaming insert. Close the lid and allow steaming for the desired time.

Periodically inspect the water level inside the braising pan. Add water if the water level is less than 1/2" (1 cm) deep.

To use the braising pan as a food warmer or bain marie, follow the same procedure as for steaming, but increase the depth of the water to allow the bottom and part of the sides of the steaming inserts to be immersed in water. Set the thermostat for the holding or warming temperature desired.

The steaming inserts can be ordered from your dealer.

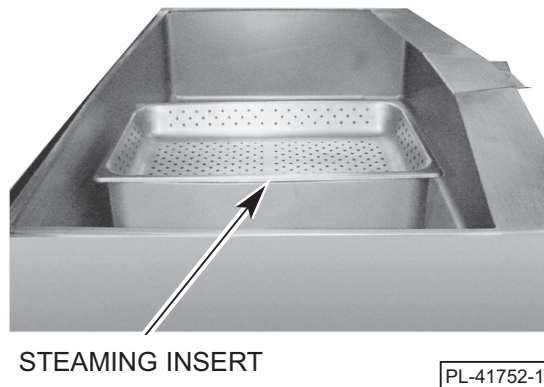


Fig. 5

## SUGGESTED USES FOR YOUR BRAISING PAN

DO NOT use the braising pan for **deep fat frying**. Restrict frying activity to shallow pan frying (oil film not more than 1/8" [0.3 cm] thick) or sautéing.

A tilting braising pan is quite versatile. It can be used for roasting, simmering, boiling, sautéing, searing, frying, warming, holding, proofing, thawing, browning, steaming, braising, griddling or stewing. It can be used as an oversized skillet, as a bain marie, as a proofing oven, as a stock pot, as a kettle or as an even-heat range top. It can be used for cooking breakfasts, lunches and dinners.

Your Vulcan tilting braising pan is a multi-purpose unit that can be used for virtually any type of cooking, except deep fat frying, with great speed, in large volume and with considerable savings in labor and energy.

# CLEANING

**⚠ WARNING** Disconnect the electrical power to the machine and follow lockout / tagout procedures before cleaning.

Clean your braising pan regularly. Keep the plate surface clean. To produce evenly cooked, perfectly braised products, keep the pan surface free from carbonized grease. Carbonized grease on the surface hinders the transfer of heat from the pan surface to the food. This results in spotty browning and loss of cooking efficiency. Worst of all, carbonized grease tends to cling to the foods, giving them a highly unsatisfactory and unappetizing appearance.

## After Each Use

Clean the pan surface with a brush or flexible spatula.

Remove the strainer (Fig. 6) at the pouring lip of the braising pan by pulling it toward the back of the pan. Clean the strainer in a sink. Rinse thoroughly and dry with a soft, clean cloth. Replace strainer.

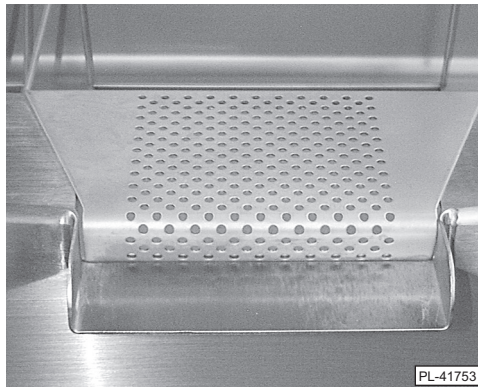


Fig. 6

## Once a Day

Thoroughly clean the back, sides and front of the pan. Also clean the inside and outside surfaces of the lid.

## Once a Week

Clean the pan surface thoroughly. If necessary, use a griddle stone or brush on the surface. A detergent may be used on the pan surface to help clean it, but be sure the detergent is thoroughly removed.

Clean other stainless steel surfaces with a damp cloth and polish with a soft, dry cloth. To remove discolorations, use a nonabrasive cleaner. If the braising pan usage is very high, consider going through the weekly cleaning procedures more often than once a week.

When cleaning the braising pan, it is helpful to fill the pan with approximately 10 gallons (38 L) of warm water and add detergent. After cleaning, raise the braising pan to drain all water (place a bucket or container under the pouring lip). Then repeat the procedures for rinsing with clean water.

# COOKING GUIDELINES (Domestic Measurements)

The guidelines given below are suggested quantities, temperature settings and estimated numbers of orders per load and per hour. When two temperatures are given, the first is to start the product and the second is to finish the product.

The following temperatures should be used:

	Temperature (°F)
Simmering	200 Max.
Sautéing	225 to 275
Searing	300 to 350
Frying	325 to 375
Grilling	350 to 425

ITEM	PORTION SIZE	TEMP. (°F)	BATCHES PER HOUR	VG30/VE30		VG40/VE40	
				QTY.	PORTIONS	QTY.	PORTIONS
<b>BREAKFASTFOODS</b>							
Bacon	3 Slices	350	12	2 lb.	10	3 lb.	15
Eggs							
–Boiled-Hard	1 egg	225	5	50 eggs	50	75 eggs	75
–Boiled-Soft	1 egg	225	8	50 eggs	50	75 eggs	75
–Fried	1 egg	400	4	30 eggs	30	45 eggs	45
–Poached	1 egg	225	5	36 eggs	36	60 eggs	60
–Scrambled	1½ eggs	300 – 200	1	18 gal.	720	28 gal.	1100
French Toast	3 slices	425	7	35 slices	12	50 slices	17
Regular Oatmeal	½ cup	250	2	20 lb (100 cups)	500	40 lb (200 cups)	1000
Pancakes	2 each	400	10	30 ea.	15	50 ea.	25
<b>FISH</b>							
Clams	1 pt.	400	10	10 qts.	20	15 qts.	30
Fish Cakes	2 to 3 oz.	400	5	70 – 3 oz.	35	110 – 3 oz.	55
Haddock Fillet	4 oz.	400	4	60 – 4 oz.	60	90 – 4 oz.	90
Halibut Steak	5 oz.	425	3	60 – 4 oz.	60	90 – 4 oz.	90
Lobster	1 – 1 lb.	350	4	20 – 1 lb.	20	30 – 1 lb.	30
Swordfish	5 oz.	425	3	50 – 5 oz.	50	75 – 5 oz.	75
<b>SAUCES, GRAVIES, SOUPS</b>							
Brown Gravy	1 oz.	350 – 200	2	30 gal.	3840	40 gal.	5120
Cream Sauce	2 oz.	250 – 175	1	30 gal.	1920	40 gal.	2560
Cream Soup	6 oz.	200	1	30 gal.	640	40 gal.	853
French Onion Soup	6 oz.	225	1	30 gal.	640	40 gal.	853
Meat Sauce	4 oz.	350 – 200	1	30 gal.	960	40 gal.	1280



ITEM	PORTION SIZE	TEMP. (°F)	BATCHES PER HOUR	VG30/VE30		VG40/VE40	
				QTY.	PER LOAD PORTIONS	QTY.	PER LOAD PORTIONS
<b>VEGETABLES</b>							
<b>CANNED</b>	3 oz.	400	6	30 lb.	125	45 lb.	200
<b>FRESH</b>							
Beans, Wax, Green	3 oz.	400	3	25 lb.	125	50 lb.	250
Beets	3 oz.	400	1	30 lb.	125	60 lb.	300
Broccoli	3 oz.	400	3	25 lb.	125	40 lb.	200
Cabbage	3 oz.	400	5	20 lb.	80	30 lb.	125
Carrots	3 oz.	400	2	35 lb.	150	70 lb.	300
Cauliflower	3 oz.	250	5	15 lb.	75	25 lb.	125
Corn	1 Ear	400	8	50 ears	50	75 ears	75
Potatoes	3 oz.	400	2	40 lb.	200	60 lb.	300
Spinach	4 oz.	250	10	6 lb.	25	9 lb.	35
Turnips	4 oz.	400	2	20 lb.	100	30 lb.	150
<b>FROZEN</b>							
Beans, French Green	3 oz.	400	6	15 lb.	60	22½ lb.	90
Lima Beans	3 oz.	250	4	15 lb.	60	22½ lb.	90
Broccoli	3 oz.	400	8	12 lb.	50	18 lb.	75
Sliced Carrots	3 oz.	250	6	15 lb.	60	22½ lb.	90
Small Whole Carrots	3 oz.	250	3	15 lb.	50	22½ lb.	90
Corn	3 oz.	250	18	15 lb.	50	22½ lb.	90
Small Whole Onions	3 oz.	250	7	15 lb.	50	22½ lb.	90
Peas	3 oz.	400	10	15 lb.	75	22½ lb.	110
Spinach	3 oz.	400	3	15 lb.	75	22½ lb.	110
<b>DESSERTS, PUDDINGS, SWEET SAUCES</b>							
Butterscotch Sauce	1 oz.	200	1	30 gal.	3840	40 gal.	5120
Cherry Cobbler	3 oz.	200	1	30 gal.	1280	40 gal.	1707
Chocolate Sauce	1 oz.	200	1	30 gal.	3840	40 gal.	5120
Cornstarch Pudding	4 oz.	200	1	30 gal.	960	40 gal.	1280
Fruit Gelatin	3 oz.	250	2	30 gal.	1280	40 gal.	1707
<b>MEAT – POULTRY</b>							
Bacon	3 Slices	350	12	2 lb.	10	3 lb.	15
<b>BEEF</b>							
Amer. Chop Suey	6 oz.	400 – 225	2	30 gal.	640	40 gal.	853
Beef Stew	8 oz.	300	—	30 gal.	480	40 gal.	640
Corned Beef Hash	5 oz.	400	5	20 lb.	60	30 lb.	90
Cheeseburger	3 oz.	300	12	7 lb.	35	10 lb.	50
Hamburger	3 oz.	300	15	7 lb.	35	10 lb.	50
Meatballs	1 oz.	400 – 225	3	12½ lb.	65	18 lb.	100
Pot Roast	2 oz.	350 – 200		120 lb.	500	180 lb.	750
Salisbury Steak	5 oz.	400	3	16 lb.	50	24 lb.	75
Sirloin Steak	6 oz.	400	5	15 lb.	40	22½ lb.	60
Swiss Steak	4 oz.	300 – 200	1	25 lb.	110	40 lb.	160

ITEM	PORTION SIZE	TEMP. (°F)	BATCHES PER HOUR	VG30/VE30 PER LOAD		VG40/VE40 PER LOAD	
				QTY.	PORTIONS	QTY.	PORTIONS
<b>CHICKEN</b>							
Pan Fried	2 – 1/4's	350	3	50 pieces	25	80 pieces	40
Whole	2 oz.	350 – 200		16 – 5 lb.	200	24 – 5 lb.	265
<b>FRANKFURTERS</b>							
Grilled	2 oz.	300	8	22 lb.	176	33 lb.	264
Boiled	2 oz.	250	12	16 lb.	128	25 lb.	200
<b>PORK</b>							
Ham Steak	3 oz.	400	8	10 lb.	50	15 lb.	75
Pork Chops	5 oz.	350	4	15 lb.	50	25 lb.	75
Sausage Links	3 links	350	7	30 lb.	120	45 lb.	180
<b>TURKEY</b>							
Off Carcass	2 oz.	400 – 200	—	3–26 to 30 lb.	200	4–26 to 30 lb.	275
On Carcass	2 oz.	400 – 200	—	4–16 to 20 lb.	175	6–16 to 20 lb.	265
<b>MISCELLANEOUS</b>							
Grilled Cheese Sandwich	1 sand.	400	8	40 sand.	40	50 sand.	50
Macaroni & Cheese	8 oz.	200	2	30 gal.	480	40 gal.	640
Rice	4 oz.	350 – 225	1	20 lb. raw	320	40 lb. raw	650
Spaghetti	4 oz.	350 – 225	2	8 lb. raw	200	12 lb. raw	300

# COOKING GUIDELINES (Metric Measurements)

The guidelines given below are suggested quantities, temperature settings and estimated numbers of orders per load and per hour. When two temperatures are given, the first is to start the product and the second is to finish the product.

The following temperatures should be used:

	Temperature (°C)
Simmering	93.3 Max.
Sautéing	107 to 135
Searing	149 to 177
Frying	163 to 191
Grilling	177 to 218

ITEM	PORTION SIZE	TEMP. (°C)	BATCHES PER HOUR	VG30/VE30 PER LOAD		VG40/VE40 PER LOAD	
				QTY.	PORTIONS	QTY.	PORTIONS
<b>BREAKFAST FOODS</b>							
Bacon	3 Slices	177	12	0.9 kg	10	1.4 kg	15
Eggs							
–Boiled-Hard	1 egg	107	5	50 eggs	50	75 eggs	75
–Boiled-Soft	1 egg	107	8	50 eggs	50	75 eggs	75
–Fried	1 egg	204	4	30 eggs	30	45 eggs	45
–Poached	1 egg	107	5	36 eggs	36	60 eggs	60
–Scrambled	1½ eggs	149 – 93	1	68 L	720	106 L	1100
French Toast	3 slices	218	7	35 slices	12	50 slices	17
Regular Oatmeal	118 mL	121	2	9 kg	500	18 kg	1000
Pancakes	2 each	204	10	30 ea.	15	50 ea.	25
<b>FISH</b>							
Clams	473 mL	204	10	9 L	20	14 L	30
Fish Cakes	57 to 85 g	204	5	70 – 85 g	35	110 – 85 g	55
Haddock Fillet	113 g	204	4	60 – 113 g	60	90 – 113 g	90
Halibut Steak	142 g	218	3	60 – 113 g	60	90 – 113 g	90
Lobster	1 – 0.5 kg	177	4	20 – 0.5 kg	20	30 – 0.5 kg	30
Swordfish	142 g	218	3	50 – 142 g.	50	75 – 142 g	75
<b>SAUCES, GRAVIES, SOUPS</b>							
Brown Gravy	28 g	177 – 93	2	114 L	3840	151 L	5120
Cream Sauce	57 g	121 – 79	1	114 L	1920	151 L	2560
Cream Soup	170 g	93	1	114 L	640	151 L	853
French Onion Soup	170 g	107	1	114 L	640	151 L	853
Meat Sauce	113 g	177 – 93	1	114 L	960	151 L	1280

ITEM	PORTION SIZE	TEMP. (°C)	BATCHES PER HOUR	VG30/VE30		VG40/VE40	
				QTY.	PORTIONS	QTY.	PORTIONS
<b>VEGETABLES</b>							
<b>CANNED</b>	85 g	204	6	14 kg	125	20 kg	200
<b>FRESH</b>							
Beans, Wax, Green	85 g	204	3	11 kg	125	23 kg	250
Beets	85 g	204	1	14 kg	125	27 kg	300
Broccoli	85 g	204	3	11 kg	125	18 kg	200
Cabbage	85 g	204	5	9 kg	80	14 kg	125
Carrots	85 g	204	2	16 kg	150	32 kg	300
Cauliflower	85 g	121	5	7 kg	75	11 kg	125
Corn	1 Ear	204	8	50 ears	50	75 ears	75
Potatoes	85 g	204	2	18 kg	200	27 kg	300
Spinach	113 g	121	10	3 kg	25	4 kg	35
Turnips	113 g	204	2	9 kg	100	14 kg	150
<b>FROZEN</b>							
Beans, French Green	85 g	204	6	7 kg	60	10 kg	90
Lima Beans	85 g	121	4	7 kg	60	10 kg	90
Broccoli	85 g	204	8	5 kg	50	8 kg	75
Sliced Carrots	85 g	121	6	7 kg	60	10 kg	90
Small Whole Carrots	85 g	121	3	7 kg	50	10 kg	90
Corn	85 g	121	18	7 kg	50	10 kg	90
Small Whole Onions	85 g	121	7	7 kg	50	10 kg	90
Peas	85 g	204	10	7 kg	75	10 kg	110
Spinach	85 g	204	3	7 kg	75	10 kg	110
<b>DESSERTS, PUDDINGS, SWEET SAUCES</b>							
Butterscotch Sauce	28 g	93	1	114 L	3840	151 L	5120
Cherry Cobbler	85 g	93	1	114 L	1280	151 L	1707
Chocolate Sauce	28 g	93	1	114 L	3840	151 L	5120
Cornstarch Pudding	113 g	93	1	114 L	960	151 L	1280
Fruit Gelatin	85 g	121	2	114 L	1280	151 L	1707
<b>MEAT – POULTRY</b>							
Bacon	3 Slices	177	12	0.9 kg	10	1 kg	15
<b>BEEF</b>							
Amer. Chop Suey	170 g	204 – 107	2	114 L	640	151 L	853
Beef Stew	0.2 kg	149	—	114 L	480	151 L	640
Corned Beef Hash	142 g	204	5	9 kg	60	14 kg	90
Cheeseburger	85 g	149	12	3 kg	35	5 kg	50
Hamburger	85 g	149	15	3 kg	35	5 kg	50
Meatballs	28 g	204 – 107	3	6 kg	65	8 kg	100
Pot Roast	57 g	177 – 93		54 kg	500	82 kg	750
Salisbury Steak	142 g	204	3	7 kg	50	11 kg	75
Sirloin Steak	170 g	204	5	7 kg	40	10 kg	60
Swiss Steak	113 g	149 – 93	1	11 kg	110	18 kg	160

ITEM	PORTION SIZE	TEMP. (°C)	BATCHES PER HOUR	VG30/VE30 PER LOAD		VG40/VE40 PER LOAD	
				QTY.	PORTIONS	QTY.	PORTIONS
<b>CHICKEN</b>							
Pan Fried	2 – 1/4's	177	3	50 pieces	25	80 pieces	40
Whole	57 g	177 – 93		16 – 2 kg	200	24 – 2 kg	265
<b>FRANKFURTERS</b>							
Grilled	57 g	149	8	10 kg	176	15 kg	264
Boiled	57 g	121	12	7 kg	128	11 kg	200
<b>PORK</b>							
Ham Steak	85 g	204	8	5 kg	50	7 kg	75
Pork Chops	142 g	177	4	7 kg	50	11 kg	75
Sausage Links	3 links	177	7	14 kg	120	10 kg	180
<b>TURKEY</b>							
Off Carcass	57 g	204 – 93	—	3 – 12 to 14 kg	200	4 – 12 to 14 kg	275
On Carcass	57 g	204 – 93	—	4 – 7 to 9 kg	175	6 – 7 to 9 kg	265
<b>MISCELLANEOUS</b>							
Grilled Cheese Sandwich	1 sand.	204	8	40 sand.	40	50 sand.	50
Macaroni & Cheese	0.2 kg	93	2	114 L	480	151 L	640
Rice	113 g	177 – 107	1	9 kg raw	320	18 kg raw	650
Spaghetti	113 g	177 – 107	2	4 kg raw	200	5 kg raw	300

# MAINTENANCE

**⚠ WARNING** The tilting braising pan and its parts are hot. Use care when operating, cleaning or servicing the braising pan.

**⚠ WARNING** Disconnect the electrical power to the machine and follow lockout / tagout procedures before performing any maintenance.

## LUBRICATION

### Lid Mechanism

1. The lid lift mechanism and tension spring are located behind the backsplash (sheet metal panel behind the braising pan) on both the left and right rear corners of the braising pan.
2. Take the cover off by prying and lifting up (Fig. 7).
3. For smooth operation of the lid, lubricate these mechanisms with 8 to 10 drops of lubricating machine oil every 6 months. Place a few drops of oil between the lid arm and stationary block, and a few drops on the shaft around which the spring is coiled.
4. Replace the cover to maintain smooth operation.

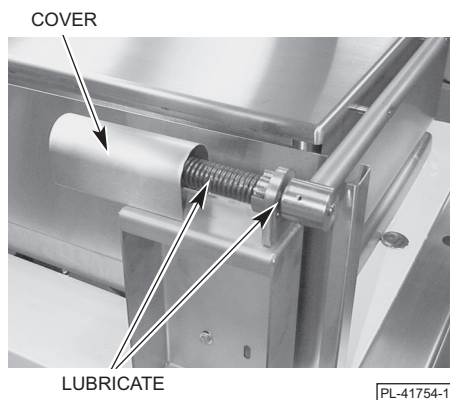


Fig. 7

## ADJUSTMENTS

At least twice a year, have a Vulcan authorized service person clean and adjust the tilting braising pan for maximum performance.

## FLUE

When cool, annually check the flue. Clean the flue of any grease buildup or other obstructions that can affect the flow of the flue gases from the braising pan.

## SERVICE AND PARTS INFORMATION

To obtain service and parts information concerning the tilting braising pan, contact the Vulcan service agency in your area (refer to listing supplied with the braising pan) or Vulcan service department at the address or phone number shown on the front cover of this manual.

# TROUBLESHOOTING

## GAS HEAT BRAISING PANS

<b>Problem</b>	<b>Possible Cause</b>
Burners do not come on.	<ol style="list-style-type: none"><li>1. The power supply is off.</li><li>2. The gas supply to the braising pan is off.</li><li>3. The thermostat is not turned on.</li><li>4. The gas valve is off.</li><li>5. The pan is not in the lowest position.</li><li>6. Problem with the gas control system. Contact your Vulcan authorized servicer.</li></ol>
Burners produce carbon deposits.	<ol style="list-style-type: none"><li>1. Braising pan frame is not level.</li><li>2. Wrong size orifices.</li><li>3. Burner air is not adjusted properly.</li><li>4. Wrong gas supply</li><li>5. Incorrect pressure at supply.</li></ol>

## ELECTRIC HEAT BRAISING PANS

<b>Problem</b>	<b>Possible Cause</b>
Heating elements do not come on.	<ol style="list-style-type: none"><li>1. The power supply is off.</li><li>2. The thermostat is not turned on.</li><li>3. Blown fuse in field electrical box.</li><li>4. Pan is not in the lowest position.</li><li>5. Problem with the control circuits. Contact your Vulcan authorized servicer.</li></ol>

— NOTES —



— NOTES —

## DÉPANNAGE

### BRAISIÈRES À GAZ

<b>Problème</b>	Les brûleurs ne s'allument pas.
<b>Cause possible</b>	<ol style="list-style-type: none"> <li>1. L'alimentation électrique est coupée.</li> <li>2. L'alimentation en gaz de la braisière est coupée.</li> <li>3. Le thermostat est éteint.</li> <li>4. Le robinet d'alimentation en gaz est fermé.</li> <li>5. La braisière n'est pas dans sa position la plus basse.</li> <li>6. Problème avec le système de commande du gaz. Contactez votre technicien d'entretien agréé Vulcan.</li> </ol>
	<ol style="list-style-type: none"> <li>1. Le cadre de la braisière n'est pas de niveau.</li> <li>2. Orifices de mauvaises tailles.</li> <li>3. L'air du brûleur n'est pas réglé correctement.</li> <li>4. Mauvaise alimentation en gaz</li> <li>5. Pression incorrecte à l'alimentation.</li> </ol>

### BRAISIÈRES ÉLECTRIQUES

<b>Problème</b>	Les éléments chauffants ne s'allument pas.
<b>Cause possible</b>	<ol style="list-style-type: none"> <li>1. L'alimentation électrique est coupée.</li> <li>2. Le thermostat est éteint.</li> <li>3. Fusible grillé dans le boîtier électrique sur site.</li> <li>4. La braisière n'est pas dans sa position la plus basse.</li> <li>5. Problème avec les circuits de commande. Contactez votre technicien d'entretien agréé Vulcan.</li> </ol>

# ENTRETIEN

**AVERTISSEMENT** La braisière et ses pièces sont chaudes. Faites attention lorsque vous utilisez, nettoyez ou entreprenez la braisière.

**AVERTISSEMENT** Coupez l'alimentation électrique à la braisière et suivez les procédures de verrouillage/d'étiquetage avant d'effectuer l'entretien.

## LUBRIFICATION

### Mécanisme du couvercle

1. Le mécanisme de levage du couvercle et le ressort de tension sont situés derrière le dossier (panneau de tôle derrière la braisière) sur les deux coins arrière gauche et droit de la braisière.
2. Forcez l'ouverture de la cache et enlevez-la (fig. 7).
3. Pour assurer un bon fonctionnement du couvercle, lubrifiez ces mécanismes avec 8 à 10 gouttes d'huile lubrifiante tous les 6 mois. Placez quelques gouttes d'huile entre le bras du couvercle et le bloc fixe, et quelques gouttes sur l'arbre autour duquel le ressort est enroulé.
4. Remplacez la cache pour maintenir le bon fonctionnement.

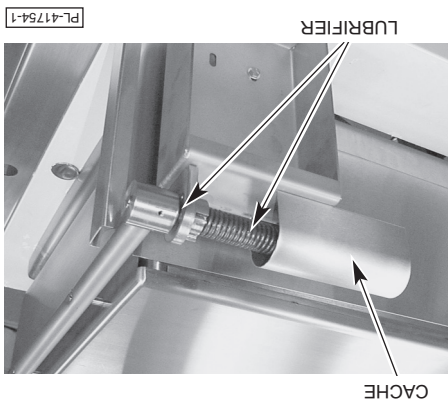


Fig. 7

## RÉGLAGES

Au moins deux fois par an, demandez à un technicien Vulcan autorisé de nettoyer et de régler la braisière basculante afin d'assurer une performance maximale.

## CONDUIT DE FUMÉE

Une fois refroidi, vérifiez chaque année le conduit de fumée. Nettoyez le conduit de toute accumulation de graisse ou d'autres obstructions pouvant affecter l'écoulement des gaz de combustion de la braisière.

## RENSEIGNEMENTS SUR L'ENTRETIEN ET LES PIÈCES

Pour obtenir des renseignements sur l'entretien et les pièces concernant la braisière, communiquez avec l'agence de service Vulcan de votre région (reportez-vous à la liste fournie avec la braisière) ou avec le service auxiliaire de Vulcan à l'adresse ou au numéro de téléphone indiqués sur la page de couverture de ce manuel.

ALIMENT	PORTION	TAILLE	TEMP. (°C)	LOTS PAR HEURE	VG30/VE30 PAR CHARGE PORTIONS	QTE PORTIONS	VG40/VE40 PAR CHARGE PORTIONS
<b>POULET</b>							
Poêle	2 - 1/4		177	3	50 morceaux	25	80 morceaux
Entier	57 g		177 - 93		16 - 2 kg	200	24 - 2 kg
<b>SAUCISSES FUMÉES</b>							
Grillée	57 g	149	8	10 kg	176	15 kg	264
Bouillie	57 g	121	12	7 kg	128	11 kg	200
<b>PORC</b>							
Tranche de jambon	85 g	204	8	5 kg	50	7 kg	75
Côtes de porc	142 g	177	4	7 kg	50	11 kg	75
Chapelet de saucisses	3 chapelets	177	7	14 kg	120	10 kg	180
<b>DINDE</b>							
Hors carcasse	57 g	204 - 93	—	3 - 12 à 14 kg	200	4 - 12 à 14 kg	275
Sur carcasse	57 g	204 - 93	—	4 - 7 à 9 kg	175	6 - 7 à 9 kg	265
<b>DIVERS</b>							
Sandwich au fromage fondu	1 sandwich	204	8	40 sandwichs	40	50 sandwichs	50
Macaroni au fromage	0,2 kg	93	2	114 L	480	151 L	640
Riz	113 g	177 - 107	1	9 kg (non cuit)	320	18 kg (non cuit)	650
Spaghetti	113 g	177 - 107	2	4 kg (non cuit)	200	5 kg (non cuit)	300

ALIMENT	PORTION TAILLE	TEMP. (°C)	LOTS PAR HEURE	QTE PAR CHARGE VG30/VE30	QTE PAR CHARGE VG40/VE40	PORTIONS
<b>LÉGUMES</b>						
<b>CONSERVES</b>	85 g	204	6	14 kg	20 kg	200
<b>FRAIS</b>						
Haricots, jaune, vert	85 g	204	3	11 kg	125	250
Betteraves	85 g	204	1	14 kg	125	300
Brocoli	85 g	204	3	11 kg	125	200
Chou	85 g	204	5	9 kg	80	125
Carottes	85 g	204	2	16 kg	150	300
Chou-fleur	85 g	121	5	7 kg	75	125
Maïs	1 épi	204	8	50 épis	50	75
Pommes de terre	85 g	204	2	18 kg	200	300
Épinards	113 g	121	10	3 kg	25	35
Navets	113 g	204	2	9 kg	100	150
<b>CONGELÉ</b>						
Haricots verts à la française	85 g	204	6	7 kg	60	90
Haricots de Lima	85 g	121	4	7 kg	60	90
Brocoli	85 g	204	8	5 kg	50	75
Carottes tranchées	85 g	121	6	7 kg	60	90
Petites carottes entières	85 g	121	3	7 kg	50	90
Maïs	85 g	121	18	7 kg	50	90
Petits oignons entiers	85 g	121	7	7 kg	50	90
Pois	85 g	204	10	7 kg	75	110
Épinards	85 g	204	3	7 kg	75	110
<b>DESSERTS, PUDDINGS, SAUCES SUCRÉES</b>						
Sauce caramel	28 g	93	1	114 L	3 840	5 120
Cobbler cerise	85 g	93	1	114 L	1 280	1 707
Sauce au chocolat	28 g	93	1	114 L	3 840	5 120
Pudding de féculé de maïs	113 g	93	1	114 L	960	1 280
Gélatine aux fruits	85 g	121	2	114 L	1 280	1 707
<b>VIANDE - VOLAILLE</b>						
Bacon	3 tranches	177	12	0,9 kg	10	15
<b>BEUF</b>						
Chop suey américain	170 g	204 - 107	2	114 L	640	853
Ragoût de bœuf	0,2 kg	149	—	114 L	480	640
Hachis de bœuf	142 g	204	5	9 kg	60	90
Hamburger au fromage	85 g	149	12	3 kg	35	50
Hamburger	85 g	149	15	3 kg	35	50
Boulettes de viande	28 g	204 - 107	3	6 kg	65	100
Morceau à braiser	57 g	177 - 93		54 kg	500	750
Bifteck Salisbury	142 g	204	3	7 kg	50	75
Bifteck de surlonge	170 g	204	5	7 kg	40	60
Bifteck à la suisse	113 g	149 - 93	1	11 kg	110	160

## DIRECTIVES DE CUISSON (mesures métriques)

Les directives données ci-dessous sont des quantités suggérées, des réglages de température et des nombres estimés de commandes par charge et par heure. Lorsque deux températures sont données, la première consiste à démarquer la cuisson du produit et la seconde à terminer la cuisson du produit. Les températures suivantes devraient être utilisées :

### Température (°C)

Mijoter	93,3 max.				
Sauter	107 à 135				
Saisir	149 à 177				
Faire frire	163 à 191				
Griller	177 à 218				
<b>ALIMENT</b>	<b>PORTION</b>	<b>TEMP. (°C)</b>	<b>LOTS PAR HEURE</b>	<b>QTE PAR CHARGE VG30/VE30</b>	<b>QTE PAR CHARGE VG40/VE40</b>

### DÉJUNER

Bacon	3 tranches	177	12	0,9 kg	10	1,4 kg	15
-------	------------	-----	----	--------	----	--------	----

Œufs

- bouilli - dur

- bouilli - à la coque

- poêle

- poché

- brouillé

Pain doré

Gruau régulier

Crêpes

### POISSON

Myses	473 mL	204	10	9 L	20	14 L	30
-------	--------	-----	----	-----	----	------	----

Fricadelle de poisson

Filet d'églefin

Darne de flétan

Homard

Espadon

### SAUCES ET SOUPES

Sauce brune	28 g	177 - 93	2	114 L	3 840	151 L	5120
-------------	------	----------	---	-------	-------	-------	------

Sauce crème

Potage crème

Soupe à l'oignon

Sauce à la viande

Sauce à la viande	113 g	177 - 93	1	114 L	960	151 L	1 280
-------------------	-------	----------	---	-------	-----	-------	-------

Sauce à la viande	113 g	177 - 93	1	114 L	960	151 L	1 280
-------------------	-------	----------	---	-------	-----	-------	-------

Sauce à la viande	113 g	177 - 93	1	114 L	960	151 L	1 280
-------------------	-------	----------	---	-------	-----	-------	-------

ALIMENT	PORTION	TAILLE	TEMP. (°F)	LOTS PAR HEURE	QTE PORTIONS	VG30/VE30 PAR CHARGE	QTE PORTIONS	VG40/VE40 PAR CHARGE
<b>POULET</b>								
Poêle	2 - 1/4		350	3	50 morceaux	25	80 morceaux	40
Entier	2 oz		350 - 200		16 - 5 lb	200	24 - 5 lb	265
<b>SAUCISSES FUMÉES</b>								
Grillée	2 oz		300	8	22 lb	176	33 lb	264
Bouillie	2 oz		250	12	16 lb	128	25 lb	200
<b>PORC</b>								
Tranche de jambon	3 oz		400	8	10 lb	50	15 lb	75
Côtes de porc	5 oz		350	4	15 lb	50	25 lb	75
Chapelet de saucisses	3 chapelets		350	7	30 lb	120	45 lb	180
<b>DINDE</b>								
Hors carcasse	2 oz		400 - 200	—	3-26 à 30 lb	200	4-26 à 30 lb	275
Sur carcasse	2 oz		400 - 200	—	4-16 à 20 lb	175	6-16 à 20 lb	265
<b>DIVERS</b>								
Sandwich au fromage fondu	1 sandwich		400	8	40 sandwichs	40	50 sandwichs	50
Macaroni au fromage	8 oz		200	2	30 gal	480	40 gal	640
Riz	4 oz		350 - 225	1	20 lb (non cuit)	320	40 lb (non cuit)	650
Spaghetti	4 oz		350 - 225	2	8 lb (non cuit)	200	12 lb (non cuit)	300

ALIMENT	PORTION	TAILLE	TEMP. (°F)	LOTS PAR HEURE	VG30/VE30 QTE PAR CHARGE	VG40/VE40 QTE PAR CHARGE
<b>LÉGUMES</b>						
<b>CONSERVES</b>	3 oz	400		6	30 lb	45 lb
<b>FRAIS</b>						
Haricots, jaune, vert	3 oz	400		3	25 lb	125
Betteraves	3 oz	400		1	30 lb	125
Brocoli	3 oz	400		3	25 lb	125
Chou	3 oz	400		5	20 lb	80
Carottes	3 oz	400		2	35 lb	150
Chou-fleur	3 oz	250		5	15 lb	75
Mais	1 épi	400		8	50 épis	75 épis
Pommes de terre	3 oz	400		2	40 lb	200
Épinards	4 oz	250		10	6 lb	25
Navets	4 oz	400		2	20 lb	100
<b>CONGELÉ</b>						
Haricots verts à la française	3 oz	400		6	15 lb	60
Haricots de Lima	3 oz	250		4	15 lb	60
Brocoli	3 oz	400		8	12 lb	50
Carottes tranchées	3 oz	250		6	15 lb	60
Petites carottes entières	3 oz	250		3	15 lb	50
Mais	3 oz	250		18	15 lb	50
Petits oignons entiers	3 oz	250		7	15 lb	50
Pois	3 oz	400		10	15 lb	75
Épinards	3 oz	400		3	15 lb	75
<b>DESSERTS, PUDDINGS, SAUCES SUCRÉES</b>						
Sauce caramel	1 oz	200		1	30 gal	3 840
Sauce au chocolat	3 oz	200		1	30 gal	1 280
Cobbler cerise	3 oz	200		1	30 gal	1 280
Sauce au chocolat	1 oz	200		1	30 gal	3 840
Pudding de fécule de maïs	4 oz	200		1	30 gal	960
Gélatine aux fruits	3 oz	250		2	30 gal	1 280
<b>VIANDE - VOLAILLE</b>						
Bacon	3 tranches	350		12	2 lb	10
<b>BŒUF</b>						
Chop suey américain	6 oz	400 - 225		2	30 gal	640
Ragout de bœuf	8 oz	300		—	30 gal	480
Hachis de bœuf	5 oz	400		5	20 lb	60
Hamburger au fromage	3 oz	300		12	7 lb	35
Hamburger	3 oz	300		15	7 lb	35
Boulettes de viande	1 oz	400 - 225		3	12 1/2 lb	65
Morceau à braiser	2 oz	350 - 200			120 lb	500
Bifteck Salisbury	5 oz	400		3	16 lb	50
Bifteck de surlonge	6 oz	400		5	15 lb	40
Bifteck à la suisse	4 oz	300 - 200		1	25 lb	110



## DIRECTIVES DE CUISSON (mesures impériales)

Les directives données ci-dessous sont des quantités suggérées, des réglages de température et des nombres estimés de commandes par charge et par heure. Lorsque deux températures sont données, la première consiste à démarrer la cuisson du produit et la seconde à terminer la cuisson du produit. Les températures suivantes devraient être utilisées :

### Température (°F)

200 max.

225 à 275

300 à 350

325 à 375

350 à 425

ALIMENT	PORTION TAILLE	TEMP. (°F)	LOTS PAR HEURE	VG30/VE30 PAR CHARGE PORTIONS	VG40/VE40 PAR CHARGE PORTIONS
---------	-------------------	---------------	----------------------	-------------------------------------	-------------------------------------

### DÉJUNER

Bacon	3 tranches	350	12	2 lb	10	3 lb	15
-------	------------	-----	----	------	----	------	----

Œufs

– bouilli – dur

– bouilli – à la coque

– poêlé

– poché

– brouillé

Pain doré

Granao régulier

Crêpes

### POISSON

Myses

Fricadelle de poisson

Filet d'églefin

Darne de flétan

Homard

Espadon

### SAUCES ET SOUPES

Sauce brune

Sauce crème

Potage crème

Soupe à l'oignon

Sauce à la viande

Sauce brune	1 oz	350 – 200	2	30 gal	3 840	40 gal	5 120
Sauce crème	2 oz	250 – 175	1	30 gal	1 920	40 gal	2 560
Potage crème	6 oz	200	1	30 gal	640	40 gal	853
Soupe à l'oignon	6 oz	225	1	30 gal	640	40 gal	853
Sauce à la viande	4 oz	350 – 200	1	30 gal	960	40 gal	1 280

Lorsque vous nettoyez la braisière, il est utile de remplir la braisière d'environ 10 gallons (38 L) d'eau chaude et d'ajouter du détergent. Après le nettoyage, soulevez la braisière pour vider toute l'eau (placez un seau ou un récipient sous le bec verseur). Répétez ensuite ces étapes pour le rinçage à l'eau propre.

Nettoyez les autres surfaces en acier inoxydable avec un chiffon humide et polissez avec un chiffon doux et sec. Pour éliminer toute décoloration, utilisez un agent nettoyant non abrasif. Si vous utilisez la braisière très souvent, envisagez de passer par les procédures de nettoyage hebdomadaires plus d'une fois par semaine.

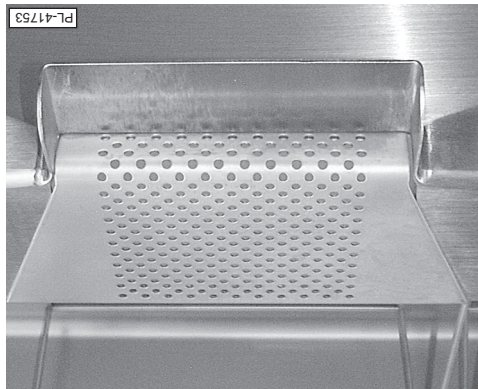
Nettoyez la surface de la braisière à fond. Si nécessaire, utilisez un bloc ou une brosse à grille sur la surface. Du détergent peut être utilisé sur la surface de la braisière pour aider à la nettoyer, mais assurez-vous que le détergent est complètement enlevé.

### Une fois semaine

Nettoyer soigneusement le dos, les côtés et l'avant de la braisière. Nettoyez également les surfaces intérieures et extérieures du couvercle.

### Une fois par jour

Fig. 6



Nettoyez la surface de la braisière avec une spatule flexible. Retirez le passoire (fig. 6) sur le bec verseur de la braisière en la tirant vers l'arrière de la braisière. Nettoyez la passoire dans un évier. Rincez abondamment la braisière avec un chiffon doux et propre. Remplacez la passoire.

### Après chaque utilisation

Nettoyez votre braisière régulièrement. Gardez la surface de la plaque propre. Pour produire des produits parfaitement cuits et parfaitement braisés, gardez la surface de la braisière exempte de graisse carbonisée. La graisse carbonisée sur la surface empêche le transfert de chaleur de la braisière à la nourriture. Ceci entraîne un brunissement irrégulier et une perte d'efficacité de cuisson. Le pire de tout, la graisse carbonisée a tendance à s'accrocher aux aliments, leur donnant une apparence très insatisfaisante et peu appétissante.

**⚠️ AVERTISSEMENT** Coupez l'alimentation électrique à la braisière et suivez les procédures de verrouillage/d'étiquetage avant de nettoyer.

# NETTOYAGE

Votre braisière basculante peut être utilisée pour cuire à la vapeur des aliments congelés et frais. Les braisières de 30 gallons (114 L) (modèles VE30 ou VG30) peuvent être chargées avec un maximum de deux bacs à vapeur de 12 po x 20 po x 4 po (30 cm x 50,8 cm x 10 cm). La braisière de 40 gallons (151 L) (modèles VE40 ou VG40) acceptera jusqu'à trois bacs à vapeur de cette même taille.

Pour utiliser la braisière, remplissez la braisière de 6 à 7 gallons (23 à 26 L) d'eau (environ 2 po [5 cm] de profondeur) pour les modèles de 30 gallons (114 L) et de 8 à 9 gallons (30 à 34 L) d'eau (environ 2 po [5 cm] de profondeur) pour les modèles de 40 gallons (151 L). Réglez le thermostat à 212 °F (100 °C). Laissez l'eau bouillir. Réglez ensuite le thermostat à 250 °F (121 °C) et placez soigneusement les accessoires à vapeur dans la braisière comme indiqué à la figure 5. Placez le plat avec le produit dans l'accessoire à vapeur. Fermez le couvercle et laissez cuire à la vapeur pendant le temps désiré.

Inspectez périodiquement le niveau d'eau à l'intérieur de la braisière. Ajoutez de l'eau si le niveau d'eau est inférieur à 1/2 po (1 cm) de profondeur. Pour utiliser la braisière comme chauffe-plats ou bain-marie, suivez la même procédure que pour la cuisson à la vapeur, mais augmentez la profondeur de l'eau pour permettre au fond et aux côtés des accessoires à vapeur d'être immergés dans l'eau. Réglez le thermostat pour la température de maintien ou de réchauffement désirée.

Les accessoires à vapeur peuvent être commandés auprès de votre revendeur.

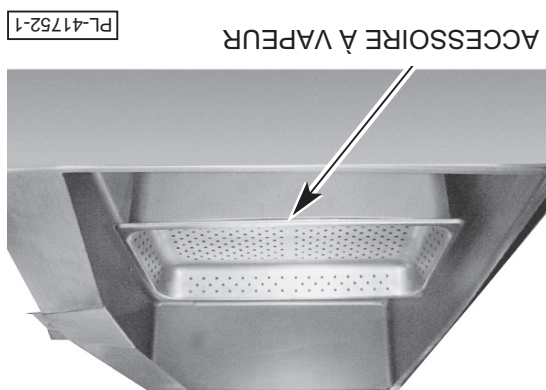


Fig. 5

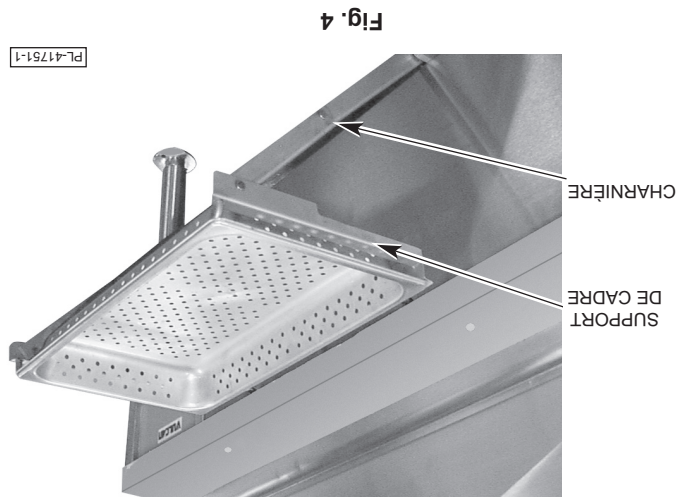
## UTILISATIONS SUGGÉRÉES POUR VOTRE BRAISIÈRE

N'utilisez PAS la braisière pour la **friture**. Restreignez l'activité de friture au bac peu profond (film d'huile pas plus de 1/8 po [0,3 cm] d'épaisseur) pour frire ou sauter.

Une braisière est très polyvalente. Elle peut être utilisée pour rôtir, mijoter, bouillir, sauter, saisir, frire, réchauffer, maintenir au chaud, fermenter, décongeler, faire dorer, cuire à la vapeur, braiser, griller ou cuire. Elle peut être utilisée comme une poêle surdimensionnée, comme un bain-marie, comme un four à fermentation, comme une marmitte, comme une bouilloire ou comme une cuisinière de chaleur uniforme. Elle peut être utilisée pour la préparation des déjeuners, dîners et soupers.

Votre braisière basculante Vulcan est un appareil polyvalent qui peut être utilisé pour pratiquement n'importe quel type de cuisson, à l'exception de la friture, à grande vitesse, en grande quantité et avec des économies considérables de main-d'œuvre et d'énergie.

## ACCESSOIRES DE VAPEUR (facultatifs)



Toutes les brosses sont munies d'un support de cadre (fig. 4) pour contenir un bac de réception de nourriture aux fins de déchargement des aliments préparés.

Tirez le support de cadre vers l'extérieur et vers le haut jusqu'à ce qu'il se verrouille. Le support acceptera des bacs de réception de nourriture de 12 po x 20 po (30 cm x 50 cm) jusqu'à 6 po (15 cm) de profondeur. Lorsque vous abaissez le support de cadre, appuyez sur les charnières jusqu'à ce qu'elles se plient, puis abaissez le support.

### DÉCHARGEMENT DES ALIMENTS PRÉPARÉS

1. Le lavage automatique ne peut pas lever la brosserie à moins que le couvercle ne soit complètement ouvert.
2. Le lavage de la brosserie est contrôlé par l'interrupteur à bascule gris situé sur le panneau de commande (voir fig. 3).
3. Retirez toujours la manivelle de lavage manuel avant d'utiliser l'interrupteur de lavage automatique.
4. Appuyez sur la partie supérieure de l'interrupteur à bascule gris pour lever la brosserie et la partie inférieure de l'interrupteur à bascule gris pour abaisser la brosserie. L'interrupteur doit être maintenu appuyé pour le lavage ou l'abaissement continu de la brosserie.
5. En cas de panne de courant, utilisez la manivelle (fournie séparément) pour abaisser ou lever la brosserie (comme pour les brosseries avec lavage manuel).

### Brosseries avec lavage automatique (facultatif)

1. La manivelle du système de lavage manuel est expédiée séparément.
2. Il y a deux broches à une extrémité de la manivelle. Insérez la manivelle dans le trou du panneau de commande de sorte que les deux broches s'engagent dans les fentes de l'accouplement du réducteur situé derrière le panneau.
3. Tournez la manivelle dans le sens horaire pour lever la brosserie et dans le sens antihoraire pour abaisser la brosserie.
4. Ce système de lavage n'est pas affecté par une panne de courant et peut être utilisé pendant une panne de courant.
5. Reportez-vous à la section ENTRETIEN de ce manuel pour les instructions de lubrification et d'entretien.

### Brosseries avec lavage manuel (standard)

Gardez vos mains ou tout autre objet à l'écart de la zone sous et autour de la braisière lorsque vous utilisez le système de lavage.

N'obstruez pas les pièces mobiles du système de lavage situées sous le dessus côté droit et/ou gauche de la braisière. Cette zone doit être dégagée de tout objet ou obstruction en tout temps.

Ne laissez pas la braisière en position HAUTE pendant des périodes prolongées (p. ex., pendant la nuit ou pendant une période d'arrêt entre les heures de cuisson).

## UTILISATION DU SYSTÈME DE LAVAGE

Le couvercle fonctionne à ressorts et restera dans n'importe quelle position à laquelle il est placé. Après un certain temps, les ressorts peuvent avoir besoin d'être resserrés. Appelez le technicien d'entretien agréé Vulcan local pour effectuer ces réglages.

N'huilez pas la plaque en acier inoxydable en réglant la température bien au-dessus des températures recommandées ou en faisant fonctionner la braisière sans aucun liquide à l'intérieur de la braisière pour absorber la chaleur. La surchauffe de la plaque peut provoquer un gauchissement et carboniser toute l'huile de cuisson sur la plaque et provoquer un collage.

Ne surchauffez pas la plaque en acier inoxydable en réglant la température bien au-dessus des températures recommandées ou en faisant fonctionner la braisière sans aucun liquide à l'intérieur de la braisière pour absorber la chaleur. La surchauffe de la plaque peut provoquer un gauchissement et carboniser toute l'huile de cuisson sur la plaque et provoquer un collage.

N'utilisez PAS la braisière comme une **friteuse**. Utilisez-la uniquement pour la friture peu profonde (le film d'huile de cuisson ne doit pas dépasser 1/8 po [0,3 cm] d'épaisseur). Son utilisation pour la friture pourrait entraîner un risque d'incendie. Consultez la section UTILISATIONS SUGGÉRÉES POUR VOTRE BRAISIÈRE dans ce manuel pour plus d'informations.

Utilisez PAS la braisière comme une **friteuse**. Utilisez-la uniquement pour la friture peu profonde (le film d'huile de cuisson ne doit pas dépasser 1/8 po [0,3 cm] d'épaisseur). Son utilisation pour la friture pourrait entraîner un risque d'incendie. Consultez la section UTILISATIONS SUGGÉRÉES POUR VOTRE BRAISIÈRE dans ce manuel pour plus d'informations.

Pour éviter la décoloration de la surface de cuisson en acier inoxydable, ne chauffez pas à moins que la surface de la braisière ne soit recouverte d'un liquide, d'une fine couche d'huile de cuisson ou d'alliments à cuire.

Tournez le bouton du thermostat à la température de cuisson désirée.

Abaissez la braisière (voir FONCTIONNEMENT DU SYSTÈME DE LAVAGE dans ce manuel). La braisière ne fonctionnera pas lorsque la braisière est en position HAUTE (5 degrés ou plus par rapport à l'horizontale).

Mettez le bouton Marche/Arrêt à la position de marche.

Les braisières ne nécessitent aucun réglage avant le démarrage.

## Utilisation de la braisière électrique

- Thermostat Pour régler la température de cuisson désirée.
- Bouton Marche/Arrêt (noir) Pour mettre en marche ou à l'arrêt la braisière.
- Voyant ambre Lorsqu'allumé, indique que l'appareil est en marche.
- Voyant de chauffage (rouge) Lorsqu'il est allumé, indique que le thermostat effectue un appel de chaleur.
- Auto. Interrupteur de (facultatif). Appuyez sur la partie supérieure du bouton pour élever la braisière; appuyez sur la partie inférieure du bouton pour abaisser la braisière. Retirez toujours la manivelle de lavage manuel avant d'utiliser le lavage automatique (gris).
- Manivelle de lavage manuel Pour élever et abaisser la braisière.

Commandes (voir fig. 3)

## BRAISIÈRES ÉLECTRIQUES

## Allumer et éteindre la veilleuse

Les instructions d'allumage sont également situées sur le panneau avant.

1. Tournez le robinet d'alimentation principale en gaz de la braisière vers la position ON (marche).
2. Abaissez la braisière (voir FONCTIONNEMENT DU SYSTÈME DE LEVAGE dans ce manuel). La braisière ne fonctionnera pas lorsque la braisière est en position HAUTE (5 degrés ou plus par rapport à l'horizontale).
3. Mettez le bouton Marche/Arrêt à la position de marche. La position de marche est indiquée par le voyant ambre allumé sur le panneau de commande.
4. Tournez le bouton du thermostat à la température de cuisson désirée.
5. Si la veilleuse est éteinte, coupez l'alimentation en gaz et mettez le bouton Marche/Arrêt en position d'arrêt. Attendez 5 minutes avant de rallumer.

## Mise en arrêt la nuit

Mettez le bouton Marche/Arrêt à la position d'arrêt.

## Arrêt prolongé

Mettez le bouton Marche/Arrêt à la position d'arrêt et coupez l'alimentation en gaz.

## Utilisation de la braisière à gaz

La braisière ne nécessite aucun réglage avant le démarrage.

L'ouverture complète du conduit de fumée (situé à l'arrière de la braisière) doit être laissée à découvert. Mettez le bouton Marche/Arrêt à la position de marche et tournez le bouton du thermostat à la température désirée pour mettre en marche la braisière.

Pour éviter la décoloration de la surface de cuisson en acier inoxydable, ne chauffez pas à moins que la braisière ne soit recouverte d'un liquide, d'une fine couche d'huile de cuisson ou d'aliments à cuire.

N'utilisez PAS la braisière comme une **friteuse**. Utilisez-la uniquement pour la friture peu profonde (le film d'huile de cuisson ne doit pas dépasser  $\frac{1}{8}$  po [0,3 cm] d'épaisseur). Son utilisation pour la friture pourrait entraîner un risque d'incendie. Consultez la section UTILISATIONS SUGGÉRÉES POUR VOTRE BRAISIÈRE dans ce manuel pour plus d'informations.

Ne surchauffez pas la plaque en acier inoxydable en réglant la température bien au-dessus des températures recommandées ou en faisant fonctionner la braisière sans aucun liquide à l'intérieur de la braisière pour absorber la chaleur. La surchauffe de la plaque peut provoquer un gauchissement et carboniser toute l'huile de cuisson sur la plaque et provoquer un collage.

En cas de panne de courant, il n'y aura pas de flammes car la vanne de régulation combinée arrêtera le débit de gaz. En cas de panne de courant, mettez immédiatement le bouton Marche/Arrêt à la position d'arrêt. Une fois le courant rétabli, mettez le bouton Marche/Arrêt à la position de marche pour reprendre la cuisson.

Le couvercle fonctionne à ressorts et restera dans n'importe quelle position à laquelle il est placé. Après un certain temps, les ressorts peuvent avoir besoin d'être resserrés. Appelez le technicien d'entretien agréé Vulcan local pour effectuer ces réglages.

**⚠ AVERTISSEMENT** La braisière et ses pièces sont chaudes. Faites attention lorsque vous utilisez, nettoyez ou entretenez la braisière.

### AVANT LA PREMIÈRE UTILISATION

Utilisez un nettoyeur dégraissant et non corrosif de type commercial pour nettoyer les huiles de protection de métal sur toutes les parties de la surface et l'intérieur de la braisière. Suivez les instructions du fabricant de nettoyage. Rincez bien et videz la braisière. Essuyez la braisière avec un chiffon doux et propre.

### BRAISIÈRES À GAZ

#### Commandes (fig. 3)

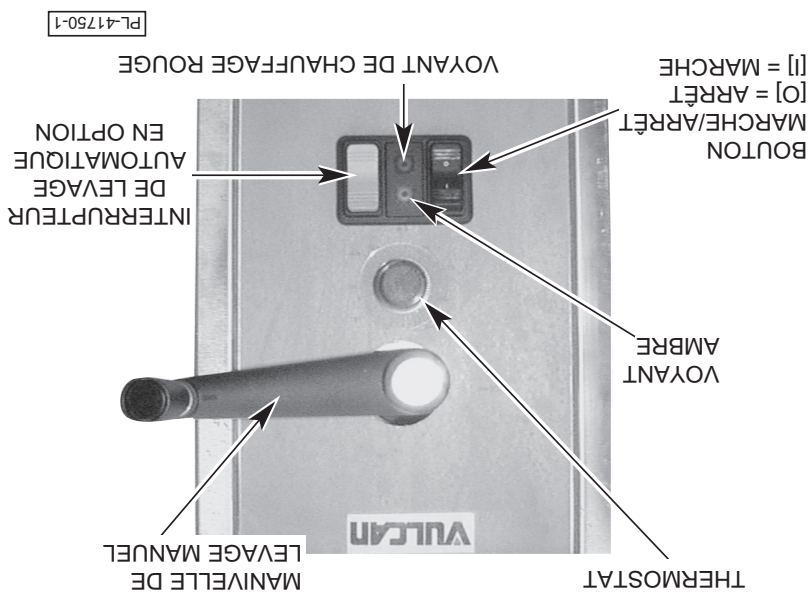


Fig. 3

- Thermostat — Pour régler la température de cuisson désirée.
- Bouton Marche/Arrêt (noir) — Pour mettre en marche ou à l'arrêt la braisière.
- Voyant ambre — Lorsqu'allumé, indique que l'appareil est en marche.
- Voyant de chauffage (rouge) — Lorsqu'il est allumé, indique que le thermostat effectue un appel de chaleur.
- Interrupteur de levage (facultatif). Appuyez sur la partie supérieure du bouton pour élever la braisière; appuyez sur la partie inférieure du bouton pour abaisser la braisière. Retirez toujours la manivelle de levage manuel avant d'utiliser l'interrupteur de levage automatique.
- Manivelle de levage manuel — Pour élever et abaisser la braisière.

# SCHEMA D'INSTALLATION

Fig. 2

MODELE	Surface de cuisson	Capacite	Portions
VE/G40	39 po x 23 po	40 gal/152 L	1 280
VE/G30	29 po x 23 po	30 gal/114 L	960

MODELE	V CA	240	V CA	480
VE40	16 kW	16 kW	16 kW	16 kW
VE30	12 kW	12 kW	12 kW	12 kW

MODELE	Entree
VG40	120 000
VG30	90 000

**BRANCHEMENTS D'ALIMENTATION :**

- 1. BRASIERE BASCULANTE A GAZ :** ENTREE DE GAZ : raccord de 3/4 po N.P.T., gaz naturel de 6 à 14 po CE, gaz propane de 11 à 18 po CE, voir le tableau concernant les capacités.
- 2. BRASIERE ELECTRIQUE :** ELECTRIQUE : cet appareil est doté d'un cordon d'alimentation de 120 V CA, 1 phase, 15 A.

**RACCORDEMENT ELECTRIQUE :** conduit de 1 po de diamètre; son raccord doit être installé par l'installateur.

**IMPORTANT :**

- Un régulateur de pression pour cet appareil est inclus. La pression d'alimentation pour le gaz naturel est de 7 po CE et le gaz propane est de 11 po CE.
- Le tuyau de gaz de raccordement à l'appareil doit être de diamètre de 3/4 po ou plus. Si des raccords flexibles sont utilisés, le diamètre intérieur doit être d'au moins le même que le tuyau en fer de 3/4 po.
- Un système de ventilation adéquat est requis pour cet équipement de cuisson commercial. Des renseignements peuvent être obtenus auprès de la National Fire Protection Association, Batterymarch Park, Quincy, MA 02289. Lors de votre communication à l'écrit, mentionnez le n° 96 NFPA.
- Ces appareils sont fabriqués pour l'installation en conformité avec ANSZZ23.1A (dernière édition), National Fuel Gas Code. Des exemplaires peuvent être obtenus auprès de l'American Gas Association, 1515 Wilson Blvd., Arlington, VA 22209.
- Dégagements :
 

Comburstible	6
Arrière	2
Côtés	0
- Cet appareil est conçu pour une utilisation commerciale seulement, il n'est pas conçu pour une utilisation domestique.



Ces valeurs sont des notations nominales. Les raccordements sur le terrain doivent être capables de supporter les surtensions prévues.

Puissance nominale (kW)	Courant nominal de ligne (A)			V (L-L)	Numéro de modèle
	1Ø	3Ø	L3		
12	57,7	33,3	33,3	208	VE30-FB
12	50,0	28,9	28,9	240	
12	-	14,4	14,4	480	
16	76,9	45,9	41,6	208	VE40-FB
16	66,7	39,7	36,1	240	
16	-	19,9	18,0	480	

**TABEAU DES DONNÉES ÉLECTRIQUES**

1. Retirez le couvercle de la boîte de raccordement. Fixez un raccord de conduit de 1 po (2,5 cm) approprié dans l'ouverture de conduit prévue sur la surface inférieure.
  2. Raccordez les fils au bornier comme indiqué sur le schéma de câblage. Le schéma de câblage se trouve à l'intérieur du couvercle de la boîte. Le fil doit être du type approprié pour un service à 75 °C et de calibre approprié pour les charges indiquées sur la plaque signalétique.
  3. Après avoir effectué les raccordements, remplacez le couvercle de la boîte de raccordements.
  4. La brassière doit être mise à la terre en installant un fil correctement mis à la terre à la cosse de mise à la terre située à l'intérieur de la boîte de raccordement.
- Le boîtier de raccordement pour le raccordement des câbles sur site des modèles VE30 et VE40 se trouve à l'arrière de la brassière. Une alvéole défonçable de 1 po (2,5 cm) est prévue pour le raccordement électrique.

**AVERTISSEMENT** Coupez l'alimentation en courant à la machine et suivez les procédures de verrouillage/d'étiquetage.

**AVERTISSEMENT** Les raccordements électriques et à la terre doivent être conformes au Code national de l'électricité et aux autres codes locaux.

**RACCORDEMENTS ÉLECTRIQUES (VOIR FIG. 2)**

**RACCORDEMENTS AU GAZ (voir fig. 2)**

Les raccords d'alimentation en gaz et la pâte à joint doivent être résistants à l'action du gaz propane. Fixez un raccord de  $\frac{3}{4}$  po (nominal) à la braisière pour l'alimentation en gaz. La pression d'entrée de gaz recommandée est de 7 po CE (colonne d'eau) (48,3 kPa) pour le gaz naturel ou 11 po CE (75,8 kPa) pour le gaz propane.

Assurez-vous que les tuyaux sont propres et libres d'obstacle, de saleté et de composés de tuyauterie. Les codes exigent qu'un robinet d'arrêt de gaz soit installé sur le tuyau de gaz avant l'alimentation en gaz à la braisière.

Les braisières au gaz naturel et au gaz propane sont munies d'orifices fixes et aucun réglage n'est nécessaire. Le collecteur est réglé à 3,7 CE (colonne d'eau) (25,5 kPa) pour le gaz naturel et 10 po CE (68,9 kPa) pour le gaz propane.

**⚠ AVERTISSEMENT** Avant la mise sous tension, vérifiez tous les joints du tuyau d'approvisionnement en gaz pour la présence des fuites. Utilisez une solution d'eau et de savon. N'utilisez pas de flamme nue.

Après que la tuyauterie a été vérifiée pour la présence de fuites, tous les tuyaux destinés à recevoir le gaz doivent être entièrement purgés pour éliminer l'air.

Le circuit de commande électrique doit être branché (voir section BRANCHEMENT AU CIRCUIT ELECTRIQUE dans ce manuel).

### TEST DU SYSTÈME D'ALIMENTATION EN GAZ

Lorsque les pressions de test dépassent  $\frac{1}{2}$  psi (3,45 kPa), la braisière et son robinet d'arrêt individuel doivent être déconnectés de la tuyauterie d'alimentation en gaz.

Lorsque les pressions de test est de  $\frac{1}{2}$  psi (3,45 kPa) ou inférieures, la braisière doit être isolée du système d'alimentation en gaz en fermant son robinet d'arrêt.

### VENTILATION

N'obstruez PAS la circulation des gaz de fumée du conduit de fumée situé à l'arrière de la braisière. Il est recommandé que les gaz de fumée soient évacués à l'extérieur du bâtiment au moyen d'un système de ventilation installé par du personnel qualifié.

Un dégagement minimal d'au moins 18 po (46 cm) doit être maintenu entre l'extrémité du conduit de fumée et les filtres de la hotte de ventilation. Le conduit de fumée ne doit pas être raccordé directement au système de ventilation.

Les autorités locales peuvent exiger un système de ventilation pour évacuer la vapeur de cet appareil. Un dégagement doit être prévu pour que le couvercle puisse être soulevé sans interférence avec le capot. Un plafond trop bas peut ne pas permettre l'installation d'une hotte pour répondre à cette exigence.

### BRANCHEMENT AU CIRCUIT ELECTRIQUE — BRAISIÈRES AU GAZ (voir fig. 2)

**⚠ AVERTISSEMENT** Les appareils équipés d'un cordon d'alimentation électrique souple sont fournis avec une fiche bipolaire avec terre. Il est impératif que cette fiche soit branchée dans une prise électrique triphasée. Si la prise n'est pas le type de mise à la terre, contactez un électricien. N'enlevez pas la broche de mise à la terre de cette fiche.

Le branchement électrique pour la braisière est accessible depuis l'arrière ou le panneau gauche. La braisière à gaz est fournie avec un cordon d'alimentation de 120 V. procédez.

puis retirez le panneau. Si nécessaire, le panneau arrière peut également être retiré en suivant la même le haut, faites pivoter la partie inférieure du panneau jusqu'à ce qu'il se dégage de la bride inférieure, retirez, il suffit de tenir le panneau par le dessous et de le soulever. Tout en maintenant le panneau vers Pour accéder aux branchements de service d'utilité publique, retirez le panneau latéral gauche. Pour le

## BRANCHEMENTS D'ALIMENTATION

1. Placez la braisière dans sa position d'installation finale.
2. Placez un niveau de menuisier sur le dessus de la braisière et tournez les pieds de nivellement pour niveler le dessus de la braisière d'un côté à l'autre et de l'avant à l'arrière. N'essayez pas de niveler la base de la braisière.
3. Marquez les emplacements des trous sur le sol à travers les trous d'ancrage prévus dans les pieds de nivellement à bride à l'arrière.
4. Retirez la braisière basculante de l'emplacement d'installation et percez des trous aux endroits indiqués sur le sol. Insérez les dispositifs d'ancrage appropriés (non fournis).
5. Placez la braisière basculante dans l'emplacement d'installation.
6. Placez un niveau de menuisier sur le dessus de la braisière basculante, et nivelez d'un côté à l'autre et de l'avant à l'arrière.
7. Boulochez et ancrez la braisière basculante solidement au sol.
8. Scellez les boulons et les pieds à brides avec du mastic à la silicone ou un composé équivalent.

## MISE À NIVEAU ET ANCRAGE DE LA BRAISIÈRE BASCULANTE

1. Codes locaux.
2. Code d'installation du gaz naturel et du propane, CAN/CGA-B149.1 (dernière édition), disponible auprès de l'Association canadienne du gaz, 178 Rexdale Boulevard, Etobicoke, Ontario, Canada M9W 1R3.
3. Code canadien de l'électricité partie 1 CSA C22.1, (dernière édition) disponible auprès de l'Association canadienne de normalisation, 178 Rexdale Boulevard, Etobicoke, Ontario, Canada M9W 1R3.

## Au Canada :

1. Codes d'État et locaux, ou en l'absence de codes locaux :
2. National Fuel Gas Code ANSI-Z223.1 (dernière édition), disponible auprès de l'American Gas Association, Inc., 1515 Wilson Boulevard, Arlington, VA 22209.
3. National Electrical Code ANSI/NFPA-70 (dernière édition).
4. Norme n° 96 Vapor Removal from Cooking Equipment NFPA ANSI (dernière édition), disponible auprès de la National Fire Protection Association, Batterymarch Park, Quincy, MA 01169.

## États-Unis :

Votre braisière basculante Vulcan doit être installée conformément aux codes ci-après :

## CODES ET NORMES D'INSTALLATION

L'emplacement d'installation doit permettre un dégagement adéquat à des fins d'entretien et de bon fonctionnement. Les dégagements recommandés pour effectuer l'entretien sont de 24 po (61 cm) des côtés et de l'arrière et de 36 po (91 cm) de l'avant.

La braisière doit être installée de manière à ce que le flux d'air de combustion et de ventilation ne soit pas obstrué. Un dégagement suffisant pour les ouvertures d'air dans la chambre de combustion doit être fourni. Assurez-vous qu'il y a suffisamment d'air dans la pièce, adapté à la quantité de gaz de combustion qui alimente les brûleurs de la braisière.

Ne laissez pas les ventilateurs souffler directement sur la braisière. Évitez autant que possible les fenêtres ouvertes près de la braisière. Évitez les ventilateurs muraux qui créent des courants d'air dans la pièce.

### **Braisières à gaz équipées de roulettes (en option)**

Si vous choisissez d'installer les roulettes à la braisière, l'installation doit être effectuée au moyen de raccords ci-dessous :

1. Un raccord (non fourni par Vulcain) conforme à la norme américaine sur les *raccords pour les appareils à gaz mobiles*, ANSI Z21.69 (dernière édition) ou à la norme canadienne sur les *raccords pour les appareils à gaz mobiles, CAN/CGA-6.16* (dernière édition).

2. Un raccord à dégagement rapide conforme à la norme américaine sur les *raccords à dégagement rapide pour utilisation avec du gaz combustible*, ANSI Z21.41 ou à la norme canadienne sur les *raccords à dégagement rapide pour utilisation avec du gaz combustible*, CAN1-6.9 (dernière édition).

Des moyens adéquats doivent être prévus pour limiter le mouvement de l'appareil, sans dépendre du raccord et/ou de tout raccord à dégagement rapide ou de sa tuyauterie connexe afin de limiter le mouvement de la braisière. Fixez le dispositif de retenue à l'arrière de la braisière (fig. 1).

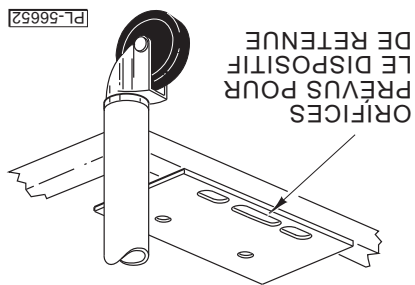


Fig. 1

Si la déconnexion du dispositif de retenue est nécessaire, fermez l'alimentation en gaz avant d'effectuer la déconnexion. Reconnectez ce dispositif de retenue avant d'allumer l'alimentation en gaz et avant de ramener la braisière dans sa position d'origine.

La braisière doit être dégagée de toute substance combustible. La braisière lorsqu'elle est installée doit avoir un dégagement d'au moins 2 po (5 cm) des côtés et 6 po (15 cm) de l'arrière par rapport aux matériaux combustibles. Le dégagement minimum par rapport aux matériaux combustibles est de 0 po des côtés et 6 po (15 cm) de l'arrière.

### **Pour les braisières à gaz seulement**

### **EMPLACEMENT**

Immédiatement après le déballeage, vérifiez s'il y a des dommages éventuels liés au transport. Si la braisière est endommagée, conservez le matériel d'emballage et communiquez avec le transporteur dans les 5 jours ouvrables qui suivent la livraison.

Cette braisière a été inspectée soigneusement avant de quitter l'usine. La société de transport assume l'entière responsabilité de la livraison en bon état puisqu'elle accepte d'effectuer cette expédition.

### **DÉBALLAGE**

Avant d'entamer l'installation, vérifiez que l'alimentation électrique et de gaz (naturel ou propane) est conforme aux spécifications de la plaque signalétique située à l'avant gauche du dessus de la braisière.

## **INSTALLATION**

Vulcan recommande de lire attentivement ce manuel dans son intégralité et de suivre soigneusement toutes les instructions fournies.

La braisière Vulcan est le résultat de haute qualité de fabrication et de matériaux de technologies de pointe. Une installation, une utilisation et un entretien appropriés se traduiront par plusieurs années de rendement satisfaisant. Les caractéristiques facultatives comprennent le lavage automatique et les roulettes.

La braisière basculante est un équipement polyvalent. Elle vous permet de faire mijoter, de poêler, de braiser, de griller ou de sauter, le tout avec une chaleur très uniforme. Les caractéristiques standard de tous les modèles comprennent le thermostat, la poignée de lavage manuel, le support de la lèchefrite de retrait et les quatre pieds à bride.

Les braisières basculantes Vulcan sont disponibles en deux formats. Les modèles VG30 et VE30 ont une capacité de 30 gallons (114 L) et les modèles VG40 et VE40 ont une capacité de 40 gallons (151 L).

## **GÉNÉRALITÉS**

**CONSERVEZ CES INSTRUCTIONS AUX FINS DE RÉFÉRENCES ULTÉRIEURES**

# **INSTALLATION, UTILISATION ET ENTRETIEN DES BRAISIÈRES BASCULANTES MODÈLES VG30, VG40, VE30 ET VE40**

# TABLE DES MATIÈRES

4	GÉNÉRALITÉS
4	INSTALLATION
4	Déballage
4	Emplacement
6	Codes et normes d'installation
6	Mise à niveau et ancrage de la braisière basculante
6	Branchements d'alimentation
7	Raccordements au gaz (voir fig. 2)
7	Test du système d'alimentation en gaz
7	VENTILATION
7	Branchement au circuit électrique — braisières au gaz (voir fig. 2)
8	Raccordements électriques (voir fig. 2)
9	Schema d'installation
10	FONCTIONNEMENT
10	Avant la première utilisation
10	Braisières à gaz
12	Braisières électriques
12	Utilisation du système de lavage
13	Déchargement des aliments préparés
14	Accessoires de vapeur (facultatifs)
14	UTILISATIONS SUGGÉRÉES POUR VOTRE BRAISIÈRE
15	NETTOYAGE
16	DIRECTIVES DE CUISSON (MESURES IMPÉRIALES)
19	DIRECTIVES DE CUISSON (MESURES MÉTRIQUES)
22	ENTRETIEN
22	Lubrification
22	Réglages
22	CONDUIT DE FUMÉE
22	Renseignements sur l'entretien et les pièces
23	DÉPANNAGE
23	Braisières à gaz
23	Braisières électriques

CONSERVEZ CE MANUEL AUX FINS DE RÉFÉRENCE ULTÉRIEURE  
 EN CAS DE PANNÉ D'ÉLECTRICITÉ, N'ESSAYEZ PAS DE FAIRE  
 FONCTIONNER CET APPAREIL.

**AVERTISSEMENT** UNE INSTALLATION, UN RÉGLAGE, UNE  
 ALTÉRATION, UN SERVICE OU UN ENTRETIEN INAPPROPRIÉ  
 PEUT PROVOQUER DES DOMMAGES, DES BLESSURES VOIRE LA  
 MORT. LISEZ ATTENTIVEMENT LES INSTRUCTIONS RELATIVES  
 À L'INSTALLATION, AU FONCTIONNEMENT ET À L'ENTRETIEN  
 AVANT D'INSTALLER OU D'ENTREtenir CET ÉQUIPEMENT.

N'ENTREPOSEZ PAS ET N'UTILISEZ PAS DE L'ESSENCE  
 NI D'AUTRES VAPEURS OU LIQUIDES INFLAMMABLES À  
 PROXIMITÉ DE CET APPAREIL OU DE TOUT AUTRE APPAREIL.

## IMPORTANT POUR VOTRE SÉCURITÉ

EN CAS OÙ UNE ODEUR DE GAZ EST DÉTECTÉE, COUPEZ  
 L'ALIMENTATION EN GAZ AUX APPAREILS DEPUIS LE ROBINET  
 D'ARRÊT PRINCIPAL ET CONTACTEZ LA SOCIÉTÉ GAZIÈRE  
 LOCALE OU LE FOURNISSEUR DE GAZ POUR RÉPARATION.

## IMPORTANT

CE MANUEL EST DESTINÉ À UN PERSONNEL QUALIFIÉ POUR INSTALLER CET ÉQUIPEMENT  
 À GAZ, QUI DOIT EFFECTUER LE DÉMARRAGE ET LES RÉGLAGES INITIAUX SUR LE  
 TERRAIN DE L'ÉQUIPEMENT DÉCRIT DANS LE PRÉSENT MANUEL.  
 AFFICHEZ, DANS UN ENDROIT BIEN EN VUE, LES INSTRUCTIONS À SUIVRE EN CAS  
 OÙ L'ODEUR DE GAZ EST DÉTECTÉE. CETTE INFORMATION PEUT ÊTRE OBTENUE  
 D'APRÈS LE FOURNISSEUR DE GAZ LOCAL.

## IMPORTANT POUR VOTRE SÉCURITÉ

# VULCAN

## MANUEL D'INSTALLATION ET D'UTILISATION

### BRAISIÈRES VG30, VG40, VE30 ET VE40

#### MODÈLES

VG30	ML-126847
VG40	ML-126848
VE30	ML-152047
VE40	ML-152048



Pour de plus amples renseignements sur Vulcan ou pour localiser un fournisseur agréé de pièces ou de services dans votre région, visitez notre site à l'adresse [www.vulcanequipment.com](http://www.vulcanequipment.com)