



# **INSTALLATION & OPERATION MANUAL MEDIUM DUTY GAS GRIDDLES**

## **MODELS**

VCRG24-T  
VCRG36-T  
VCRG48-T

WCRG24-T  
WCRG36-T  
WCRG48-T



**VCRG48-T**

For additional information on Vulcan or to locate an authorized parts and service provider in your area, visit our website at [www.vulcanequipment.com](http://www.vulcanequipment.com)

## **IMPORTANT FOR YOUR SAFETY**

THIS MANUAL HAS BEEN PREPARED FOR PERSONNEL QUALIFIED TO INSTALL GAS EQUIPMENT, WHO SHOULD PERFORM THE INITIAL FIELD START-UP AND ADJUSTMENTS OF THE EQUIPMENT COVERED BY THIS MANUAL.

POST IN A PROMINENT LOCATION THE INSTRUCTIONS TO BE FOLLOWED IN THE EVENT THE SMELL OF GAS IS DETECTED. THIS INFORMATION CAN BE OBTAINED FROM THE LOCAL GAS SUPPLIER.

### **IMPORTANT**

**IN THE EVENT A GAS ODOR IS DETECTED, SHUT DOWN UNITS AT MAIN SHUTOFF VALVE AND CONTACT THE LOCAL GAS COMPANY OR GAS SUPPLIER FOR SERVICE.**

### **FOR YOUR SAFETY**

**DO NOT STORE OR USE GASOLINE OR OTHER FLAMMABLE VAPORS OR LIQUIDS IN THE VICINITY OF THIS OR ANY OTHER APPLIANCE.**

### **WARNING**

**Improper installation, adjustment, alteration, service or maintenance can cause property damage, injury, or death. Read the installation, operating and maintenance instructions thoroughly before installing or servicing this equipment.**

**IN THE EVENT OF A POWER FAILURE, DO NOT ATTEMPT TO OPERATE THIS DEVICE.**

# INSTALLATION, OPERATION AND CARE OF MEDIUM DUTY GAS GRIDDLES

## GENERAL

Medium Duty Gas Griddles are produced with quality workmanship and materials. Proper installation, usage and maintenance of your griddle will result in many years of satisfactory performance.

Thoroughly read this entire manual and carefully follow all of the instructions provided.

Model	Number Of Burners	BTU/hr Input Rating
VCRG24-T / WCRG24-T	2	50,000
VCRG36-T / WCRG36-T	3	75,000
VCRG48-T / WCRG48-T	4	100,000

## INSTALLATION

### UNPACKING

This griddle was inspected before leaving the factory. The carrier assumes full responsibility for the safe delivery upon acceptance of the shipment. Check for possible shipping damage immediately after receipt.

If the griddle is found to be damaged, complete the following steps:

1. Carrier must be notified within 5 business days of receipt.
2. Carrier's local terminal must be notified immediately upon discovery (note time, date, and who was spoken to), and follow up and confirm with written or electronic communication.
3. All original packing materials must be kept for inspection purposes.
4. The griddle cannot have been moved, installed, or modified.
5. Notify Vulcan Customer Service immediately at 800-814-2028.

Carefully unpack your griddle and make sure that no parts are discarded with packaging material. A pressure regulator designed to operate with the griddle has been supplied and must be installed before the griddle is placed into service (Refer to GAS PRESSURE REGULATOR INSTALLATION in this manual).

### LOCATION

The installation location must be kept free and clear of combustibles. When installing, never enclose the bottom of the griddle with a raised curb or other constructions that would obstruct flow of air into or out of the griddle. Adequate clearance for air openings into the combustion chamber must be provided. Make sure there is an adequate supply of air in the room to replace air taken out by the ventilation system.

Do not permit air to blow directly at the griddle. Avoid open windows next to the griddle wherever possible. Avoid wall-type fans which create air cross-currents within the room.

This griddle is Design Certified for installation on a non-combustible counter with 4" legs, or combustible floor with 24" high stand.

**INSTALLATION CLEARANCES**

	COMBUSTIBLE CONSTRUCTION	NON-COMBUSTIBLE CONSTRUCTION
Back:	6"	0"
Sides:	6"	0"

**INSTALLATION CODES AND STANDARDS**

The griddle must be installed in accordance with:

In the United States of America:

1. State and local codes.
2. National Fuel Gas Code, ANSI-Z223.1/NFPA #54 (latest edition). This shall include but not be limited to: NFPA #54 Section 10.3.5.2 for Venting. Copies may be obtained from The American Gas Association Accredited Standards Committee Z223, @ 400 N. Capital St. NW, Washington, DC 20001 or the Secretary Standards Council, NFPA, 1 Batterymarch Park Quincy, MA 02169-7471

NOTE: In the Commonwealth of Massachusetts

All gas appliances vented through a ventilation hood or exhaust system equipped with a damper or with a power means of exhaust shall comply with 248 CMR.

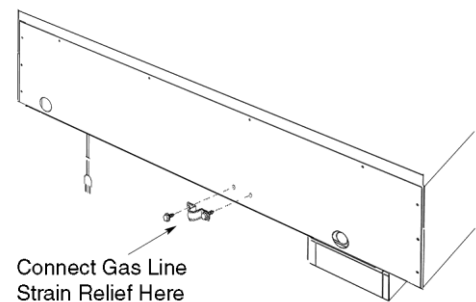
3. NFPA Standard # 96 *Vapor Removal from Cooking Equipment*, latest edition, available from the National Fire Protection Association, Batterymarch Park, Quincy, MA 02269.

In Canada:

1. Local codes.
2. CAN/CSA-B149.1 Natural Gas Installation (latest edition)
3. CAN/CSA-B149.2 Propane Installation Code (latest edition), available from the Canadian Gas Association, 178 Rexdale Blvd., Etobicoke, Ontario, Canada M9W 1R3

**GRIDDLES MOUNTED ON STANDS WITH CASTERS**

Griddles mounted on stands with casters must use a flexible connector (not supplied) that complies with the Standard for Connectors for Movable Gas Appliances ANSI Z21.69•CSA6.16, and a quick-disconnect device that complies with Gas Fuel, ANSI Z21.3•CSA6.9. In addition, adequate means must be provided to limit movement of the appliance without depending on the connector and the quick-disconnect device (or its associated piping) to limit appliance movement. Attach the restraining device at the rear of the griddle as shown in Fig. 1.



**Fig. 1**

If disconnection of the restraint is necessary, turn off the gas supply before disconnecting. Reconnect the restraint prior to turning the gas supply on and returning the griddle to its installation position.

Castors are only supplied on a griddle stand. If the griddle is moved for any reason the griddle should be re-leveled (see LEVELING in this manual).

## FLUE CONNECTIONS

Do not obstruct the flow of flue gases from the flue, located at the rear of the griddle. It is recommended that flue gases be ventilated to the outside of the building through a ventilation system installed by qualified personnel.

From the termination of the flue to the filters of the hood venting system, a minimum clearance of 18" must be maintained.

Information on the construction and installation of ventilating hoods may be obtained from the standard for "Vapor Removal from Cooking Equipment", NFPA No. 96 (latest edition), available from the National Fire Protection Association, Batterymarch Park, Quincy, MA 02269.

## GAS CONNECTIONS

**NOTICE** Gas supply connections and any pipe joint compound must be resistant to the action of propane gases.

Use a ¾" NPT gas supply line for the griddle inlet, located at the rear of the griddle. All of flexible and semi-rigid gas supply lines must comply with the applicable ANSI standard. To ensure maximum operating efficiency, this appliance must be connected with a gas supply line of solid pipe or a commercial type Flexible Connector with the net inside diameter (I.D.) as large as or larger than the gas pipe inlet on this appliance. Codes require that a gas shutoff valve must be installed in the gas line upstream of the griddle.

**▲ WARNING** Prior to lighting, check all joints in the gas supply line for leaks. Use soap and water solution. Do not use an open flame.

After checking for leaks all lines receiving gas should be fully purged to remove air.

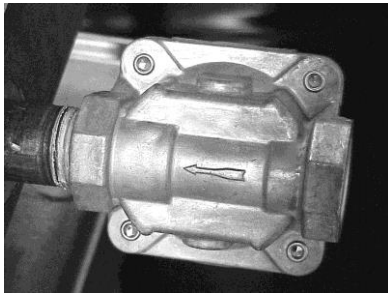
## TESTING THE GAS SUPPLY SYSTEM

When the gas supply pressure exceeds ½ psig (3.45 kPa), the griddle and its individual shutoff valve must be disconnected from the gas supply piping system.

When the gas supply pressure is ½ psig (3.45 kPa) or less, the griddle should be isolated from the gas supply system by closing its individual manual shutoff valve.

## GAS PRESSURE REGULATOR INSTALLATION

This griddle is supplied with a convertible gas pressure regulator preset at 4" Water Column (W.C.) for natural gas. No further adjustment should be required. Install the regulator as close to the griddle on the gas supply line as possible. Make sure that the arrow on the underside of the regulator is oriented in the direction of gas flow to the griddle (Fig. 2 on next page) and the regulator is positioned with the vent plug and conversion plug cover upright (Fig. 3 on next page).



**Fig. 2**



**Fig. 3**

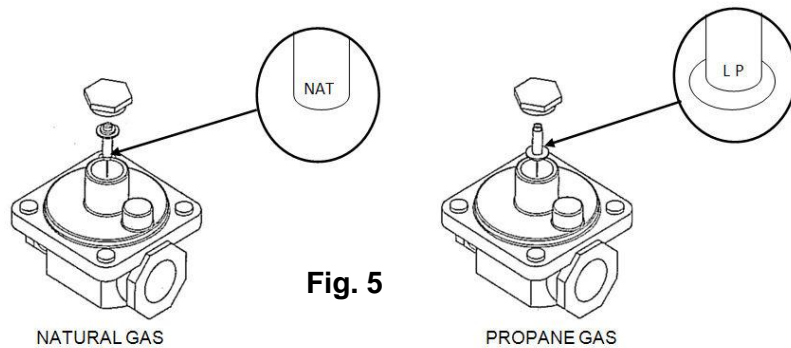
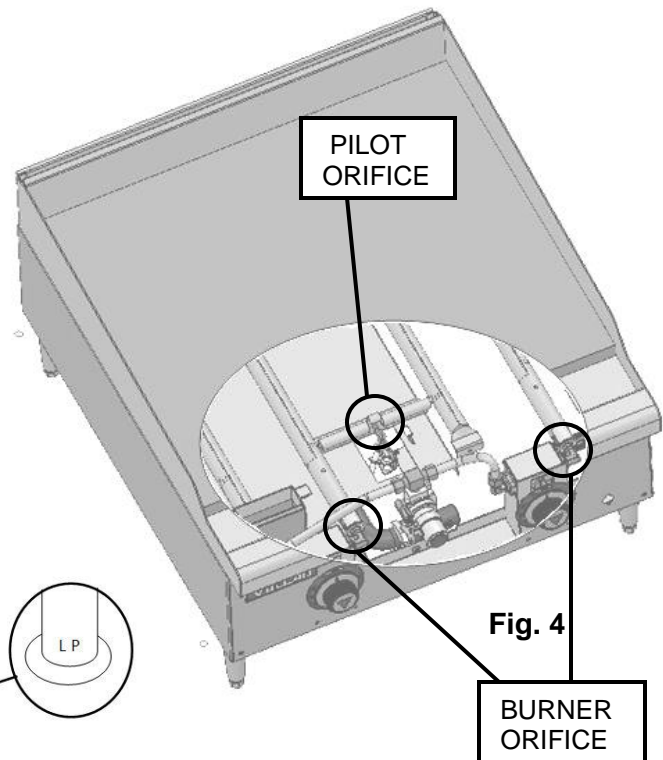
The supply pressure (upstream of the regulator) should be 7-9" W.C. for natural gas and 11-12" W.C. for propane gas. At no time should the griddle be connected to supply pressure greater than ½ psig (3.45 kPa) or 14" W.C.

### PROPANE GAS CONVERSION

This griddle is shipped from the factory equipped with fixed burner and pilot orifices for natural gas operation. The burner and pilot orifices required to convert the griddle to propane gas are shipped with the griddle in the shipping packaging. It is recommended that a trained gas service technician with the necessary tools, instruments and skills perform the conversion.

To convert to propane, following steps must be completed:

1. Remove all natural gas burner orifices and install the provided propane burner orifices. See Fig. 4
2. Remove all pilot orifices and install the provided propane pilot orifices. See Fig 4.
3. Set the regulator to 10" W.C. by inverting the regulator spring plug. See Fig 5.



**Fig. 5**

**⚠ WARNING** Prior to lighting, check all joints in the gas supply line for leaks. Use soap and water solution. Do not use an open flame.

# OPERATION

**⚠ WARNING** The griddle and its parts are hot. Use care when operating, cleaning or servicing the griddle.

## BEFORE FIRST USE

Remove all packing material and protective plastic from surfaces of the unit. Before leaving the factory, the griddle plate is coated with protective coating as a rust inhibitor. Remove this film when the griddle plate is being cleaned prior to its first cooking use. Heat the griddle to 200-300°F to loosen and melt the coating, then clean the surface with a non-corrosive, grease dissolving commercial cleaner, following the manufacturer's directions. Rinse thoroughly and wipe dry with a soft clean cloth. Clean all accessories.

## SEASONING THE GRIDDLE

Season the griddle to avoid possible surface corrosion before first use, and after every cleaning. Heat griddle to a low temperature (300-350°F) and apply a small amount of cooking oil – about one ounce per square foot of surface. Use a soft lint-free cloth to spread the oil over the entire griddle surface to create a thin film. Wipe off any excess oil with a cloth. Repeat the procedure until the griddle has a slick, mirror-like finish. This will also help reduce the sticking of cooked food product.

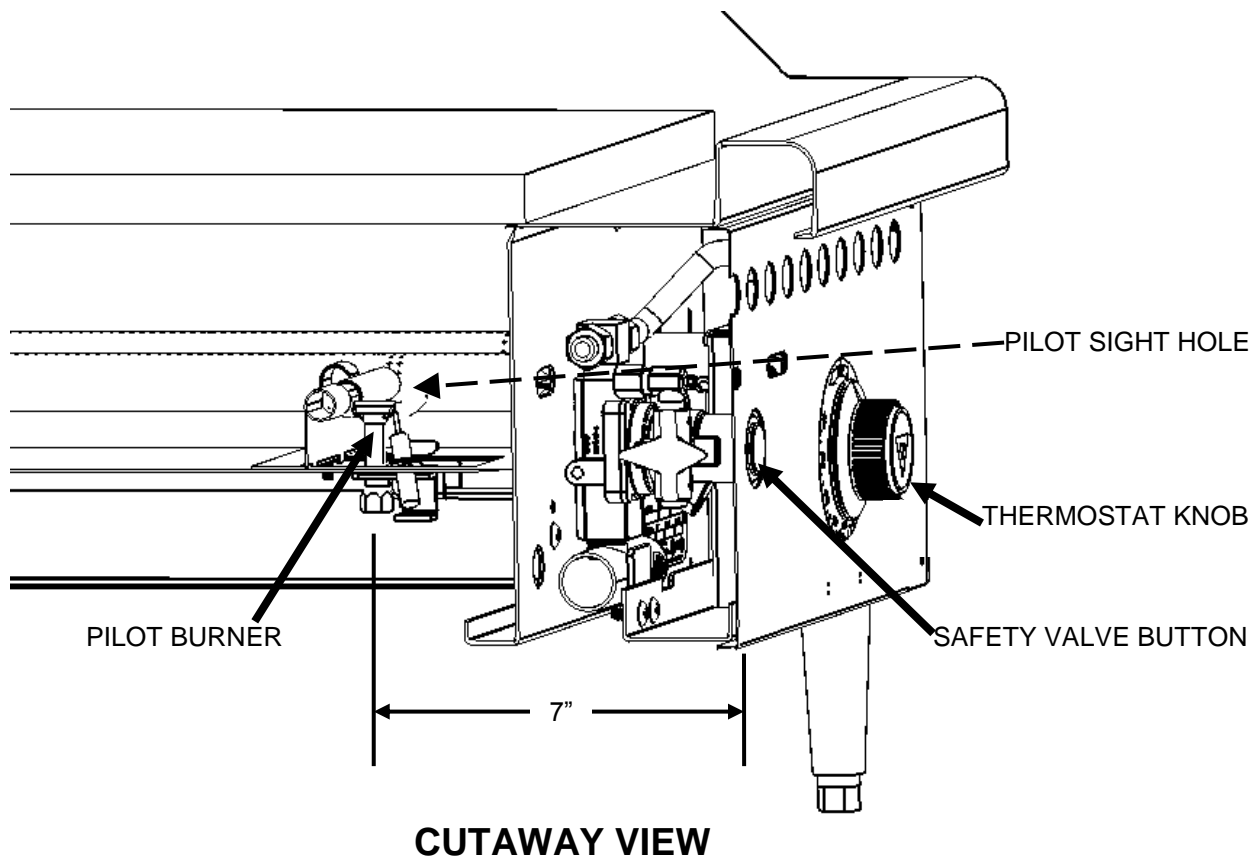
## CONTROLS

This model features a standing pilot that must be manually lit. The pilot is monitored by a thermocouple and pilot safety valve. If the pilot goes out, the safety valve will shut-off the gas supply to the pilot and main burners. There is one pilot and one safety valve for every two burners except on the 36" model. The 36" model has an odd number of main burners, therefore one of the sets of pilots and safety valves in these models will control only one main burner. The safety valve push buttons are aligned with pilot burners and the pilot sight holes are off centered  $\frac{3}{4}$ " to the right. The pilot burners are inset approximately 7" from the front panel. See cutaway view on page 8.

Each 12" section of the griddle is independently controlled by a mechanical snap-action thermostatic valve. The thermostats have an operating range of 200 to 450 degrees. Once pilots are lit, turning the thermostats to the desired setting is all that is required to put the unit into service.

## VCRG-T / WCRG-T PILOT LIGHTING PROCEDURE

1. Turn the main gas shut-off valve and all thermostats to the OFF position. Wait 5 minutes to allow any gas that may have accumulated in the burner compartment to escape.
2. Turn the main gas shut-off valve ON.
3. Depress and hold the safety valve button while lighting the corresponding pilot. You will have to reach under the front of the unit to light with an outside ignition source (such as a lit taper, etc.) while viewing thru the pilot sight hole.
4. When the gas at the pilot has been burning for about 45 seconds, release the safety valve button. If the pilot does not remain lit, repeat the operation allowing more time before releasing the button. The amount of time necessary to hold the safety valve button will increase at the initial installation of the unit and if the main gas supply has been turned off for a long period of time. It may be necessary to adjust the pilot valve to increase gas to the pilot. See Fig. 6 on page 12.
5. Repeat steps until all pilots are lit.
6. If after completing steps 1-5 pilot does not light, turn off the main gas shut-off valve and contact an authorized service contractor.





## USING THE GRIDDLE

To preheat, turn the burners on about 20-25 minutes before cooking.

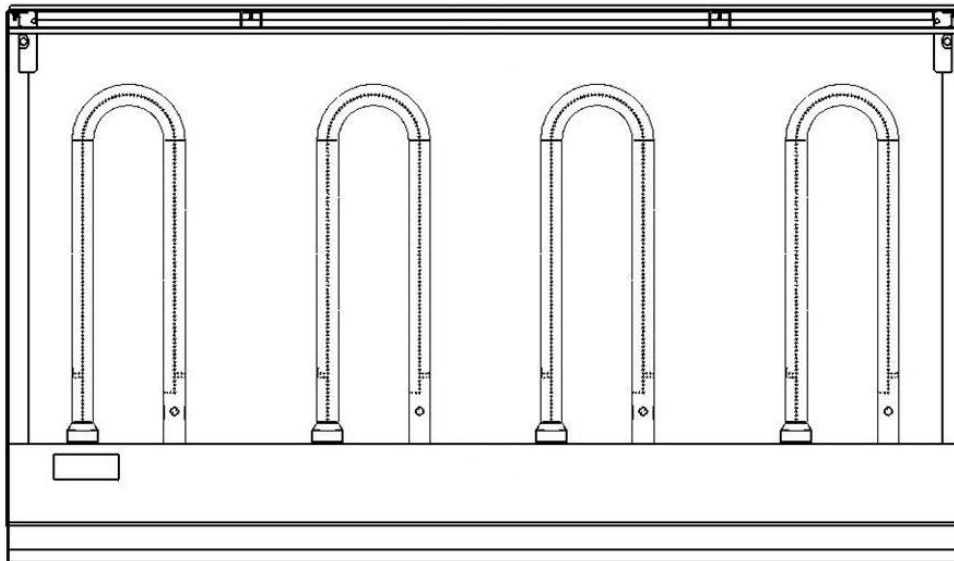
A uniform and systematic approach to loading the griddle will produce the most consistent product results.

The griddle plate is steel, but the surface can be scored or dented by careless use of a spatula or scraper. Be careful not to dent, scratch, or gouge the plate surface. Do not try to knock off loose food that may be on the spatula by tapping the corner or the edge of the spatula on the griddle surface.

## ZONE COOKING

This griddle features a tubular U-shaped burner in each 12” section, each controlled by independent thermostats. Each 12” section is a separate cooking zone, and allows cooking a wide variety of products over a single griddle plate. The chart below is a suggested usage of zone cooking.

When zone cooking, it is suggested that you start with your lowest temperature setting at either side of the griddle, increasing the zone temperature as you move up the zone line. These zone cooking guidelines will vary depending on product temperatures, size and shape. This guide should be adjusted to suit your product and operational cooking preference.



<b>ZONE 1 (300°F)</b>	<b>ZONE 2 (350°F)</b>	<b>ZONE 3 (350°F)</b>	<b>ZONE 4 (400°F)</b>
<b>PRODUCT</b> Sausage Eggs (Hard Fried) Eggs (Scrambled) Burger (Well Done) Steak (Well Done) Chicken Breast Frozen Foods Pork Chops	<b>PRODUCT</b> Pancakes French Toast Bacon Eggs (Sunny Side Up) Boiled Ham Steak (Medium Well) Fresh Burger (Medium Well) Small Frozen Burger (Medium Well)	<b>PRODUCT</b> Omelet Hash Browns Canadian Bacon	<b>PRODUCT</b> Steak (Rare) Stir Fry Vegetables Salmon Fish Cakes Lobster Scampi

## **CLEANING THE GRIDDLE**

Empty the grease drawer as needed throughout the day and regularly clean at least once daily.

Clean the griddle regularly. A clean griddle always looks better, lasts longer and performs better. To produce evenly cooked, perfectly browned griddle products keep the griddle plate clean and free of carbonized grease. Carbonized grease on the surface hinders the transfer of heat from the griddle surface to the food, resulting in spotty browning and loss of cooking efficiency. Carbonized grease tends to cling to griddle foods, giving them a highly unsatisfactory and unappetizing appearance.

To keep the griddle clean and operating at peak efficiency, follow these procedures:

### **AFTER EACH USE**

Clean the griddle with a wire brush or flexible spatula.

### **ONCE PER DAY**

Thoroughly clean the griddle back splash, sides and front. Remove, empty and wash the grease drawer in the same manner as an ordinary cooking utensil.

### **ONCE PER WEEK**

Clean the griddle surface thoroughly. Use a griddle stone, screen, or Scotch Bright™ pad on the surface as necessary. Rub with the grain of the metal while the griddle is still warm (not hot). A detergent may be used on the plate surface to help clean it, but be sure the detergent is thoroughly removed by flushing with clear water.

After removal of detergent the surface of the plate the griddle should be seasoned according to the instructions in this manual.

Clean stainless steel surfaces with a damp cloth and polish with a soft dry cloth. To remove discoloration, use a griddle cleaner.

If the griddle usage is very high, consider conducting this weekly cleaning procedure more than once per week.

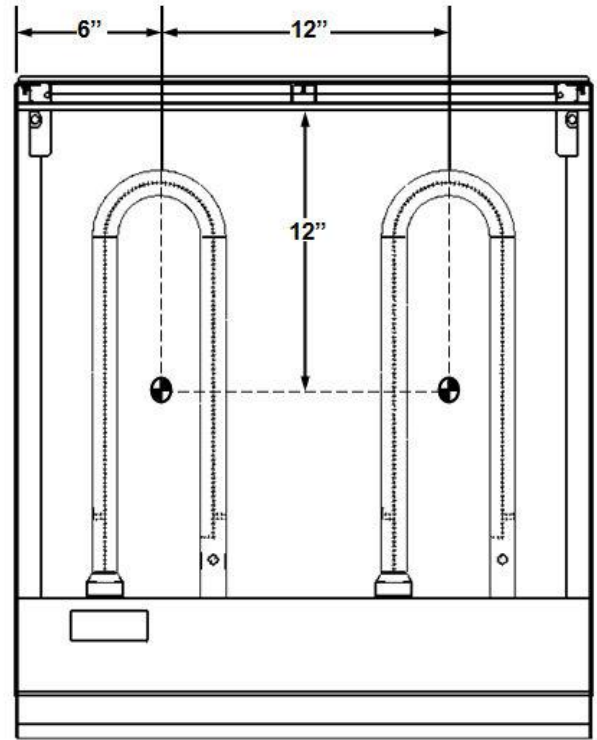
# ADJUSTMENTS

## CALIBRATION

1. Each thermostat controls a 12" zone of the griddle. Using a Surface Probe temperature measurement device, observe the temperatures at the center points of the cooking zones. These points are located by starting 6" from the side splash (left or right) and every 12" across the width of the griddle, with all points located 12" back from the front edge of the griddle plate.

NOTE: Use of infrared thermometers is not recommended. These devices are highly sensitive to surface color (clean or dirty), angle of reading and distance from the unit.

2. Set thermostats to 350°F and allow to stabilize, allowing the burner to cycle ON and OFF at least two times.
3. Watch for burner to cycle OFF, then measure the temperature for that zone. The temperature should be 350°F ±15°F. If not, continue to Step 4.



4.
  - a. Carefully loosen the knob set screw. DO NOT allow the knob to turn. Carefully remove the knob from the thermostat shaft, exposing the temperature dial.
  - b. Loosen screws on the temperature dial and adjust so that the temperature indicated by the knob arrow matches the griddle plate temperature reading. Knob will have to be placed back on the shaft to verify adjustment.

**IMPORTANT:** NEVER ADJUST THE SCREW IN THE CENTER OF THE THERMOSTAT SHAFT. This will ruin the factory calibration; the thermostat will no longer operate properly and may need to be replaced.

5. Once calibration is achieved, tighten the temperature dial screws and knob set screws.



**Step 4a.** Set knob & check Temperature.  
Remove knob



**Step 4b.** – Adjust temperature dial & verify temperature setting



**Step 5** –Replace knob & tighten screws

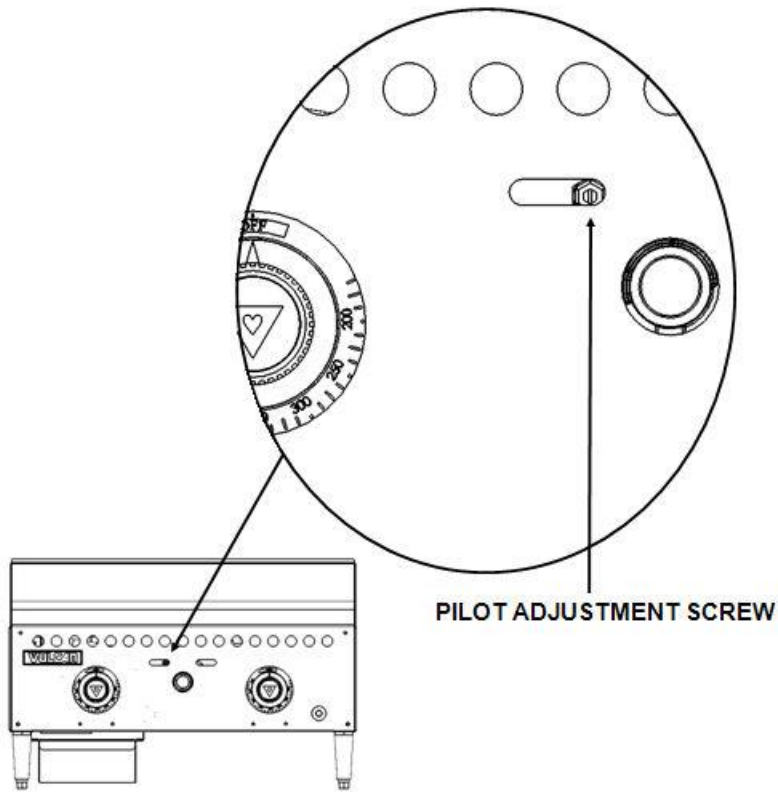
## LEVELING

The griddle must be level (side-to-side and front-to-back) during operation to ensure proper performance. Improper leveling can result in uneven temperature distribution, cold spots, and possibly damaged components.

1. Place a level on the griddle.
2. Adjust legs by turning the bullet feet at the bottom of each leg. Using pliers or a crescent wrench, turn the feet counter-clockwise to increase height, and clockwise to decrease height until leveling is achieved. Do not extend the legs more than 1- $\frac{3}{4}$ ".

## PILOT ADJUSTMENT

Using a flathead screwdriver, turn the slotted hex-head pilot adjustment screw clockwise to decrease the flame, and counterclockwise to increase the flame. See Fig. 6.



**Fig. 6**

## SHUTDOWN OF GRIDDLE

1. Turn thermostats to the OFF position to cut off burners.
2. The pilots will remain lit and monitored by the safety valve as long as the main gas supply is on.

## EXTENDED SHUTDOWN

1. Shut off the main gas supply valve.
2. Apply a heavy coat of vegetable oil over the griddle plate to inhibit rust.

# MAINTENANCE

**⚠ WARNING** The griddle and its parts are hot. Use care when operating, cleaning or servicing the griddle.

## LUBRICATION

There are no parts on this griddle that require lubrication.

## VENT

Daily, when the griddle is cool, check the flue and clear any obstructions.

## SERVICE AND PARTS INFORMATION

Contact the Service Contractor in your area to obtain service and parts information. For a complete listing of Service and Parts depots refer to or [www.vulcanequipment.com](http://www.vulcanequipment.com).

When calling for service, the following information should be available from the appliance identification plate: Model Number, Serial Number and Gas Type.

# TROUBLESHOOTING

PROBLEM	POSSIBLE CAUSES
Burner does not come on when the control knob is turned on	<ol style="list-style-type: none"> <li>1. Problem with gas valve. (Call for service)</li> <li>2. Pilot burner not lit. (Call for service)</li> <li>3. Low gas pressure. (Call for service)</li> </ol>
Pilot burner will not light	<ol style="list-style-type: none"> <li>1. Manual gas valve not turned on.</li> <li>2. Obstructed pilot orifice. (Call for service)</li> <li>3. Pilot gas turned off at pilot. Adjust pilot to allow gas flow.</li> <li>4. Low gas pressure. (Call for service)</li> </ol>
Pilot burner will not stay lit	<ol style="list-style-type: none"> <li>1. Obstructed or wrong size pilot orifice. (Call for service)</li> <li>2. Gas supply not purged of air. Depress pilot safety button until air is purged.</li> <li>3. Air blowing pilot out. (Call for service)</li> <li>4. Low gas pressure. (Call for service)</li> </ol>
Fat appears to smoke excessively	<ol style="list-style-type: none"> <li>1. Temperature set too high.</li> <li>2. Moisture in food may be turning into steam</li> </ol>
Food sticks to griddle or burned around edges or contains dark specs	<ol style="list-style-type: none"> <li>1. Temperature set too high.</li> <li>2. Griddle surface requires cleaning and/or seasoning.</li> <li>3. Surface under food not covered with enough cooking oil.</li> </ol>
Food under-cooked inside	<ol style="list-style-type: none"> <li>1. Temperature set too low.</li> <li>2. Food not cooked for long enough time.</li> </ol>
Food tastes greasy or has objectionable off-flavor	<ol style="list-style-type: none"> <li>1. Food itself may have off-flavor.</li> <li>2. Food stored improperly before cooking.</li> <li>3. Too much griddle fat used.</li> <li>4. Temperature set too low.</li> </ol>
Noticeable build-up of gum on griddle	<ol style="list-style-type: none"> <li>1. Temperature set too high.</li> <li>2. Griddle surface needs cleaning and/or seasoning.</li> <li>3. Too much griddle fat used.</li> </ol>

# DÉPANNAGE

CAUSES POSSIBLES	PROBLÈME
<ol style="list-style-type: none"> <li>1. C'est un problème avec la soupape à gaz (Contactez le service à la clientèle).</li> <li>2. La veilleuse du brûleur n'est pas allumée. (Contactez le service à la clientèle).</li> <li>3. La pression du gaz est basse. (Contactez le service à la clientèle).</li> </ol>	<p>Le brûleur ne s'ouvre pas lorsque le bouton de commande est ouvert</p>
<ol style="list-style-type: none"> <li>1. La soupape manuelle du gaz n'est pas ouverte.</li> <li>2. L'orifice de la veilleuse d'allumage est obstrué. (Contactez le service à la clientèle).</li> <li>3. La veilleuse du gaz est fermée. Réglez la veilleuse d'allumage pour permettre la circulation du gaz.</li> <li>4. La pression du gaz est basse. (Contactez le service à la clientèle).</li> </ol>	<p>La veilleuse n'est pas allumée</p>
<ol style="list-style-type: none"> <li>1. L'orifice de la veilleuse d'allumage est obstrué ou n'a pas la bonne dimension. (Contactez le service à la clientèle).</li> <li>2. L'alimentation en gaz n'a pas été vidée de son air. Appuyez sur le bouton de la soupape de sûreté jusqu'à ce que l'air soit évacué.</li> <li>3. Il y a de l'air qui sort de la veilleuse. (Contactez le service à la clientèle).</li> <li>4. La pression du gaz est basse. (Contactez le service à la clientèle).</li> </ol>	<p>La veilleuse d'allumage ne reste pas allumée</p>
<ol style="list-style-type: none"> <li>1. La température est trop haute.</li> <li>2. La humidité dans la nourriture peut se transformer en vapeur</li> </ol>	<p>Le gras semble causer de la fumée de façon excessive</p>
<ol style="list-style-type: none"> <li>1. La température est trop haute.</li> <li>2. La surface de la plaque nécessite un nettoyage ou un rodage.</li> <li>3. La surface sous la nourriture n'a pas été assez enduite d'huile végétale.</li> </ol>	<p>La nourriture colle sur la plaque ou brûle sur les bords ou a des taches foncées</p>
<ol style="list-style-type: none"> <li>1. La température est trop basse.</li> <li>2. La nourriture n'a pas été cuite assez longtemps.</li> </ol>	<p>La nourriture n'est pas assez cuite à l'intérieur</p>
<ol style="list-style-type: none"> <li>1. La nourriture elle-même a un goût altéré.</li> <li>2. La nourriture a été gardée dans de mauvaises conditions avant la cuisson.</li> <li>3. Il y a trop de gras utilisé sur la plaque</li> <li>4. La température est trop basse.</li> </ol>	<p>La nourriture goûte le gras ou a un goût altéré désagréable</p>
<ol style="list-style-type: none"> <li>1. La température est trop haute.</li> <li>2. La surface de la plaque a besoin d'un nettoyage ou d'un rodage.</li> <li>3. Il y a trop de gras utilisé sur la plaque</li> </ol>	<p>Accumulation visible de gomme sur la plaque</p>

Lorsque vous appelez pour du service, les renseignements suivants devraient être disponibles sur la plaque d'identification de l'appareil : le numéro du modèle, le numéro de série et le type de gaz.

**RENSEIGNEMENTS SUR L'ENTRETIEN ET LES PIÈCES**  
Contactez l'agence de service de votre région pour obtenir des renseignements sur l'entretien et les pièces. **Pour une liste des bureaux des services et des pièces, consultez [www.vulcanequipement.com](http://www.vulcanequipement.com).**

Quotidiennement, lorsque la plaque chauffante est refroidi, vérifiez le conduit et retirez toute obstruction.

## VENTILATION

Il n'y a aucune pièce sur cette plaque chauffante qui a besoin d'être lubrifiée.

## LUBRIFICATION

**AVERTISSEMENT** La plaque chauffante et ses pièces sont chaudes. Faites attention lorsque vous employez, nettoyez ou entretenez la plaque chauffante.

## ENTRETIEN

1. Fermez le robinet principal d'alimentation en gaz.
2. Mettez une généreuse couche d'huile végétale sur la plaque pour empêcher la rouille.

## FERMETURE PROLONGÉE

l'alimentation principale en gaz est ouverte

1. Fermez les thermostats pour éteindre les brûleurs.
- 2 Les veilles resteront allumées et contrôlées par la soupape de sûreté aussi longtemps que

## FERMETURE LA PLAQUE CHAUFFANTE



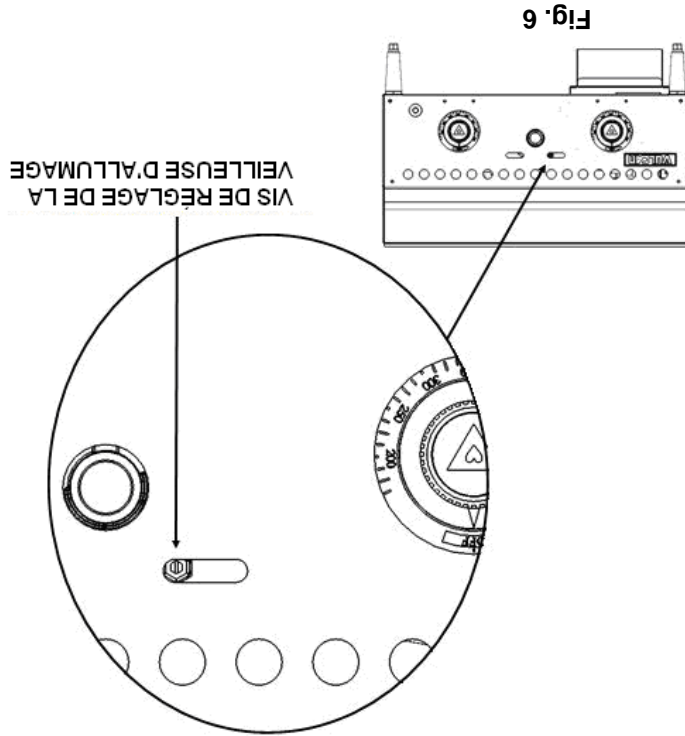
## MISE À NIVEAU

La plaque chauffante doit être mise à niveau (d'un côté à l'autre et du devant vers l'arrière) quand vous l'utilisez pour assurer une performance adéquate. Une mise à niveau inadéquate peut provoquer une répartition de la température inégale, des zones froides et possiblement des composants endommagés.

1. Placez un niveau sur la plaque chauffante.
2. Réglez les pattes en tournant les pieds en bas de chaque patte. À l'aide d'une pince-étau ou d'une clé à molette, tournez les pieds dans le sens contraire des aiguilles d'une montre pour augmenter la hauteur et dans le sens des aiguilles d'une montre pour diminuer la hauteur jusqu'à ce que la mise à niveau soit effectuée. Ne pas allonger les pattes plus de 4 cm.

## RÉGLAGE DE LA VEILLEUSE D'ALLUMAGE

À l'aide d'un tournevis à tête plate, tournez la vis à tête hexagonale fendue de réglage de la veilleuse d'allumage dans le sens des aiguilles d'une montre pour diminuer la flamme et dans le sens contraire des aiguilles d'une montre pour augmenter la flamme. Voir Fig. 6.



# RÉGLAGES

## CALIBRAGE

1. Chaque thermostat contrôle une zone de 30 cm de la plaque chauffante. À l'aide d'une sonde de surface permettant de mesurer la température, observez les températures aux points centrés de la zone de cuisson. Ces points sont situés en commençant à 15 cm à partir du côté contre les élaboussures (gauche ou droit) et à chaque 30 cm de la largeur de la plaque, avec tous les points situés à 30 cm à l'arrière de la partie antérieure de la plaque.

REMARQUE : L'utilisation de thermomètres à infrarouges n'est pas recommandée. Ces dispositifs sont très sensibles pour la couleur de la surface (propre ou sale), l'angle de lecture et la distance avec l'appareil.

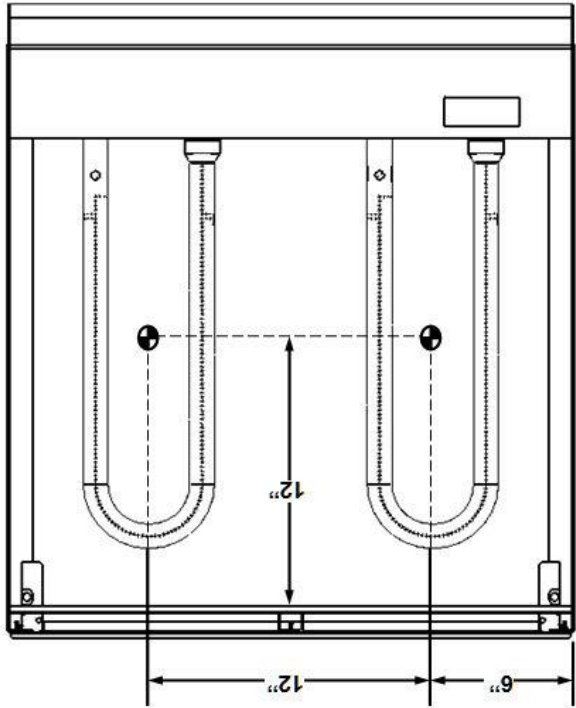
2. Réglez les thermostats à 350°F et laissez-les se stabiliser afin d'aider le brûleur à se fermer et à s'ouvrir au moins deux fois.

3. Assurez-vous que le brûleur se ferme, puis mesure la température de cette zone. The température devrait être de 350°F ±15°F. Si ce n'est pas le cas, continuez à l'étape 4.

4. a. Dévissez soigneusement la vis de réglage du bouton. NE PAS permettre au bouton de tourner. Retirez soigneusement le bouton de l'arbre du thermostat, exposant le cadran des températures.

b. Dévissez les vis du cadran des températures et réglez pour que la température indiquée par la flèche du bouton corresponde à la température de la plaque chauffante. Le bouton devra être replacé dans l'arbre pour vérifier le réglage.

5. IMPORTANT NE JAMAIS AJUSTER LA VIS AU CENTRE DE L'ARBRE DU THERMOSTAT. Cela endommagera le thermostat ne fonctionnera plus adéquatement et aura peut-être besoin d'être remplacé. Une fois le calibrage terminé, resserrer les vis du cadran des températures et du réglage du bouton.



**Étape 4a.** Réglez le bouton et vérifiez la température. Retirez le bouton

**Étape 4b.** – Réglez le cadran des températures et vérifiez le réglage de la température.

**Étape 5** – Remettez le bouton et resserrer les vis.



## **NETTOYAGE LA PLAQUE CHAUFFANTE**

Videz le tiroir à graisse au besoin tout au long de la journée et le nettoyez régulièrement au moins une fois par jour.

Nettoyez régulièrement la plaque chauffante Une plaque chauffante propre a toujours un meilleur aspect, dure plus longtemps et a une meilleure performance. Pour obtenir des aliments cuits de façon uniforme et parfaitement grillés, garder la plaque propre et sans gras carbonisé. Le gras carbonisé sur la surface empêche le transfert la chaleur de la plaque à la nourriture, provoquant du brunissement par endroits et de la perte d'efficacité de cuisson. Le gras carbonisé a tendance à adhérer aux aliments cuits sur plaque, leur donnant une apparence très insatisfaisante et peu appétissante.

Pour garder la plaque chauffante propre et l'utiliser à un rendement optimum, suivez ces procédures :

### **APRÈS CHAQUE UTILISATION**

Nettoyez la plaque chauffante avec une brosse métallique ou une spatule flexible.

### **UNE FOIS PAR JOUR**

Nettoyez à fond le dos antiéclaboussement, les côtés et le devant de la plaque chauffante. Retirez, videz et lavez le tiroir à graisse de la même façon qu'un ustensile de cuisine ordinaire.

### **UNE FOIS PAR SEMAINE**

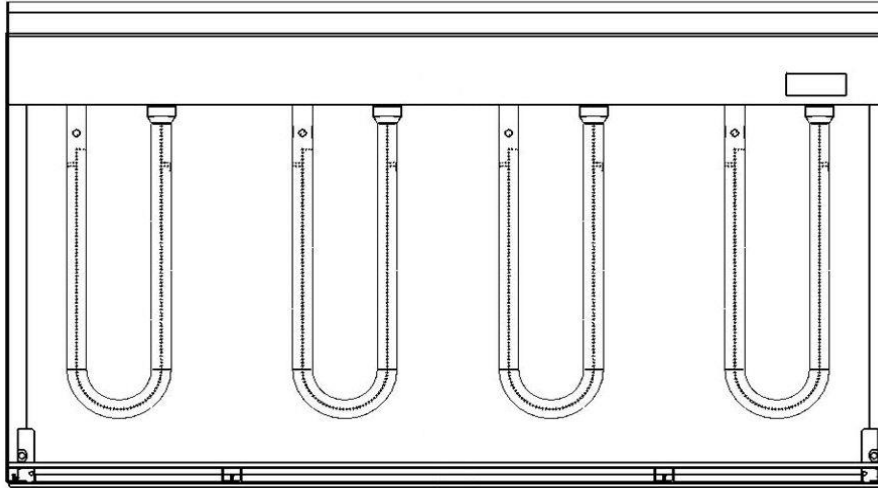
Nettoyez à fond la surface de la plaque chauffante. Utilisez une pierre pour plaque chauffante, une toile ou un tampon Scotch Bright sur la surface au besoin. Frottez avec le grain métallique pendant la plaque est encore tiède (pas chaude). Vous pouvez utiliser un détérisif sur la surface de la plaque pour vous aider à nettoyer, mais assurez-vous qu'il n'en reste plus en rinçant avec de l'eau claire.

Après avoir enlevé le détérisif, la surface de la plaque devrait être rodée selon les instructions de ce manuel.

Nettoyez la surface en acier inoxydable avec un linge humide et polissez avec un linge sec doux. Pour enlever la décoloration, utilisez un nettoyeur pour plaque chauffante.

Si vous utilisez très souvent la plaque chauffante, songez à effectuer cette procédure hebdomadaire de nettoyage plus d'une fois par semaine.

<b>ZONE 1</b> (300°F)	<b>PRODUIT</b> Saucisse Oeufs (poêlés) Oeufs (brouillés) Hamburger (bien cuit) Bacon Pain doré Crêpes Oeufs (au miroir) Bacon blanc Jambon blanc Poitrine de poulet Alliments congelés Côtelette de porc
<b>ZONE 2</b> (350°F)	<b>PRODUIT</b> Omelette Pommes de terre rissolées Bacon de dos
<b>ZONE 3</b> (350°F)	<b>PRODUIT</b> Langoustine Homard poisson Galletes de Saumon Légumes sautés (saignant) Bifteck
<b>ZONE 4</b> (400°F)	<b>PRODUIT</b>



## ZONES DE CUISSON

La plaque a un brûleur tubulaire en forme de U dans chaque section de 30 cm, chacun contrôlé par des thermostats indépendants. Chaque section de 30 cm est une zone de cuisson séparée et permet la cuisson d'un grand nombre de produits sur une seule plaque. Le graphique ci-dessous démontre un usage suggéré des zones de cuisson.

Lorsque vous utilisez les zones de cuisson, nous vous suggérons de commencer par celle qui a la plus basse température d'un côté ou l'autre de la plaque et d'augmenter la température des zones au fur et à mesure que vous déplacez tout au long de celles-ci. Ces directives pour les zones de cuisson varieront selon les températures, la taille et la forme du produit. Ce guide devrait être réglé selon votre préférence de produits et de fonctionnement lors de la cuisson.

La plaque est en acier, mais la surface peut être rayée ou bosselée par un mauvais usage d'une spatule ou d'un grattoir. Faites attention de ne pas bosseler, égratigner ou percer la surface de la plaque. Ne pas essayer de retirer la nourriture qui se retrouve sur la spatule en tapant sur le coin ou le bout de la spatule sur la surface de la plaque.

Un approche uniforme et méthodique pour remplir la plaque chauffante produira les résultats les plus constants.

Pour préchauffer, ouvrez les brûleurs environ 20 à 25 minutes avant la cuisson.

## UTILISATION LA PLAQUE CHAUFFANTE

## PROCÉDURE D'ALLUMAGE DE LA VEILLEUSE VCRG-T / WCRG-T

1. Fermez le robinet d'arrêt principal du gaz et tous les thermostats. Attendez 5 minutes pour permettre à tout gaz accumulé dans le compartiment des brûleurs de s'échapper.

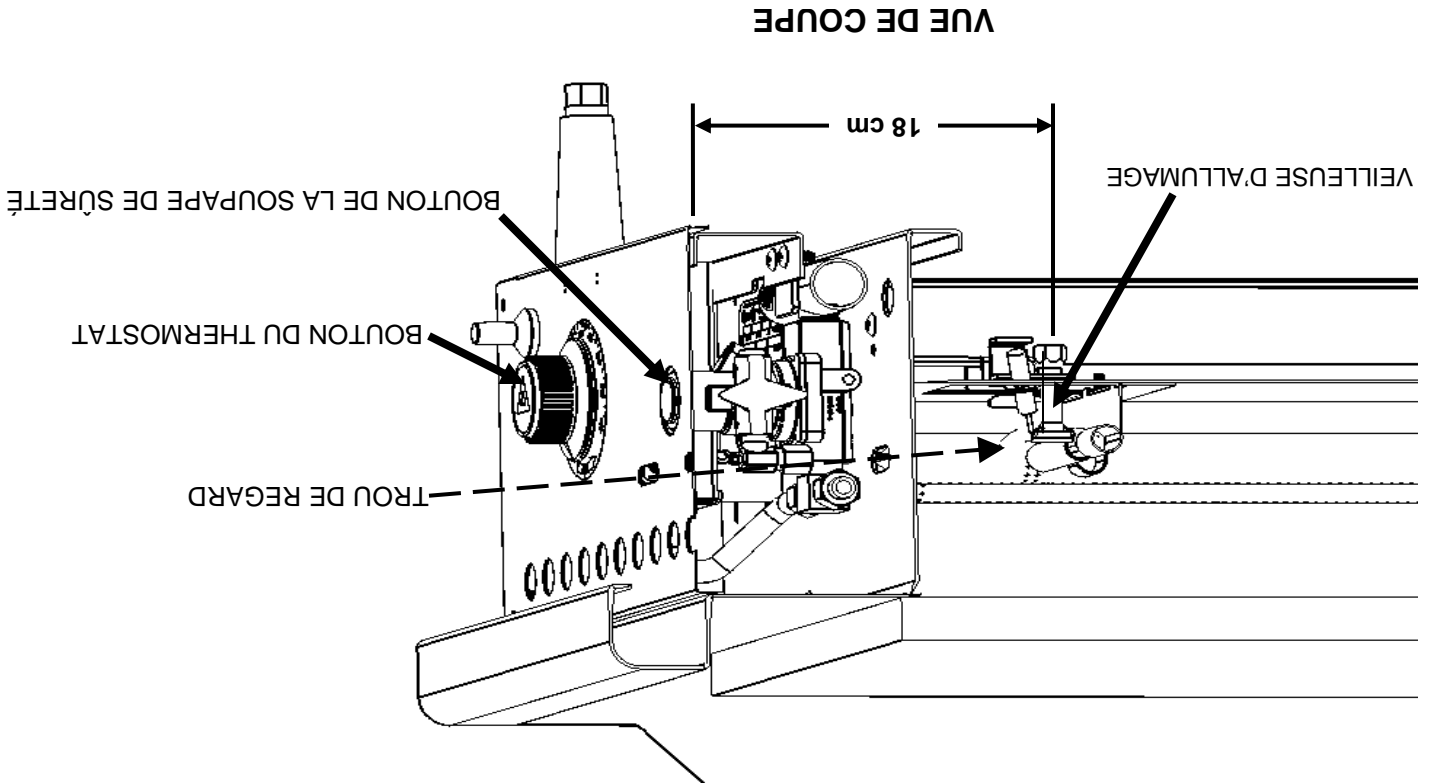
2. Ouvrez le robinet d'arrêt principal du gaz.

3. Appuyez et tenez le bouton de la soupape de sûreté pendant l'allumage de la veilleuse correspondante. Vous devriez atteindre le dessous à l'avant de l'appareil pour allumer avec une source d'inflammation extérieure (telle qu'une tige pour allumer les bougies, etc.) tout en surveillant par le trou de regard de la veilleuse.

4. Lorsque le gaz à la veilleuse brûle pendant environ 45 seconds, lâchez le bouton de la soupape de sûreté. Si la veilleuse ne reste pas allumée, répétez le processus en permettant plus de temps avant de lâcher le bouton. La quantité de temps nécessaire pour appuyer le bouton de la soupape de sûreté à l'installation initiale de l'appareil et si l'alimentation principale en gaz est fermée une longue quantité de temps. Il peut être nécessaire de régler la soupape de la veilleuse pour augmenter le gaz. Voir Fig. 6 à la page 12.

5. Répéter les étapes jusqu'à ce que toutes les veilleuses soient allumées.

6. Si après avoir complété les étapes 1-5 la veilleuse n'est pas allumée, fermez le robinet d'arrêt principal du gaz et contactez une agence de service autorisée.



Chaque section de 30 cm de la plaque chauffante est contrôlée indépendamment par une soupape thermostatique mécanique d'interrupteur à pression. Les thermostats ont une plage de fonctionnement acceptable de 200 à 450 degrés. Une fois les veilleuses allumées, vous n'avez qu'à régler les thermostats à la température désirée pour faire fonctionner l'appareil.

Ce modèle a une veilleuse permanente qui doit être allumée manuellement. La veilleuse est contrôlée par un thermocouple et par une soupape de sûreté. Si la veilleuse s'éteint, la soupape de sûreté fermera l'alimentation en gaz de la veilleuse des principaux brûleurs. Il y a une veilleuse d'allumage et une soupape de sûreté pour deux brûleurs excepté sur le modèle de 91 cm. Le modèle de 91 cm a un nombre inhabituel de brûleurs principaux; par conséquent, un des ensembles de veilleuses d'allumage et de soupape de sûreté de ces modèles contrôlera seulement un brûleur principal. Les boutons-poussoirs de la soupape de sûreté qui sont alignés avec les veilleuses d'allumage et leurs trous de regard sont décentrés à environ 2 cm vers la droite. Les veilleuses d'allumage sont situées à environ 18 cm du panneau avant. Voir la vue de coupe à la page 8.

## COMMANDES

Rodez la plaque chauffante pour éviter la possible corrosion de la surface avant la première utilisation et après le nettoyage. Chauffez la plaque à basse température (300-350°F) et mettez une petite quantité d'huile de cuisson – une once par pied carré de la surface. Utilisez un chiffon doux non pelucheux pour répartir l'huile sur la totalité de la surface de la plaque chauffante afin de produire une mince pellicule. Essayez tout excès d'huile avec un linge. Répétez la procédure jusqu'à ce que la plaque chauffante ait un fini lisse, lustré. Cela vous aidera aussi à réduire les aliments cuits qui collent.

## RODAGE DE LA PLAQUE CHAUFFANTE

Retirez tout le matériel d'emballage et la protection en plastique des surfaces de l'appareil. Avant de quitter l'usine, la plaque chauffante est couverte d'un enduit protecteur en tant qu'antirouille. Retirez cette pellicule lors du nettoyage de la plaque chauffante avant la première utilisation en cuisine. Chauffez la plaque à 200-300°F pour desserrer et faire fondre la couche, puis nettoyez la surface avec un nettoyant commercial dissolvant les graisses, selon les directives du fabricant. Rincez à fond et essuyez avec un linge doux propre. Nettoyez tous les accessoires.

## AVANT LA PREMIÈRE UTILISATION

La plaque chauffante et ses pièces sont chaudes. Faites attention lorsque vous employez, nettoyez ou entreenez la plaque chauffante.



# EMPLOI

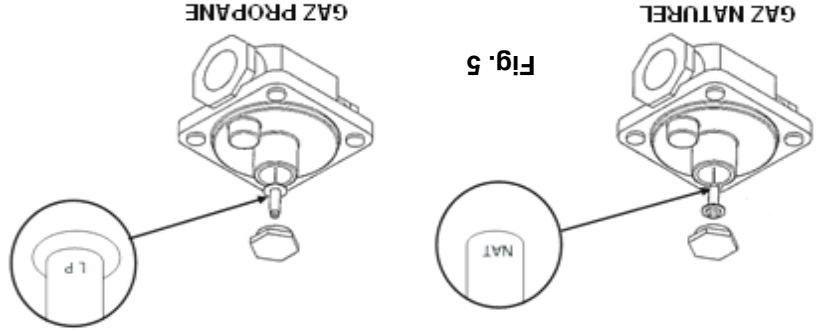
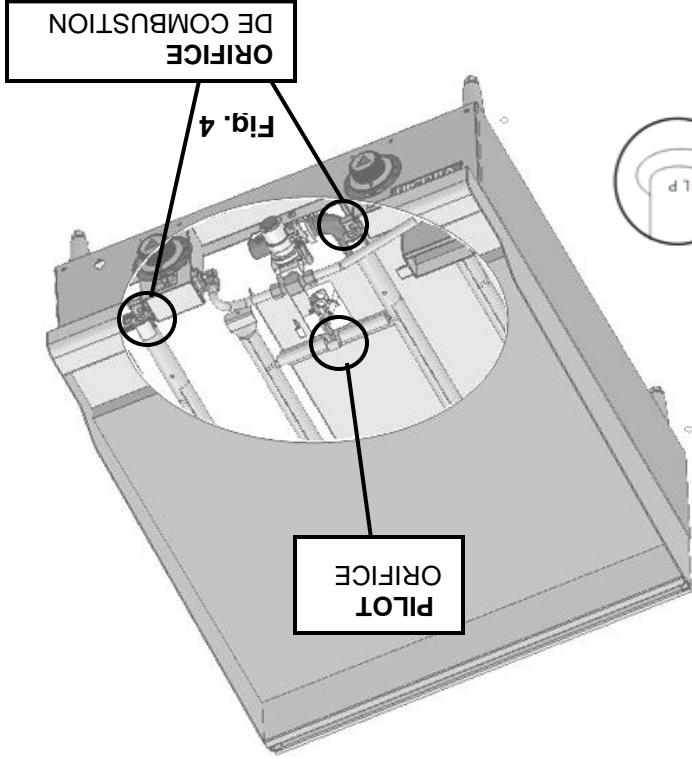
La pression d'alimentation (en amont du régulateur) devrait être de 18 à 23 cm CE pour le gaz naturel et de 28 à 30 cm CE pour le gaz propane. La plaque chauffante ne devrait à aucun moment être connectée à une pression d'alimentation supérieure à ½ psi (3,45 kPa) ou 36 cm CE.

### CONVERSION DU GAZ PROPANE

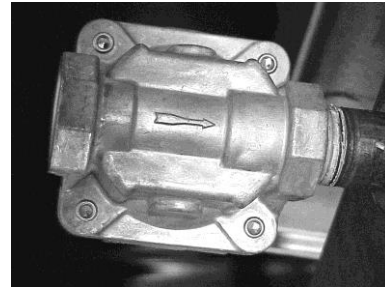
Cette plaque chauffante est livrée de l'usine munie d'orifices fixes de combustion et de veilleuse d'allumage pour l'emploi du gaz naturel. Les orifices de combustion et de veilleuse d'allumage pour convertir la plaque chauffante au gaz propane sont livrés avec celle-ci dans l'emballage. On recommande qu'un technicien qualifié du service de gaz avec les outils, les instruments et les compétences nécessaires effectue la conversion.

Pour convertir au propane, les étapes suivantes doivent être remplies :

1. Retirez tous les orifices de combustion pour le gaz naturel et installez les orifices de combustion pour le propane fournis. Voir Fig. 4.
2. Retirez tous les orifices de veilleuse pour le gaz naturel et installez les orifices de veilleuse pour le propane fournis. Voir Fig. 4.
3. Placez le régulateur à 25 cm CE en retournant le tampon de ressort du régulateur. Voir Fig. 5.



**AVERTISSEMENT** Avant l'allumage, vérifiez tous les joints dans la conduite d'alimentation en gaz pour les fuites. Utilisez une solution d'eau et savon. Ne pas utiliser une flamme nue.



## CONNEXIONS DES CONDUITS

Ne pas obstruer la circulation des gaz de combustion provenant des conduits, situés à l'arrière de la plaque chauffante. On recommande que les gaz de combustion soient aspirés à l'extérieur de l'édifice à l'aide d'un système de ventilation installé par du personnel compétent.

Un espace minimum de 46 cm doit être maintenu à partir de la fin du conduit aux filtres du système de hotte à évacuation.

Les renseignements sur la construction et l'installation des hottes à l'évacuation sont décrits dans la norme « Vapor Removal from Cooking Equipment », NFPA n° 96, dernière édition, disponible auprès de la National Fire Protection Association, Batterymarch Park, Quincy, MA 02269.

## CONNEXIONS DU GAZ

**AVIS**

Toutes les connexions et toute pâte à joints doivent résister à l'action du gaz propane.

Utilisez une conduite d'alimentation en gaz NPT de 2 cm pour l'entrée de la plaque chauffante, située à l'arrière de la plaque. Toutes les conduites d'alimentation en gaz flexibles et semi-rigides doivent être conformes à la norme ANSI applicable. Pour assurer l'efficacité maximum du fonctionnement, cet appareil doit être connecté à une conduite d'alimentation en gaz d'un tuyau non perforé ou un raccord flexible de type commercial ayant un diamètre intérieur (DI) net aussi large ou plus large que l'entrée du tuyau de gaz sur cet appareil. Les codes exigent qu'un robinet d'arrêt du gaz soit installé dans la conduite de gaz en amont de la plaque chauffante.

**AVERTISSEMENT**

Avant l'allumage, vérifiez tous les joints dans la conduite d'alimentation en gaz pour les fuites. Utilisez une solution d'eau et savon. Ne pas utiliser une flamme nue.

Après avoir vérifié s'il y a des fuites, toutes les conduites recevant du gaz devraient être entièrement vidées pour enlever l'air.

## EVALUATION DU SYSTÈME D'ALIMENTATION EN GAZ

Lorsque la pression de l'alimentation en gaz excède ½ psi (3,45 kPa), la plaque chauffante et son robinet d'arrêt individuel doivent être débranchés du système de tuyauterie d'alimentation en gaz.

Lorsque la pression de l'alimentation en gaz est de ½ psi (3,45 kPa) ou moins, la plaque chauffante devrait être isolée du système d'alimentation en gaz en fermant son robinet d'arrêt manuel individuel.

## INSTALLATION DU RÉGULATEUR DE PRESSION DU GAZ

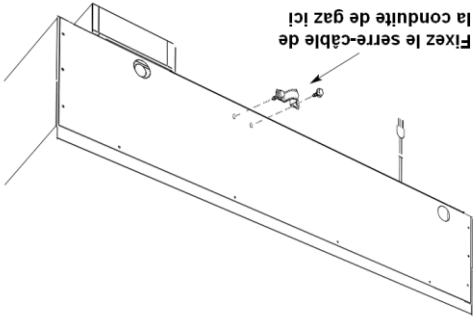
Cette plaque chauffante est offerte avec un régulateur de pression du gaz convertible pré réglé à 10 cm de colonne d'eau (CE) pour le gaz naturel. Aucun réglage supplémentaire ne devrait être nécessaire. Installez le régulateur aussi près que possible de la plaque chauffante sur la conduite d'alimentation en gaz. Assurez-vous que la flèche au-dessous du régulateur est orientée dans la direction de la circulation du gaz à la plaque chauffante (Fig. 2 à la page suivante) et que le régulateur est placé avec le bouchon d'aération ainsi que le couvercle de la prise de conversion à droite (Fig. 3 à la page suivante).



Les plaques chauffantes sur supports avec roulettes doivent employer un raccord flexible (non fourni) qui est conforme à la norme Connectors for Movable Gas Appliances, ANSI Z21.69 • CSA 6.16 et un dispositif de prise à démontage rapide qui est conforme à la norme Gas Fuel, ANSI Z21.3 • CSA 6.9. De plus, des mesures appropriées doivent être apportées pour limiter le mouvement l'appareil sans dépendre du connecteur et du dispositif de prise à démontage rapide ou de leurs conduites associées. Attachez le dispositif de retenue à l'arrière de la plaque chauffante tel qu'illustré dans la Fig. 1.

Si le débranchement du dispositif est nécessaire, fermez l'alimentation en gaz avant de débrancher. Rebranchez le dispositif avant d'ouvrir l'alimentation en gaz et remplacez la plaque chauffante à l'endroit où elle doit être installée.

Fig. 1



### PLAQUES CHAUFFANTES MONTÉES SUR SUPPORTS AVEC ROULETTES

1. Codes locaux.
2. Code d'installation du gaz naturel CAN/CSA-B149.1 (dernière édition)
3. Code d'installation du propane CAN/CSA-B149.2 (dernière édition), disponible auprès de l'Association Canadienne du Gaz, 178 boul. Rexdale, Etobicoke, Ontario, Canada M9W 1R3

Au Canada :

3. La norme NFPA n° 96 *Vapor Removal from Cooking Equipment*, dernière édition, disponible auprès de la National Fire Protection Association, Batterymarch Park, Quincy, MA 02269.
- Tous les appareils d'utilisation du gaz aérés grâce à une hotte de ventilation ou un système d'échappement muni d'une clef de réglage ou avec une moyenne potentielle d'échappement qui doit être conforme à 248 CMR.

REMARQUE : Dans l'État du Massachusetts

1. Codes locaux et d'état.
2. National Fuel Gas Code, ANSI-Z223.1/NFPA N°54 (dernière édition). Cela doit comprendre sans être limité à : NFPA N°54 Section 10.3.5.2 pour la ventilation. Vous pouvez obtenir des copies auprès de l'American Gas Association Accredited Standards Committee Z223, à 400 N. Capital St. NW, Washington, DC 20001 ou le Secretary Standards Council, NFPA, 1 Batterymarch Park Quincy, MA 02169-7471

Aux États-Unis d'Amérique :

La plaque chauffante doit être installée conformément à :

### CODES ET NORMES D'INSTALLATION

Derrière :	15 cm	0 cm
Côtés :	15 cm	0 cm
CONSTRUCTION COMBUSTIBLE		
CONSTRUCTION INCOMBUSTIBLE		

### ESPACES À PRÉVOIR DURANT L'INSTALLATION

Cette plaque chauffante est une conception homologuée pour l'installation sur un comptoir non combustible avec pattes de 10 cm ou sur un plancher combustible avec supports élevés de 61 cm.

# INSTALLATION, EMPLOI ET ENTRETIEN DES PLAQUE CHAUFFANTE AU GAZ À FONCTION MOYENNE GENERAL

Les plaques chauffantes à fonction moyenne sont produites avec une qualité de l'exécution et des matériaux. L'installation, l'utilisation et l'entretien adéquats de votre plaque chauffante vous apporteront de nombreuses années de performance satisfaisante.

Lisez entièrement ce manuel et suivez attentivement toutes les instructions données.

Modèle	Nombre de brûleurs	Débit calorifique BTU/h
VCRG24-T / WCRG24-T	2	50 000
VCRG36-T / WCRG36-T	3	75 000
VCRG48-T / WCRG48-T	4	100 000

## INSTALLATION

### DÉBALLAGE

Ce gril a été inspecté avant de quitter l'usine. En acceptant sa livraison, le transporteur prend l'entière responsabilité de le livrer en toute sécurité. Immédiatement après la livraison, vérifiez s'il a effectivement subi des dommages pendant le transport.

S'il s'avère que le gril a été endommagé, veuillez suivre les procédures suivantes :

1. Le transporteur doit être averti dans les 5 jours ouvrables suivant la réception.
2. Les gens du terminus local du transporteur doivent être avisés immédiatement lors de la découverte des dommages (indiquez l'heure, la date et à qui vous avez parlé) et assurez le suivi en confirmant les faits par écrit ou par communication électronique.
3. Pour fins d'inspection, tout le matériel d'emballage original doit être conservé.
4. Le gril ne doit pas avoir été déplacé, installé ou modifié.
5. Avisez le Service à la clientèle de Vulcan immédiatement en faisant le (800) 814-2028.

Déballer soigneusement votre plaque chauffante et assurez-vous qu'aucune partie n'a été jetée avec l'emballage. Un régulateur de pression conçu pour fonctionner avec la plaque chauffante a été fourni et doit être installé avant que la plaque chauffante soit mise en service (Consultez l'INSTALLATION DU RÉGULATEUR DE PRESSION DU GAZ dans ce manuel).

### EMPLACEMENT

Le lieu d'installation doit être maintenu sans présence de combustibles. Lors de l'installation, ne jamais entourer le bas de la plaque chauffante avec une bordure en relief ou autres constructions qui pourraient obstruer la circulation de l'air à l'intérieur ou à l'extérieur de la plaque chauffante. On doit donner suffisamment d'espace pour les ouvertures d'air de la chambre de combustion. Assurez-vous qu'il y ait suffisamment d'alimentation en air dans la pièce afin de remplacer l'air sorti par le système de ventilation.

Empêchez l'air de circuler directement sur la plaque chauffante. Évitez d'ouvrir des fenêtres près de la plaque chauffante là où c'est possible. Évitez les ventilateurs de type mural qui créent des courants d'air en biais à travers la pièce.

EN CAS DE PANNE DE COURANT, NE PAS  
TENTER DE FAIRE FONCTIONNER CET APPAREIL.

**▲ AVERTISSEMENT**

Une installation, un ajustement, une modification, un service ou un entretien inapproprié peut causer du dommage matériel, une blessure ou la mort. Lire minutieusement les instructions d'installation, d'emploi et d'entretien avant d'installer ou d'entretenir cet équipement.

**POUR VOTRE SÉCURITÉ**

NE PAS ENTREPOSER OU UTILISER DE L'ESSENCE OU AUTRES VAPEURS OU LIQUIDES INFLAMMABLES À PROXIMITÉ DE CET APPAREIL OU TOUT AUTRE APPAREIL.

**IMPORTANT**

AU CAS OÙ UNE ODEUR DE GAZ SERAIT DÉTECTÉE, FERMEZ LES UNITÉS DU ROBINET D'ARRÊT PRINCIPAL ET CONTACTEZ VOTRE COMPAGNIE DE GAZ OU VOTRE FOURNISSEUR DE GAZ LOCAL AFIN D'OBTENIR DU SERVICE.

CÉ MANUEL A ÉTÉ CONÇU POUR LE PERSONNEL APTE À INSTALLER UN ÉQUIPEMENT AU GAZ, QUI DOIT EFFECTUER LA MISE EN MARCHE ET LES RÉGLAGES INITIAUX DE L'ÉQUIPEMENT DONT IL S'AGIT DANS CE MANUEL. PLACEZ DANS UN ENDROIT IMPORTANT LES INSTRUCTIONS QUI DOIVENT ÊTRE SUIVIES AU CAS OÙ UNE ODEUR DE GAZ SERAIT DÉTECTÉE. VOUS POUVEZ DEMANDER CES RENSEIGNEMENTS AU FOURNISSEUR DE GAZ LOCAL.

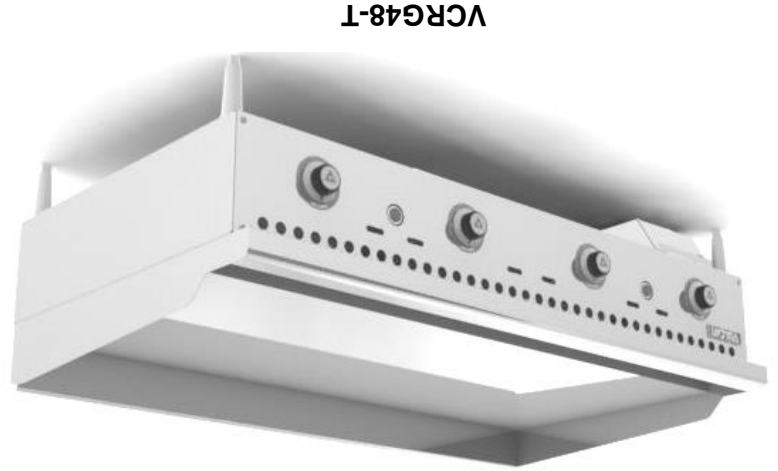
**IMPORTANT POUR VOTRE SÉCURITÉ**

**MANUEL D'INSTALLATION ET D'EMPLOI  
PLAQUE CHAUFFANTE AU GAZ À  
FONCTION MOYENNE**

**MODELS**

WCRG24-T  
WCRG36-T  
WCRG48-T

WCRG24-T  
WCRG36-T  
WCRG48-T



Pour obtenir des renseignements supplémentaires au sujet de Vulcan-Hart ou pour trouver un fournisseur de pièces et service autorisé dans votre région, veuillez visiter notre site web à [www.vulcanequipment.com](http://www.vulcanequipment.com)

GARDER CE MANUAL POUR UNE UTILISATION FUTURE  
FORMULAIRE F-38305 (rev. 9-15)

©ITW Food Equipment Group, LLC  
3600 North Point Blvd.  
Baltimore, MD 21222

**WOLF** 

**VULCAN**