



INSTALLATION & OPERATION MANUAL HEAVY DUTY GAS GRIDDLES



948RX

MODELS

924RX
936RX
948RX
960RX
972RX



MSA48

MSA24	ASA24
MSA36	ASA36
MSA48	ASA48
MSA60	ASA60
MSA72	ASA72



AGM48

AGM24
AGM36
AGM48
AGM60
AGM72

For additional information on Vulcan or to locate an authorized parts and service provider in your area, visit our website at www.vulcanequipment.com

IMPORTANT FOR YOUR SAFETY

THIS MANUAL HAS BEEN PREPARED FOR PERSONNEL QUALIFIED TO INSTALL GAS EQUIPMENT, WHO SHOULD PERFORM THE INITIAL FIELD START-UP AND ADJUSTMENTS OF THE EQUIPMENT COVERED BY THIS MANUAL.

POST IN A PROMINENT LOCATION THE INSTRUCTIONS TO BE FOLLOWED IN THE EVENT THE SMELL OF GAS IS DETECTED. THIS INFORMATION CAN BE OBTAINED FROM THE LOCAL GAS SUPPLIER.

IMPORTANT

IN THE EVENT A GAS ODOR IS DETECTED, SHUT DOWN UNITS AT MAIN SHUTOFF VALVE AND CONTACT THE LOCAL GAS COMPANY OR GAS SUPPLIER FOR SERVICE.

FOR YOUR SAFETY

DO NOT STORE OR USE GASOLINE OR OTHER FLAMMABLE VAPORS OR LIQUIDS IN THE VICINITY OF THIS OR ANY OTHER APPLIANCE.

WARNING

Improper installation, adjustment, alteration, service or maintenance can cause property damage, injury, or death. Read the installation, operating and maintenance instructions thoroughly before installing or servicing this equipment.

IN THE EVENT OF A POWER FAILURE, DO NOT ATTEMPT TO OPERATE THIS DEVICE.

TABLE OF CONTENTS

GENERAL.....	4
Specifications.....	4
INSTALLATION.....	4
Unpacking.....	4
Location.....	4
Installation Codes and Standards.....	5
Griddle Mounted On Stands with Casters.....	6
Flue Connections.....	6
Stands.....	6
Gas Connections.....	6
Testing the Gas Supply System.....	6
Gas Pressure Regulator Installation.....	7
Electrical Connection – 900RX Models.....	7
OPERATION.....	8
Before First Use.....	8
Seasoning the Griddle.....	8
Controls – 900RX Models.....	8
Controls – MSA and ASA Models.....	10
Controls – AGM Models.....	11
Pilot Lighting Procedure – 900RX Models.....	12
Pilot Lighting Procedure – MSA and ASA Models.....	13
Pilot Lighting Procedure – AGM Models.....	14
Using the Griddle.....	15
Cleaning the Griddle.....	16
ADJUSTMENTS.....	18
Calibration – 900RX and MSA Models.....	18
Leveling.....	19
Pilot Adjustment.....	19
SHUTDOWN OF GRIDDLE WITH ELECTRIC IGNITION SYSTEM – 900RX MODELS.....	20
SHUTDOWN OF GRIDDLE – MSA AND ASA MODELS.....	20
SHUTDOWN OF GRIDDLE WITH STANDING PILOT SYSTEM – AGM MODELS.....	20
EXTENDED SHUTDOWN.....	20
MAINTENANCE.....	21
Lubrication.....	21
Vent.....	21
Service and Parts Information.....	21
TROUBLESHOOTING.....	22
ACCESSORY INSTALLATION.....	23

INSTALLATION, OPERATION AND CARE OF HEAVY DUTY GAS GRIDDLES

GENERAL

Heavy Duty Gas Griddles are produced with quality workmanship and materials. Proper installation, usage and maintenance of your griddle will result in many years of satisfactory performance.

Thoroughly read this entire manual and carefully follow all of the instructions provided

Model	Number of Burners	BTU/hr Input Rating
924RX/MSA24/ASA24/AGM24	2	54,000
936RX/MSA36/ASA36/AGM36	3	81,000
948RX/MSA48/ASA48/AGM48	4	108,000
960RX/MSA60/ASA60/AGM60	5	135,000
972RX/MSA72/ASA72/AGM72	6	162,000

INSTALLATION

Before installing, verify that the type of gas supply (natural gas or propane) agrees with the specifications on the rating plate located on the outside right of the unit. If the supply and equipment requirements do not agree, do not proceed with the installation. Contact your dealer immediately. It is recommended that a trained gas service technician with the necessary tools, instruments and skills perform the installation of the griddle.

UNPACKING

This griddle was inspected before leaving the factory. The carrier assumes full responsibility for the safe delivery upon acceptance of the shipment. Check for possible shipping damage immediately after receipt.

If the griddle is found to be damaged, complete the following steps:

1. Carrier must be notified within 5 business days of receipt.
2. Carrier's local terminal must be notified immediately upon discovery (note time, date, and who was spoken to), and follow up and confirm with written or electronic communication.
3. All original packing materials must be kept for inspection purposes.
4. The griddle cannot have been moved, installed, or modified.
5. Notify Vulcan Customer Service immediately at 800-814-2028.

Carefully unpack your griddle and make sure that no parts are discarded with packaging material. A pressure regulator designed to operate with the griddle has been supplied and must be installed before the griddle is placed into service (Refer to GAS PRESSURE REGULATOR INSTALLATION in this manual).

LOCATION

The installation location must be kept free and clear of combustibles. When installing, never enclose the bottom of the griddle with a raised curb or other constructions that would obstruct flow of air into or out of the griddle. Adequate clearance for air openings into the combustion chamber must be provided. Make sure there is an adequate supply of air in the room to replace air taken out by the ventilation system.

Do not permit air to blow directly at the griddle. Avoid open windows next to the griddle wherever possible. Avoid wall-type fans which create air cross-currents within the room.

This griddle is Design Certified for installation on a non-combustible counter with 4" legs, or combustible floor with 25" high stand.

INSTALLATION CLEARANCES

	COMBUSTIBLE CONSTRUCTION	NON-COMBUSTIBLE CONSTRUCTION
Back:	6"	0"
Right	6"	0"
Left Side	6"	0"

INSTALLATION CODES AND STANDARDS

The griddle must be installed in accordance with:

In the United States of America:

1. State and local codes.
2. National Fuel Gas Code, ANSI-Z223.1/NFPA #54 (latest edition). This shall include but not be limited to: NFPA #54 Section 10.3.5.2 for Venting. Copies may be obtained from The American Gas Association Accredited Standards Committee Z223, @ 400 N. Capital St. NW, Washington, DC 20001 or the Secretary Standards Council, NFPA, 1 Batterymarch Park Quincy, MA 02169-7471

NOTE: In the Commonwealth of Massachusetts

All gas appliances vented through a ventilation hood or exhaust system equipped with a damper or with a power means of exhaust shall comply with 248 CMR.

3. NFPA Standard # 96 *Vapor Removal from Cooking Equipment*, latest edition, available from the National Fire Protection Association, Batterymarch Park, Quincy, MA 02269.

In Canada:

1. Local codes.
2. CAN/CSA-B149.1 Natural Gas Installation (latest edition)
3. CAN/CSA-B149.2 Propane Installation Code (latest edition), available from the Canadian Gas Association, 178 Rexdale Blvd., Etobicoke, Ontario, Canada M9W 1R3

GRIDDLES MOUNTED ON STANDS WITH CASTERS

Griddles mounted on stands with casters must use a flexible connector (not supplied) that complies with the Standard for Connectors for Movable Gas Appliances ANSI Z21.69•CSA6.16, and a quick-disconnect device that complies with Gas Fuel, ANSI Z21.3•CSA6.9. In addition, adequate means must be provided to limit movement of the appliance without depending on the connector and the quick-disconnect device (or its associated piping) to limit appliance movement. Attach the restraining device at the rear of the griddle as shown in Fig. 1.

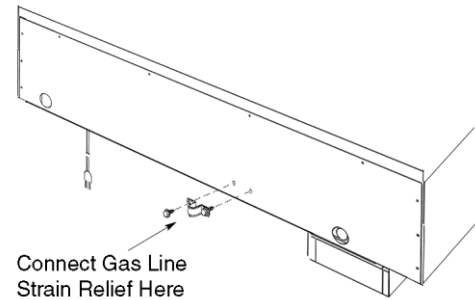


Fig. 1

If disconnection of the restraint is necessary, turn off the gas supply before disconnecting. Reconnect the restraint prior to turning the gas supply on and returning the griddle to its installation position.

Castors are only supplied on a griddle stand. If the griddle is moved for any reason the griddle should be re-leveled (see LEVELING in this manual).

FLUE CONNECTIONS

Do not obstruct the flow of flue gases from the flue, located at the rear of the griddle. It is recommended that flue gases be ventilated to the outside of the building through a ventilation system installed by qualified personnel.

From the termination of the flue to the filters of the hood venting system, a minimum clearance of 18" must be maintained.

Information on the construction and installation of ventilating hoods may be obtained from the standard for "Vapor Removal from Cooking Equipment", NFPA No. 96 (latest edition), available from the National Fire Protection Association, Batterymarch Park, Quincy, MA 02269.

STANDS

The griddle has an optional 24" high by 30" deep stainless steel stand with casters. The two front casters lock. The stand includes a top shelf with marine edges style lip and a lower shelf.

GAS CONNECTIONS

NOTICE Gas supply connections and any pipe joint compound must be resistant to the action of propane gases.

Use a 3/4" NPT gas supply line for the griddle inlet, located at the rear of the griddle. All flexible and semi-rigid gas supply lines must comply with the applicable ANSI standard. To ensure maximum operating efficiency this appliance must be connected with a gas supply line of solid pipe or a commercial type Flexible Connector with the net inside diameter (I.D.) as large as or larger than the gas pipe inlet on this appliance. Codes require that a gas shutoff valve must be installed in the gas line upstream of the griddle.

WARNING Prior to lighting, check all joints in the gas supply line for leaks. Use soap and water solution. Do not use an open flame.

After checking for leaks all lines receiving gas should be fully purged to remove air.

TESTING THE GAS SUPPLY SYSTEM

When the gas supply pressure exceeds ½ psig (3.45 kPa), the griddle and its individual shutoff valve must be disconnected from the gas supply piping system.

When the gas supply pressure is ½ psig (3.45 kPa) or less, the griddle should be isolated from the gas supply system by closing its individual manual shutoff valve.

GAS PRESSURE REGULATOR INSTALLATION

A gas pressure regulator is supplied with the griddle and must be installed. Install the regulator as close to the griddle on the gas supply line as possible. Make sure that the arrow on the underside of the regulator is oriented in the direction of gas flow to the griddle (Fig. 2) and the regulator is positioned with the vent plug and adjustment screw upright (Fig. 3). Check and set the gas pressure after the regulator is installed. The pressure should be set for 4" water column (W.C.) for natural gas and 10" W.C. for propane gas while all burners are on. It is recommended that a trained gas service technician with the necessary tools, instruments and skills perform the installation of the griddle and gas pressure regulator.

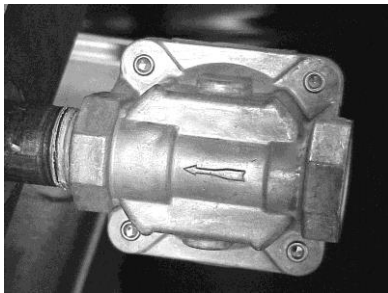


Fig. 2



Fig. 3

The supply pressure (upstream of the regulator) should be 7-9" W.C. for natural gas and 11-12" W.C. for propane gas. At no time should the griddle be connected to supply pressure greater than ½ psig (3.45 kPa) or 14" W.C.

ELECTRICAL CONNECTIONS – 900RX MODELS

⚠ WARNING Electrical and grounding connections must comply with the applicable portions of the National Electrical Code and/or other local electrical codes.

⚠ WARNING Disconnect the electrical power to the griddle and follow lockout / tagout procedures.

⚠ WARNING Appliances equipped with a flexible electric supply cord are provided with a three-prong grounding plug. It is imperative that this plug be connected into a properly grounded three-prong receptacle. If the receptacle is not the proper grounding type, contact an electrician. Do not remove the grounding prong from this plug.

Power supply for electric ignition is 120 volts, 1 amp, 50/60 Hertz, 1 phase.

Do not connect the griddle to electrical supply until after gas connections are made.

OPERATION

⚠ WARNING The griddle and its parts are hot. Use care when operating, cleaning or servicing the griddle.

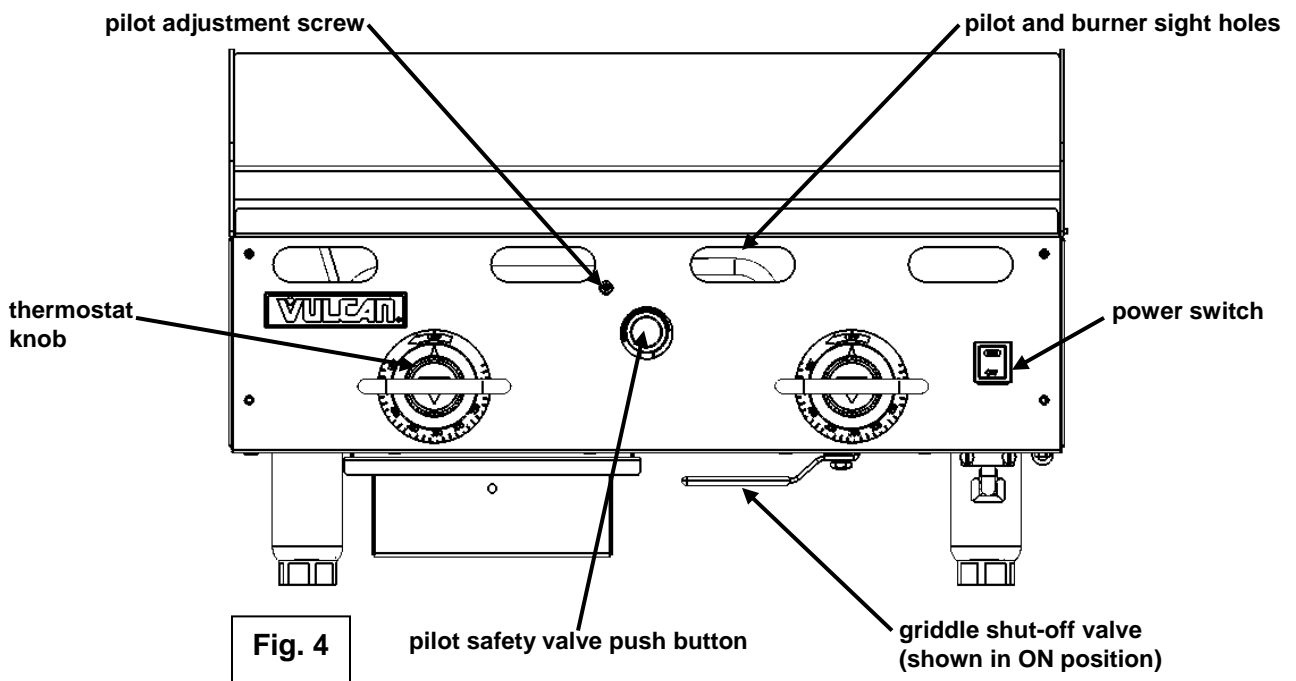
BEFORE FIRST USE

Remove all packing material and protective plastic from the surfaces of the unit. Before leaving the factory the griddle is coated with vegetable oil as a rust inhibitor. Remove this film when the griddle plate is being cleaned prior to its first cooking use. Heat the griddle to 200-300°F to loosen and melt the coating, then clean the surface by adding water or a non-corrosive, grease dissolving commercial cleaner, following the manufacturer's directions. Scrape the oil residue from the plate with a griddle scraper. Rinse thoroughly and wipe dry with a soft clean cloth. Clean all accessories.

SEASONING THE GRIDDLE

Season the griddle to avoid possible surface corrosion before first use, and after every cleaning. This will also help reduce the sticking of cooked food product. Heat griddle to a low temperature (300-350°F) and apply a small amount of cooking oil – about one ounce per square foot of surface. Use a soft lint-free cloth to spread the oil over the entire griddle surface to create a thin film. Wipe off any excess oil with a cloth. Repeat the procedure until the griddle has a slick, mirror-like finish.

CONTROLS – 900RX MODELS



This model features an electric ignition system that is controlled by a momentary power switch. The power switch turns the electric ignition system off and on only and will only supply power to the igniters when held down in the ON position. The burners and pilots will continue to work with power switch in the OFF position until the gas supply to the unit is cut off or the griddle gas shut-off valve is turned to the OFF position (Fig. 6). In the event of a failure of the electronic ignition system, it is possible to ignite the pilots with an outside source (such as a lit taper, etc). See pilot lighting procedure.

There is one pilot and one safety valve for every two burners except on the 36" and 60" models. The 36" and 60" models have an odd number of main burners, therefore one of the sets of pilots and safety valves in these models will control only one main burner. The pilot burners are aligned with the pilot safety valve bush buttons. The pilot burners are inset 12" from the front panel. The pilots are monitored by thermocouples and pilot safety valves. If the pilot goes out, the safety valve will shut-off the gas supply to the pilot and main burners.

Each 12" section of the griddle is independently controlled by a mechanical snap-action thermostatic valve. The thermostats have an operating range of 200 to 550 degrees. Once pilots are lit, turning the thermostats to the desired setting is all that is required to put the unit into service.

Each 12" griddle section may be turned off independently by setting the corresponding thermostat to the OFF position. You may also leave all thermostats set at the desired settings and turn all sections off at once by turning the griddle shut-off valve to the OFF position (Fig. 6). This will turn off the gas supply to the pilots and thermostats for all sections. Turning the griddle shut-off valve to the ON position (Fig. 5) and relighting the pilots at the beginning of the next cooking shift will be required to put the unit back in service. See pilot lighting procedure.

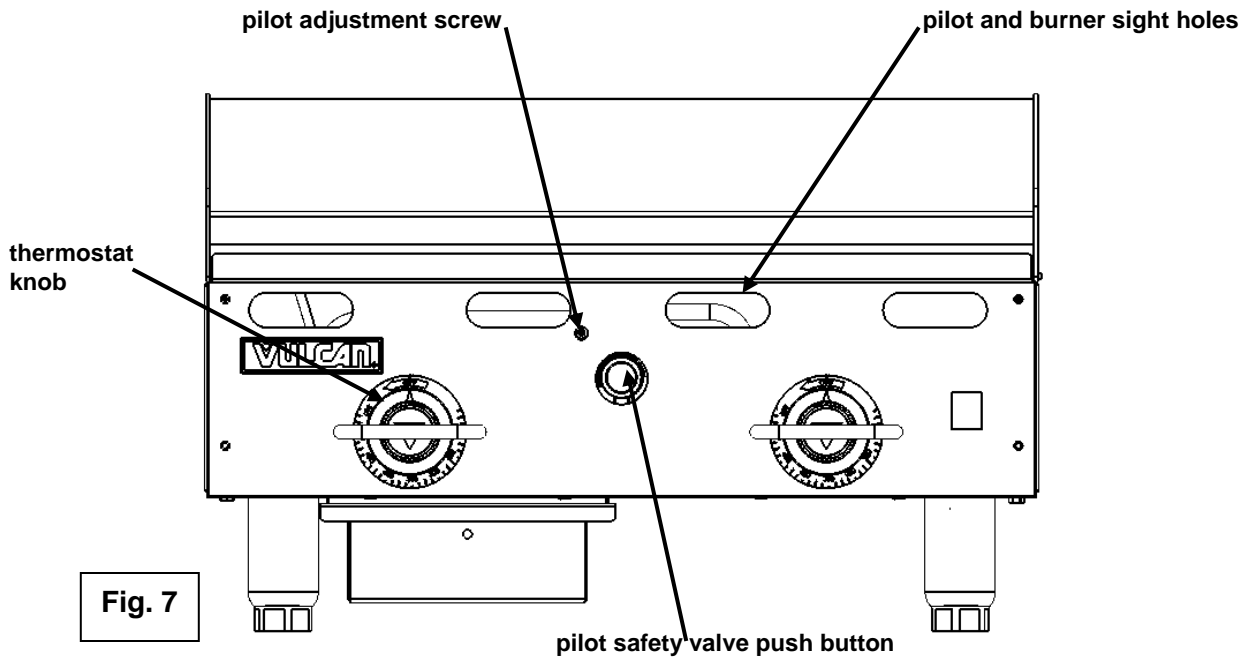


Fig. 5



Fig. 6

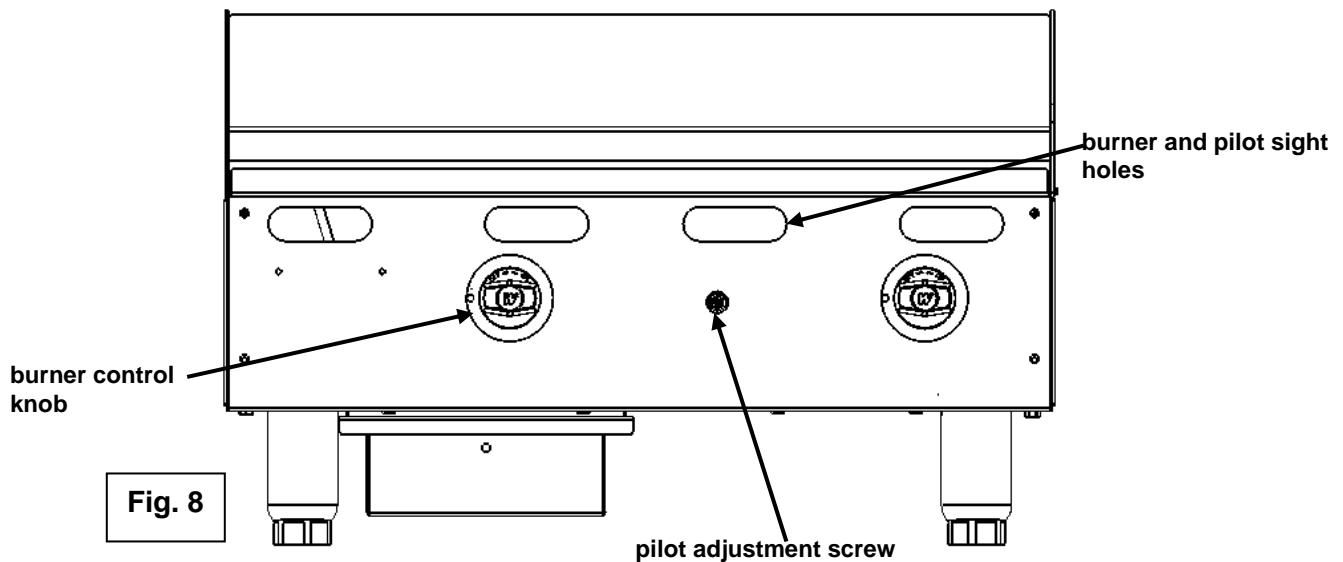
CONTROLS – MSA AND ASA MODELS



This model features a standing pilot that must be manually lit with an outside ignition source (such as a lit taper, etc). The pilot is monitored by a thermocouple and pilot safety valve. If the pilot goes out, the safety valve will shut-off the gas supply to the pilot and main burners. There is one pilot and one safety valve for every two burners except on the 36" and 60" models. The 36" and 60" models have an odd number of main burners, therefore one of the sets of pilots and safety valves in these models will control only one main burner. The pilot burners are aligned with the safety valve bush buttons. The pilot burners are inset 12" from the front panel. See pilot lighting procedure.

Each 12" section of the griddle is independently controlled by a mechanical snap-action thermostatic valve. The thermostats have an operating range of 200 to 550 degrees. If the pilots are lit, turning the thermostats to the desired setting is all that is required to put the unit into service.

CONTROLS – AGM MODELS



The model is equipped with standing pilots. Gas will flow from the pilots as soon as the main gas supply to the unit is turned on. The pilots are lit with the use of an outside ignition source (such as a lit taper, etc). There is one pilot for every two burners except on the 36" and 60" models. The 36" and 60" models have an odd number of main burners; therefore, one of the sets of pilots in these models will control only one main burner. The pilots are inset 12" from the front panel. See pilot lighting procedure.

Each 12" section of the griddle is independently controlled by an infinite heat control valve. Once the pilots are lit, turning the burner control knob to the full ON position will light each burner. The burners will be in the full ON position when the knobs are turned all the way to the left (Fig. 10). The burners will be in the full OFF position when the knobs are turned all the way to the right (Fig. 9). The height of the burner flame and cooking plate temperature can be adjusted by turning the burner control knobs while viewing burners through the burner sight holes.



Fig. 9

Burner control knob in the OFF position.
Turned all the way to the right.

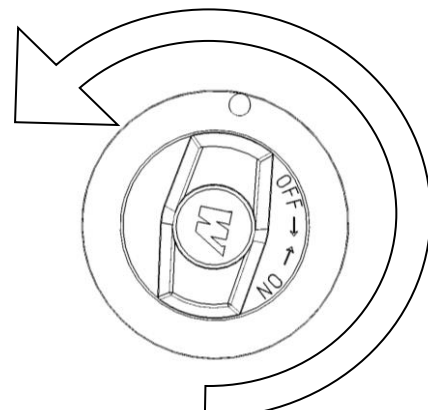
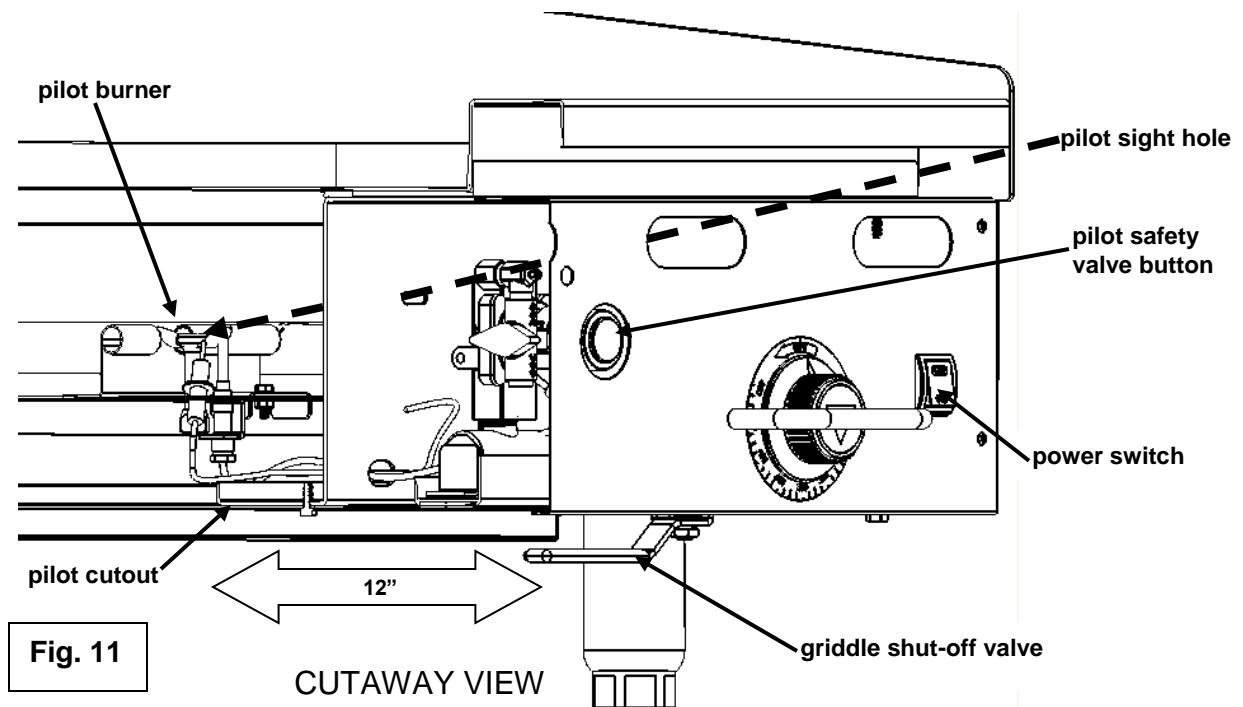


Fig. 10

Burner control knob in the full ON position. Turned all the way to the left - 225 degrees from the OFF position.

PILOT LIGHTING PROCEDURE – 900RX MODELS

1. Turn the griddle shut-off valve to the OFF position (See Fig.6 on page 9). Wait 5 minutes to allow any gas that may have accumulated in the burner compartment to escape.
2. Turn the griddle shut-off valve to the ON position (See Fig. 5 on page 9).
3. Push and hold the power switch in the ON position. The switch will illuminate and you will hear a “clicking” sound.
4. While continuing to hold the power switch in the ON position, depress and hold the red button on the pilot safety valve while the electric igniters light the corresponding pilots. You will have to monitor the pilot burners through the pilot sight holes. The pilot burners are aligned with the red buttons on the pilot safety valves. The pilot burners are inset 12” from the front of the unit.



5. Watch for the pilot burners to ignite. When the gas at the pilot has been burning for about 45 seconds, release the corresponding red button on the pilot safety valve. If the pilot does not remain lit, repeat the procedure allowing more time before releasing the button. The amount of time necessary to hold the safety valve button will increase at the initial installation of the unit and if the main gas supply has been turned off for a long period of time. It may be necessary to adjust the pilot valve to increase gas to the pilot.
6. Repeat steps until all pilots are lit.
7. The pilot burners can be lit manually in the event of a failure of the electronic ignition system. If this happens, repeat steps 1-5 without holding the power switch in the ON position. You will have to reach under the front of the unit and through the pilot cutout to ignite the pilots with an outside ignition source (such as a lit taper, etc.) while again depressing the corresponding red button.
8. If after completing steps 1 – 7 and the pilot does not light, turn the griddle shut-off valve to the OFF position (See Fig. 6 on page 9) and contact an authorized service contractor.

PILOT LIGHTING PROCEDURE- MSA AND ASA MODELS

1. Turn the main gas shut-off valve to the OFF position. Wait 5 minutes to allow any gas that may have accumulated in the burner compartment to escape.
2. Turn the main gas shut-off valve ON.
3. Depress and hold the safety valve button while lighting the corresponding pilot. You will have to reach under the front of the unit to light with an outside ignition source (such as a lit taper, etc.) while viewing thru the pilot sight hole.
4. When the gas at the pilot has been burning for about 45 seconds, release the safety valve button. If the pilot does not remain lit, repeat the operation allowing more time before releasing the button. The amount of time necessary to hold the safety valve button will increase at the initial installation of the unit and if the main gas supply has been turned off for a long period of time. It may be necessary to adjust the pilot valve to increase gas to the pilot.
5. Repeat steps until all pilots are lit.
6. If after completing steps 1-5 pilot does not light, turn off the main gas shut-off valve and contact an authorized service contractor.

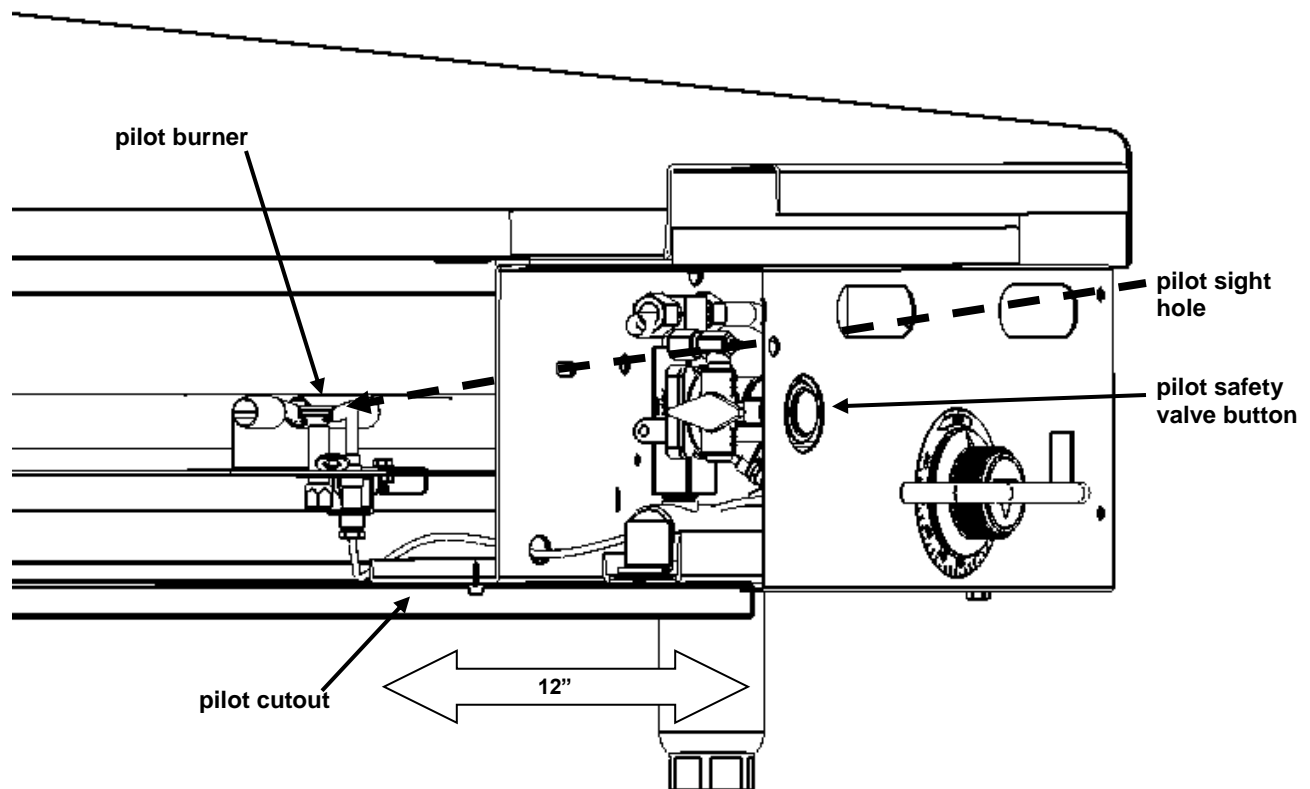


Fig. 12

CUTAWAY VIEW

PILOT LIGHTING PROCEDURE – AGM MODELS

1. Turn the main gas shut-off valve and all burner control knobs to the OFF position. Wait 5 minutes to allow any gas that may have accumulated in the burner compartment to escape.
2. Turn the main gas shut-off valve ON.
3. While viewing through the pilot sight hole, you will have to reach under the front of the unit and through the pilot cutout to ignite the pilots with an outside ignition source (such as a lit taper, etc.). It may be necessary to adjust the pilot valve to increase gas to the pilot.
4. Repeat steps until all pilots are lit
5. To light main burners, turn individual burner control knobs to the full ON position.
6. If after completing steps 1-5 main burners do not light, turn off the main gas shut-off valve and contact an authorized service contractor.

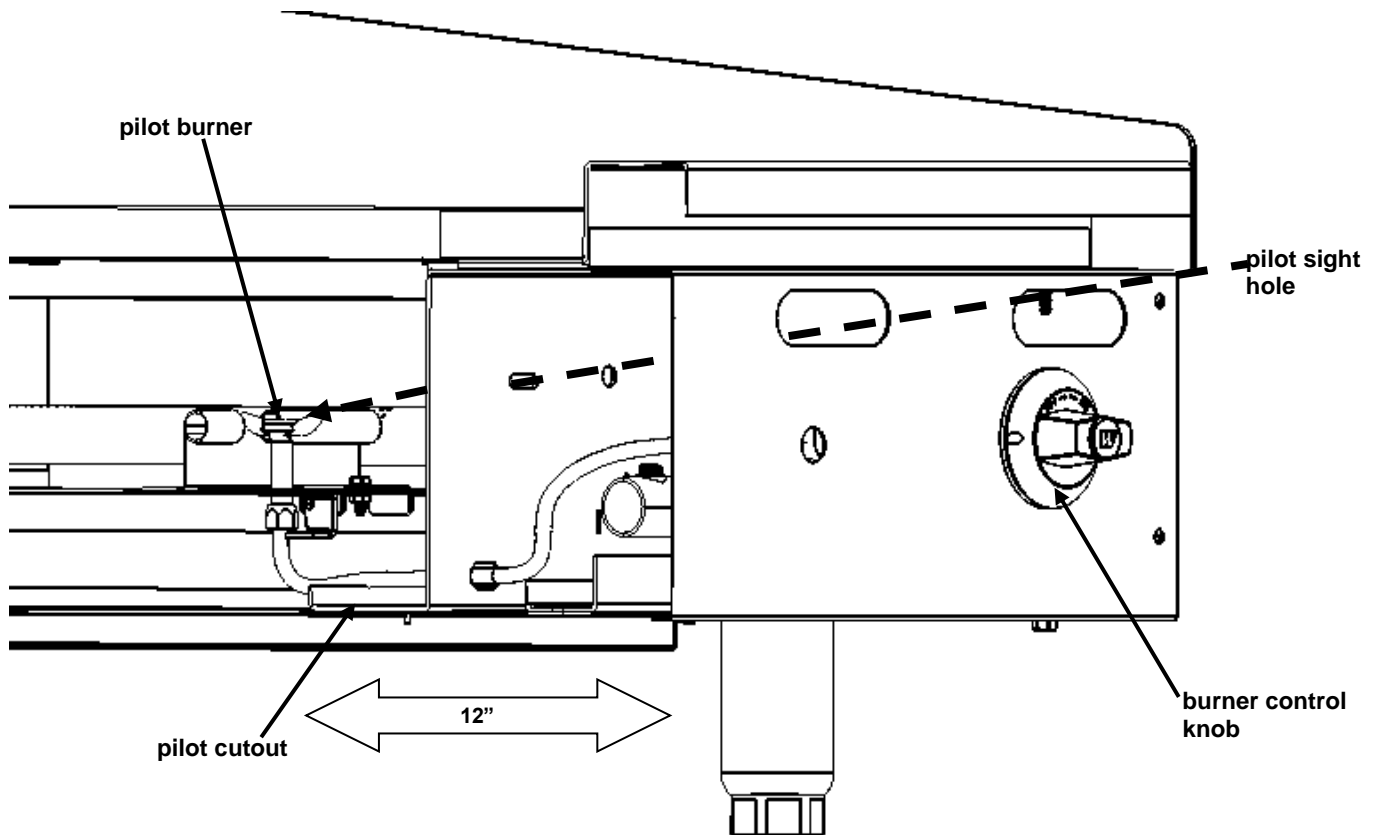


Fig. 13

CUTAWAY VIEW

USING THE GRIDDLE

To preheat, turn the burners on about 20-25 minutes before cooking.

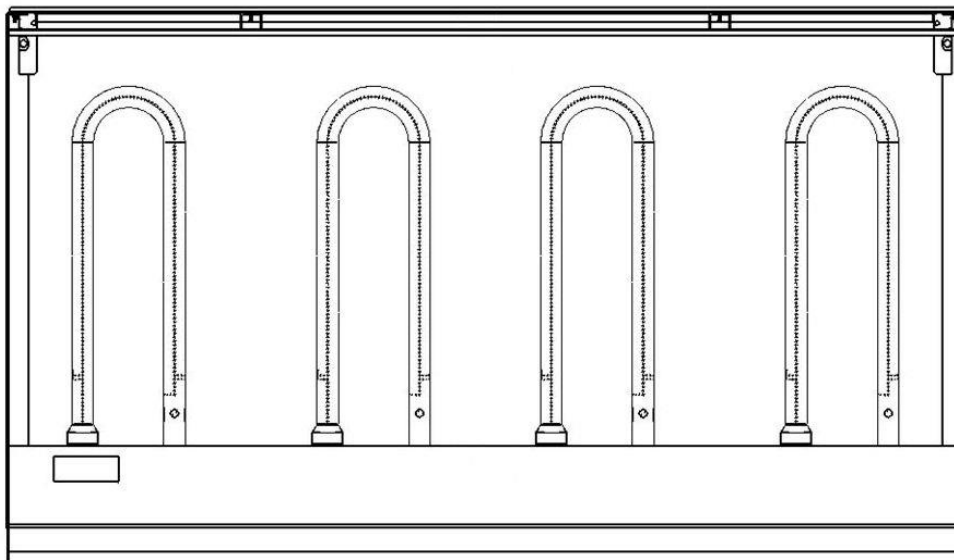
A uniform and systematic approach to loading the griddle will produce the most consistent product results.

The griddle plate is steel, but the surface is relatively soft and can be scored or dented by careless use of a spatula or scraper. Be careful not to dent, scratch, or gouge the plate surface. Do not try to knock off loose food that may be on the spatula by tapping the corner or the edge of the spatula on the griddle surface.

ZONE COOKING

This griddle features a tubular U-shaped burner in 12" sections, each controlled by independent thermostats (900RX, MSA and ASA models) or manual valves (AGM models). Each 12" section is a separate cooking zone, and allows cooking a wide variety of products over a single griddle plate. The chart below is a suggested usage of zone cooking.

When zone cooking, it is suggested that you start with your lowest temperature setting at either side of the griddle, increasing the zone temperature as you move up the zone line. These zone cooking guidelines will vary depending on product temperatures, size and shape. This guide should be adjusted to suit your product and operational cooking preference.



ZONE 1 (300°F)	ZONE 2 (350°F)	ZONE 3 (350°F)	ZONE 4 (400°F)
PRODUCT Sausage Eggs (Hard Fried) Eggs (Scrambled) Burger (Well Done) Steak (Well Done) Chicken Breast Frozen Foods Pork Chops	PRODUCT Pancakes French Toast Bacon Eggs (Sunny Side Up) Boiled Ham Steak (Medium Well) Fresh Burger (Medium Well) Small Frozen Burger (Medium Well)	PRODUCT Omelet Hash Browns Canadian Bacon	PRODUCT Steak (Rare) Stir Fry Vegetables Salmon Fish Cakes Lobster Scampi

CLEANING THE GRIDDLE

Empty the grease drawer as needed throughout the day and regularly clean at least once daily.

Clean the griddle regularly. A clean griddle always looks better, lasts longer and performs better. To produce evenly cooked, perfectly browned griddle products keep the griddle plate clean and free of carbonized grease. Carbonized grease on the surface hinders the transfer of heat from the griddle surface to the food, resulting in spotty browning and loss of cooking efficiency. Carbonized grease tends to cling to griddle foods, giving them a highly unsatisfactory and unappetizing appearance.

To keep the griddle clean and operating at peak efficiency, follow these procedures:

AFTER EACH USE

Clean the griddle cooking surface accordingly to the type of surface on your model. See the specific cleaning instructions by cooking surface finish. Empty the grease drawer throughout the day as needed.

ONCE PER DAY

Thoroughly clean the griddle back splash, sides and front. Do not hit the backsplash with a spatula or any other tool. This may create a gap between the splash and griddle plate that is hard to clean. Remove, empty and wash the grease drawer in the same manner as an ordinary cooking utensil.

ONCE PER WEEK

Clean the griddle surface thoroughly per the instructions for the surface finish of your particular model. After cleaning the plate, the griddle should be seasoned according to the instructions in this manual.

Clean stainless steel surfaces with a damp cloth and polish with a soft dry cloth. To remove discoloration, use a griddle cleaner.

If the griddle usage is very high, consider conducting this weekly cleaning procedure more than once per week.

CLEANING THE STANDARD STEEL GRIDDLE PLATE COOKING SURFACE

AFTER EACH USE

Clean the griddle cooking surface regularly with a griddle scraper during the work shift.

ONCE PER DAY

Turn the griddle off and allow it to cool down between 275°F-300°F, apply room temperature water and clean it with a griddle scraper.

ONCE PER WEEK

Clean the griddle surface thoroughly. Use a griddle brick, screen, or Scotch Bright™ pad on the surface as necessary. Rub with the grain of the metal while the griddle is still warm (not hot). A detergent may be used on the plate surface to help clean it, but be sure the detergent is thoroughly removed by flushing with clear water. After cleaning, reseason the cooking surface according to the instructions in this manual. If the griddle usage is very high, consider conducting this weekly cleaning procedure more than once per week.

CLEANING THE OPTIONAL CHROME GRIDDLE PLATE COOKING SURFACE

AFTER EACH USE

Clean the griddle cooking surface regularly with a palmetto brush and a bladed griddle scraper during the work shift. Never use an abrasive scouring pad or griddle brick on a chrome plate surface. The chrome surface can be damaged by careless use of a spatula or scraper.

ONCE PER DAY

Clean chrome surfaces with a damp cloth and polish with a soft dry cloth.

ONCE PER WEEK

If the chrome plate has become carbonized or blackened, use a non-abrasive, non-silicated cleaner such as Bon Ami®. Be sure the cleaning agent is thoroughly removed by flushing with clear water. Wipe with a damp cloth and polish with a soft dry cloth. After cleaning, reseason the cooking surface according to the instructions in this manual.

CLEANING THE OPTIONAL RAPID RECOVERY™ COMPOSITE GRIDDLE PLATE COOKING SURFACE

The Rapid Recovery™ griddle plate is a composite material which is engineered to provide a high heat transfer rate to the food. The top surface is stainless steel and can be scored or dented by careless use of a spatula or scraper.

AFTER EACH USE

Clean the griddle cooking surface regularly with Nemco Easy Grill Scraper™ or similar type of griddle scraper during the work shift.

ONCE PER DAY

Turn the griddle off and allow it to cool down between 275°F-300°F, apply room temperature water and clean it with a griddle scraper.

ONCE PER WEEK

Clean the griddle surface thoroughly with water, Scotch-Brite™ Quick Clean Griddle System or Ecolab Grease Express™ High-Temp Grill Cleaner. Be sure the cleaning agent is thoroughly removed by flushing with clear water. After cleaning, reseason the cooking surface according to the instructions in this manual.

If the griddle usage is very high, consider conducting this weekly cleaning procedure more than once per week.

Do not use a brick or griddle stone for cleaning.

Do not use chlorine sanitizer in contact with griddle. Contact can cause discoloration, corrosion and permanent damage.

Do not use cleaning agents including Sodium Hydroxide, which is common in household oven cleaners.

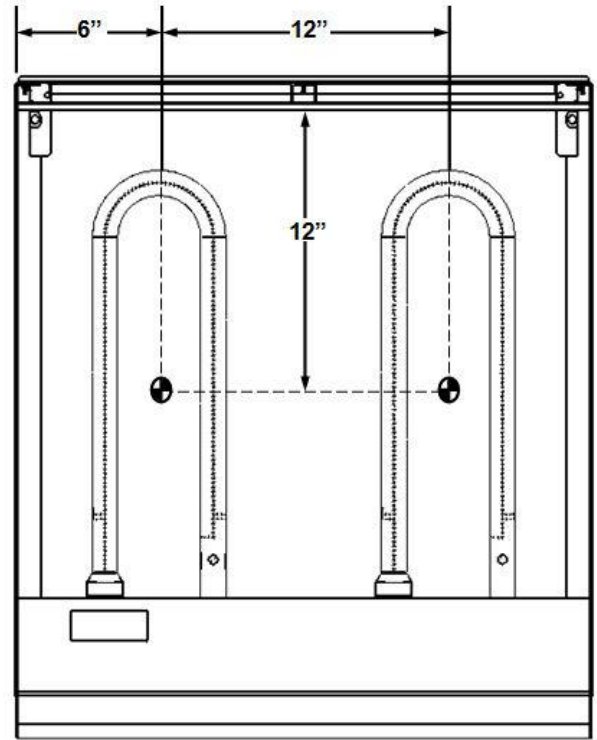
ADJUSTMENTS

CALIBRATION-900RX AND MSA MODELS

- Each thermostat controls a 12" zone of the griddle. Using a Surface Probe temperature measurement device, observe the temperatures at the center points of the cooking zones. These points are located by starting 6" from the side splash (left or right) and every 12" across the width of the griddle, with all points located 12" back from the front edge of the griddle plate.

NOTE: Use of infrared thermometers is not recommended. These devices are highly sensitive to surface color (clean or dirty), angle of reading and distance from the unit.

- Set thermostats to 350°F and allow to stabilize, allowing the burner to cycle ON and OFF at least two times.
- Watch for burner to cycle OFF, then measure the temperature for that zone. The temperature should be 350°F ±15°F. If not, continue to Step 4.



- Carefully loosen the knob set screw. DO NOT allow the knob to turn. Carefully remove the knob from the thermostat shaft, exposing the temperature dial.
 - Loosen screws on the temperature dial and adjust so that the temperature indicated by the knob arrow matches the griddle plate temperature reading. Knob will have to be placed back on the shaft to verify adjustment.

IMPORTANT: NEVER ADJUST THE SCREW IN THE CENTER OF THE THERMOSTAT SHAFT. This will ruin the factory calibration; the thermostat will no longer operate properly and will need to be replaced.

- Once calibration is achieved, tighten the temperature dial screws and knob set screws.



Step 4a. Set knob & check Temperature.
Remove knob



Step 4b. – Adjust temperature dial & verify temperature setting



Step 5 –Replace knob & tighten screws

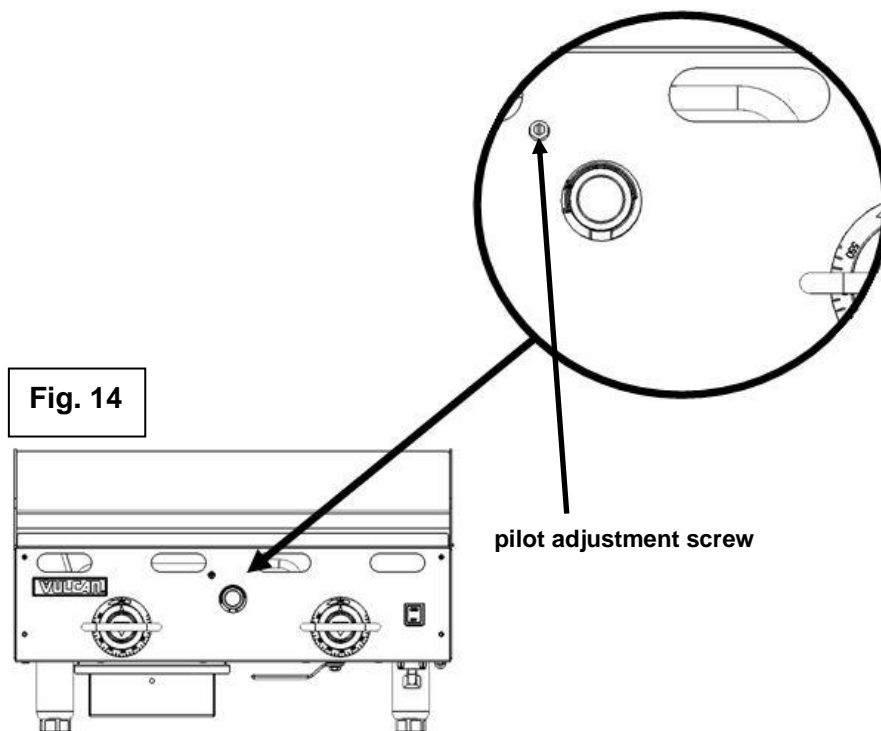
LEVELING

The griddle must be level (side-to-side and front-to-back) during operation to ensure proper performance. Improper leveling can result in uneven temperature distribution, cold spots, and possibly damage electrical components.

1. Place a level on the griddle.
2. Adjust legs by turning the bullet feet at the bottom of each leg. Using pliers or a crescent wrench, turn the feet counter-clockwise to increase height, and clockwise to decrease height until leveling is achieved. Do not extend the legs more than 1- $\frac{3}{4}$ ".

PILOT ADJUSTMENT

Using a flathead screwdriver, turn the slotted hex-head pilot adjustment screw clockwise to decrease the flame, and counterclockwise to increase the flame. See Fig. 14.



SHUTDOWN OF GRIDDLE WITH ELECTRIC IGNITION SYSTEM – 900RX MODELS

1. Turn thermostats to the OFF position to cut off burners or turn griddle shut-off valve to the OFF position.
2. Turning the griddle shut-off valve to the OFF position will turn the gas off to all thermostats and pilots. The pilots will have to be relit when restarting the griddle.
3. The pilots will remain lit and monitored by the safety valve as long as the griddle shut-off valve is left in the ON position.

SHUTDOWN OF GRIDDLE – MSA AND ASA MODELS

1. Turn thermostats to the OFF position to cut off burners.
2. The pilots will remain lit and monitored by the safety valve as long as the main gas supply is on.

SHUTDOWN OF GRIDDLE WITH STANDING PILOT SYSTEM – AGM MODELS

1. Turn burner control knobs to the OFF position to cut off burners.
2. The pilots will remain lit as long as the main gas supply is on.

EXTENDED SHUTDOWN – ALL MODELS

1. Turn the griddle shut-off valve and/or the main gas supply valve to the OFF position.
2. Unplug the griddle electrical supply cord (if applicable).
3. Apply a heavy coat of vegetable oil over the griddle plate to inhibit rust.

MAINTENANCE

⚠ WARNING The griddle and its parts are hot. Use care when operating, cleaning or servicing the griddle.

LUBRICATION

All valves must be checked and lubricated periodically. Check with your service agency for details.

VENT

Daily, when the griddle is cool, check the flue and clear any obstructions.

SERVICE AND PARTS INFORMATION

Contact the Service Contractor in your area to obtain service and parts information. For a complete listing of Service and Parts depots refer to **www.vulcanequipment.com**.

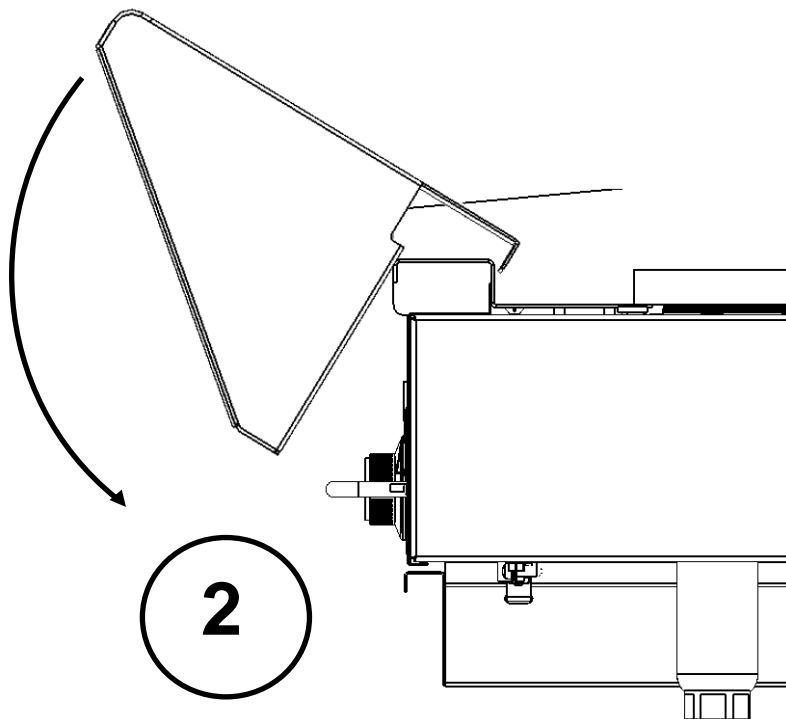
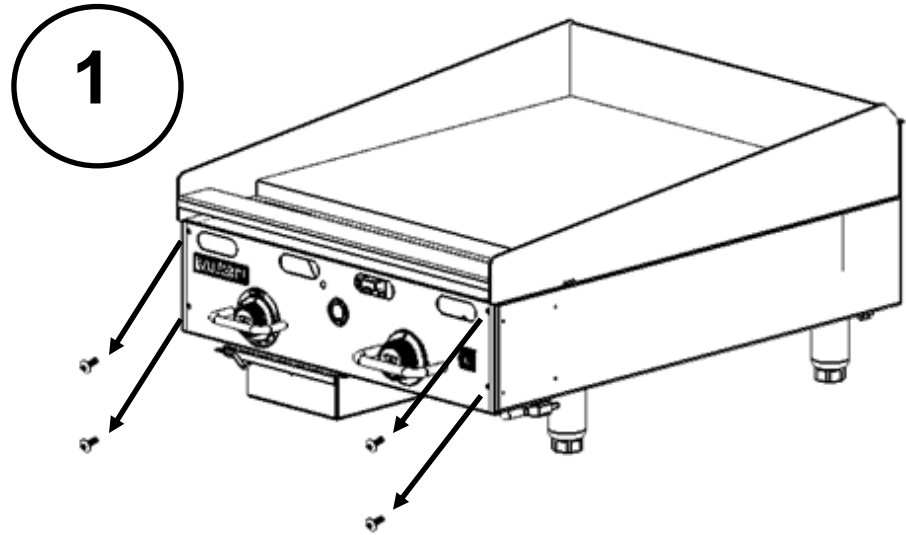
When calling for service the following information should be available from the appliance serial plate: Model Number, Serial Number and Gas Type. The appliance serial plate is located on the right side panel.

TROUBLESHOOTING

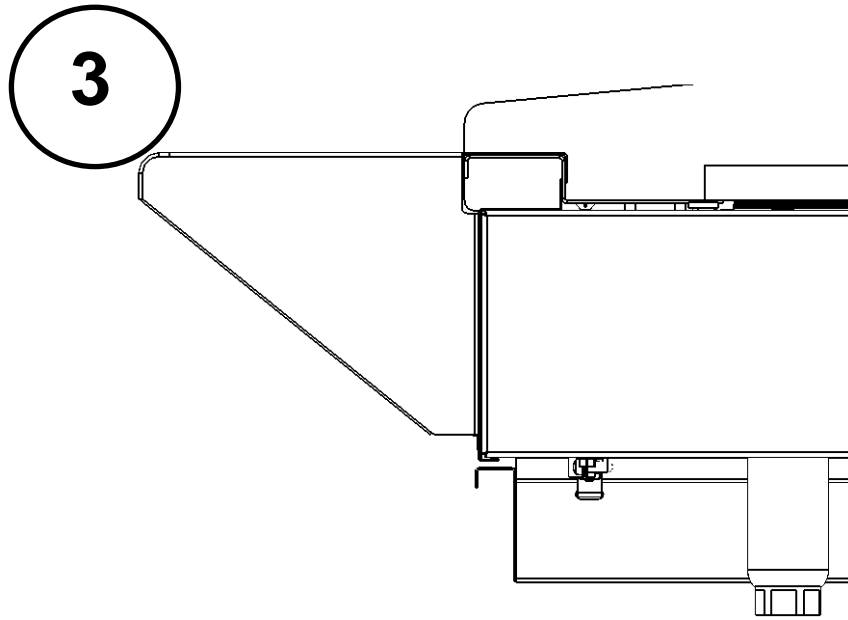
PROBLEM	POSSIBLE CAUSES
Heat does not come on when the thermostat or burner valve is turned on	<ol style="list-style-type: none"> 1. Problem with thermostat or burner valve. (Call for service) 2. Pilot burner not lit. 3. Griddle shut-off valve not in ON position. 4. Low gas pressure. (Call for service)
Pilot burner will not light	<ol style="list-style-type: none"> 1. Griddle shut-off valve not in On position. 2. Obstructed pilot orifice. (Call for service) 3. Pilot gas turned off at pilot. Adjust pilot to allow gas flow 4. Problem with pilot safety valve. (Call for service) 5. Problem with thermocouple. (Call for service) 6. Low gas pressure. (Call for service)
Pilot burner will not stay lit	<ol style="list-style-type: none"> 1. Obstructed or wrong size pilot orifice. (Call for service) 2. Gas supply not purged of air. Depress pilot safety button until air is purged. 3. Air blowing pilot out. (Call for service) 4. Problem with pilot safety valve. (Call for service) 5. Thermocouple not in flame. (Call for service) 6. Low gas pressure. (Call for service)
Fat appears to smoke excessively	<ol style="list-style-type: none"> 1. Temperature set too high. 2. Moisture in food may be turning into steam
Food sticks to griddle or burned around edges or contains dark specs	<ol style="list-style-type: none"> 1. Temperature set too high. 2. Griddle surface requires cleaning and/or seasoning. 3. Surface under food not covered with enough cooking oil.
Food under-cooked inside	<ol style="list-style-type: none"> 1. Temperature set too low. 2. Food not cooked for long enough time.
Food tastes greasy or has objectionable off-flavor	<ol style="list-style-type: none"> 1. Food itself may have off-flavor. 2. Food stored improperly before cooking. 3. Too much griddle fat used. 4. Temperature set too low.
Noticeable build-up of gum on griddle	<ol style="list-style-type: none"> 1. Temperature set too high. 2. Griddle surface needs cleaning and/or seasoning. 3. Too much griddle fat used.

ACCESSORY INSTALLATION

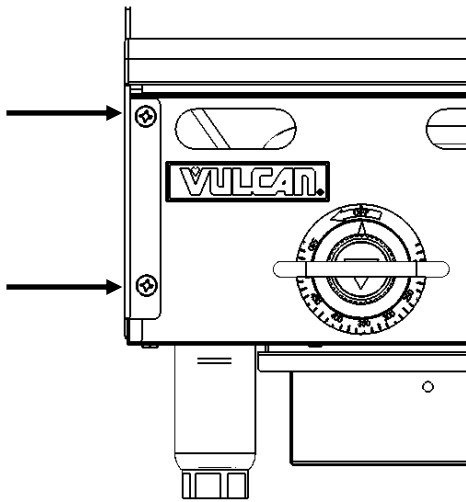
⚠ WARNING The griddle and its parts are hot. Use care when operating, cleaning or servicing the griddle.



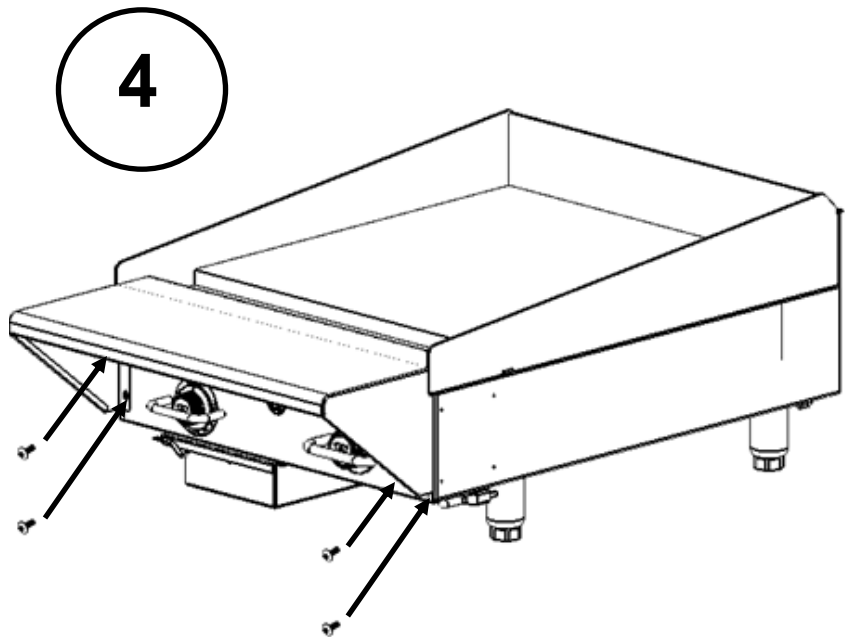
SIDE VIEW



SIDE VIEW

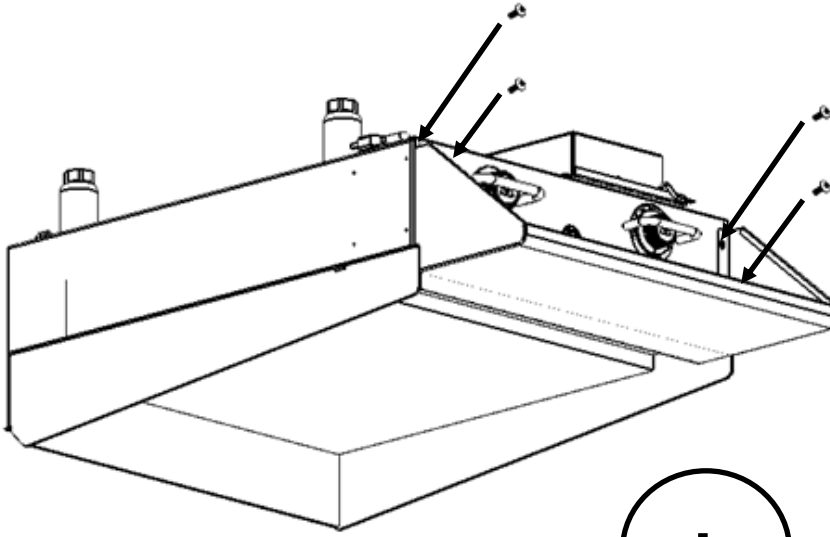


FRONT VIEW



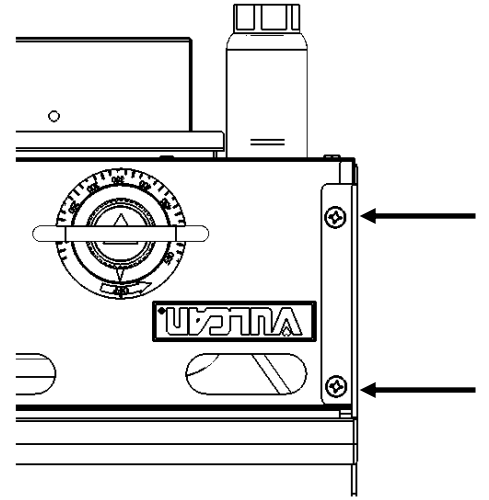
NOTES

REMARQUES

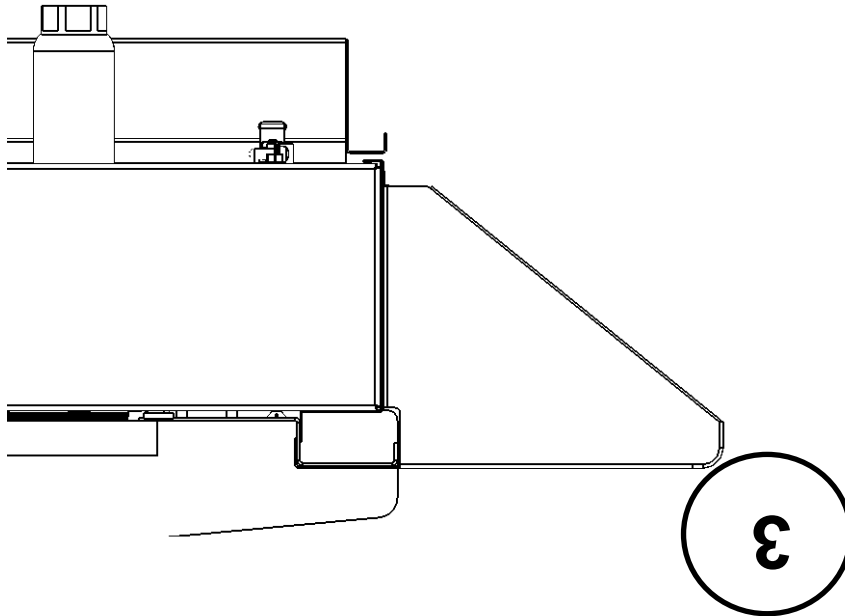


4

VUE DE DEVANT



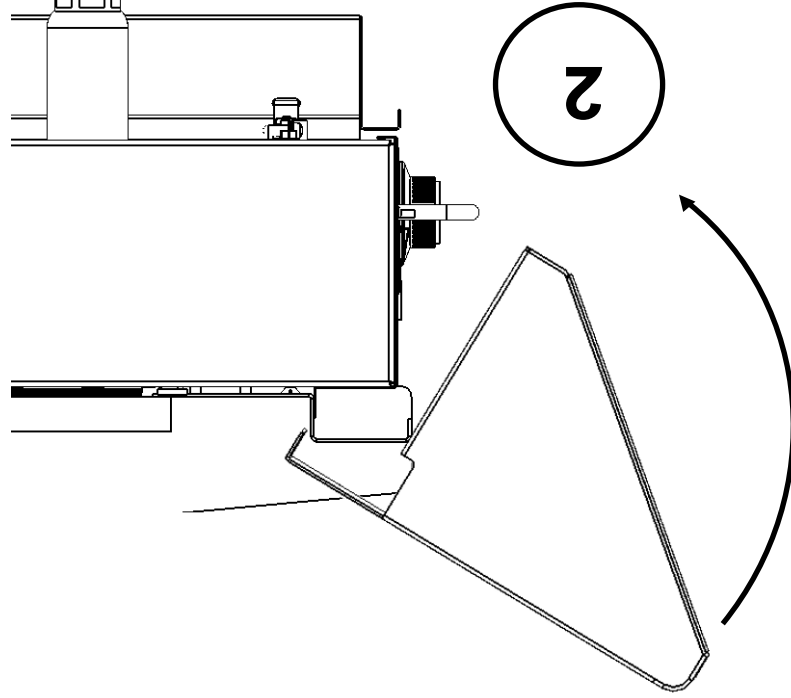
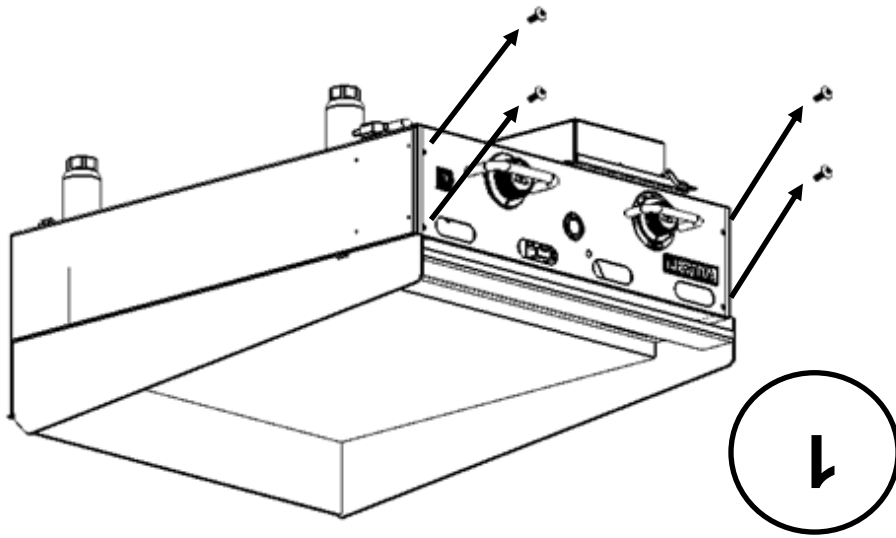
PROFIL



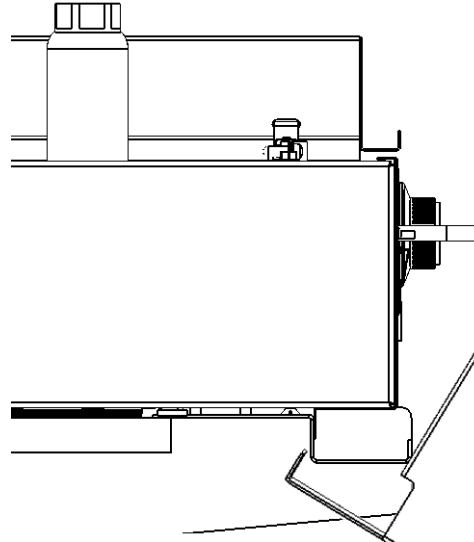
3

INSTALLATION DE COMPLICE

▲ AVERTISSEMENT La plaque à frite et ses composants sont chauds. Exercer une extrême prudence lors de l'exploitation, du nettoyage et de l'entretien de cet appareil.



PROFIL



CAUSES POSSIBLES	PROBLÈME
<ol style="list-style-type: none"> 1. Problème de thermostat. (Communiquer avec le service de l'entretien). 2. Le brûleur de la veilleuse ne reste pas allumé. 3. Le robinet d'arrêt de la plaque chauffante n'est pas ouvert. 4. La pression du gaz est basse. (Contactez le service à la clientèle). 	<p>Aucune chaleur lorsqu'on ouvre le thermostat</p>
<ol style="list-style-type: none"> 1. Le robinet d'arrêt de la plaque chauffante n'est pas ouvert. 2. Orifice de la veilleuse obstrué. (Communiquer avec le service de l'entretien). 3. La veilleuse s'éteint. (Communiquer avec le service de l'entretien). 4. Problème avec la soupape de sûreté de la veilleuse. 5. (Communiquer avec le service de l'entretien). 6. La pression du gaz est basse. (Contactez le service à la clientèle). 	<p>Le brûleur de la veilleuse ne s'allume pas</p>
<ol style="list-style-type: none"> 1. Orifice de la veilleuse obstrué ou de mauvaise taille. (Communiquer avec le service de l'entretien). 2. La conduite de gaz n'a pas été purgée pour évacuer l'air. 3. Appuyez sur le bouton de la soupape de sûreté jusqu'à ce que l'air soit évacué. 4. La veilleuse s'éteint au contact de l'air. (Communiquer avec le service de l'entretien). 5. Problème avec la soupape de sûreté de la veilleuse. 6. (Communiquer avec le service de l'entretien). 7. Pas de flamme sur le thermocouple. (Communiquer avec le service de l'entretien). 8. La pression du gaz est basse. (Contactez le service à la clientèle). 	<p>Le brûleur de la veilleuse ne reste pas allumé</p>
<ol style="list-style-type: none"> 1. Régilage de la température trop élevé. 2. Teneur en eau des aliments élevée, produisant ainsi de la vapeur. 	<p>Production excessive de fumée</p>
<ol style="list-style-type: none"> 1. Régilage de la température trop élevé. 2. Nettoyage ou apprêtage de la surface de la plaque requis. 3. Quantité insuffisante d'huile de cuisson sur la plaque. 	<p>Les aliments collent à la surface de la plaque ou brûlent sur les bords ou comportent des tâches sombres</p>
<ol style="list-style-type: none"> 1. Régilage de la température trop élevé. 2. Cuisson insuffisante des aliments. 	<p>Les aliments sont gras ou manquent de saveur</p>
<ol style="list-style-type: none"> 1. Altération de la saveur des aliments. 2. Entreposage inadéquat des aliments avant la cuisson. 3. Utilisation d'une trop grande quantité d'huile de cuisson. 4. Régilage de la température trop bas. 	<p>Les aliments sont gras ou manquent de saveur</p>
<ol style="list-style-type: none"> 1. Régilage de la température trop élevé. 2. Nettoyage ou apprêtage de la surface de la plaque requis. 3. Utilisation d'une trop grande quantité d'huile de cuisson. 	<p>Accumulation visible d'une substance gommeuse à la surface de la plaque.</p>

DÉPANNAGE

ENTRETIEN

▲ AVERTISSEMENT La plaque à frire et ses composants sont chauds. Exercer une extrême prudence lors de l'exploitation, du nettoyage et de l'entretien de cet appareil.

LUBRIFICATION

On doit vérifier et lubrifier toutes les soupapes régulièrement. Contactez votre agence de service pour de plus amples détails.

CONDUIT D'ÉVACUATION

À tous les jours, lorsque la plaque à frire est froide, vérifier le conduit d'évacuation pour s'assurer qu'il n'est pas obstrué.

RENSEIGNEMENTS SUR L'ENTRETIEN ET LES PIÈCES

Contactez l'agence de service de votre région pour obtenir des renseignements sur l'entretien et les pièces. Pour une liste des bureaux des services et des pièces, consultez www.vulcanequipment.com.

Lorsque vous appelez pour du service, les renseignements suivants doivent être disponibles sur la plaque de série de l'appareil : le numéro du modèle, le numéro de série et le type de gaz. La plaque de série de l'appareil est située sur le côté du droit du panneau.

1. Fermez le robinet d'arrêt de la plaque chauffante et/ou le robinet principal d'alimentation en gaz.
2. Débranchez le cordon d'alimentation électrique (s'il y a lieu).
3. Mettez une généreuse couche d'huile végétale sur la plaque pour empêcher la rouille.

FERMETURE PROLONGÉE – TOUS MODÈLES

1. Fermez les boutons de commande pour éteindre les brûleurs.
2. Les veilleses d'allumage resteront allumées aussi longtemps que l'alimentation principale en gaz est ouverte.

FERMETURE DE LA PLAQUE CHAUFFANTE AVEC SYSTÈME DE VEILLESSES PERMANENTES – MODÈLES AGM

1. Fermez les thermostats pour éteindre les brûleurs.
2. Les veilleses resteront allumées et contrôlées par la soupape de sûreté aussi longtemps que l'alimentation principale en gaz est ouverte.

FERMETURE DE LA PLAQUE CHAUFFANTE – MODÈLES MSA ET ASA

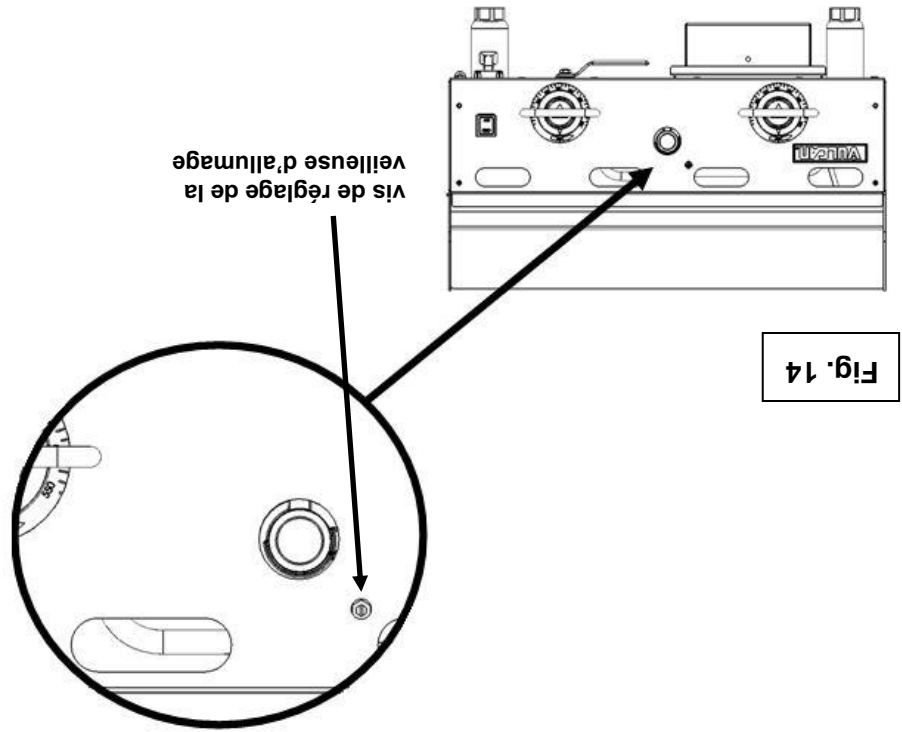
NIVELAGE

Niveler la plaque à frire (d'un côté à l'autre et d'avant en arrière) pour obtenir un meilleur rendement de l'appareil, faute de quoi la distribution de température ne sera pas égale, certains endroits seront plus froids et les composants électriques pourraient possiblement être endommagés.

1. Placer un niveau sur la plaque à frire.
2. Régler les pattes en tournant le pied télescopique au bas de chaque patte. En se servant de pinces multiprises, tourner le pied à l'inverse des aiguilles d'une montre pour augmenter la hauteur ou l'inverse pour la diminuer jusqu'à ce qu'elle soit de niveau. À la position la plus basse, ne pas étirer les pattes de plus de 44 mm (1 3/4 po).

RÉGLAGE DE LA VEILLEUSE

Pour faire baisser la flamme, utiliser un tournevis à tête plate et tourner la vis de réglage de la veilleuse dans le sens des aiguilles d'une montre et l'inverse pour l'augmenter. Les réglages de la veilleuse devraient seulement être effectués par un technicien d'entretien qualifié.



FERMETURE DE LA PLAQUE CHAUFFANTE AVEC SYSTÈME D'ALLUMAGE ÉLECTRIQUE - MODÈLES 900RX

1. Fermez les thermostats pour éteindre les brûleurs ou fermez le robinet d'arrêt de la plaque chauffante.
2. Fermer le robinet d'arrêt de la plaque chauffante (Voir Fig. 6 à la page 8) fermera le gaz de tous les thermostats et les veilleuses d'allumage. Les veilleuses devront être rallumées lorsque vous redémarrerez la plaque chauffante.
3. Les veilleuses resteront allumées et contrôlées par la soupape de sûreté aussi longtemps que l'alimentation principale sera maintenue ouverte.

RÉGLAGES

ÉTALONNAGE-MODELES 900RX ET MSA

1. Chaque thermostat commande une zone de 305 mm (12 po) de la plaque à frire. Utiliser un dispositif de mesurage de la température adéquat pour observer les températures à des points centraux des zones de cuisson. En partant de 152 mm (6 po) d'un côté ou de l'autre de la plaque et à chaque 305 mm (12 po) à travers la largeur de la plaque, on peut retrouver ces points qui sont tous placés à 305 mm (12 po) derrière le rebord avant de la plaque à frire.
 NOTA : L'usage de thermomètres à infrarouge n'est pas recommandé. Ceux-ci sont très sensibles à la couleur de la surface (propre ou sale), à l'angle de lecture et à la distance de l'appareil.
2. Régler les thermostats à 177 °C (350 °F) et les laisser se stabiliser. Laisser fonctionner le voyant lumineux en le mettant à ON et OFF (marche et arrêt) au moins deux fois.
3. Surveiller le voyant lumineux jusqu'à ce qu'il indique OFF (arrêt), puis mesurer la température pour cette zone. La température devrait être à 177 °C (350 °F) ± 8 °C (15 °F). Si ce n'est pas le cas, suivre l'étape 4 suivante.

4.

- a. Dévisser la vis de pression du bouton de réglage avec soin. NE PAS laisser le bouton tourner. Enlever le bouton de l'arbre du thermostat avec soin pour voir le cadran de sélection de température.
- b. Dévisser les vis du cadran de sélection de température et les régler de façon à ce que la température indiquée par la flèche du bouton soit la même que celle de la plaque à frire. Replacer le bouton sur l'arbre pour vérifier le réglage.

IMPORTANT : NE JAMAIS RÉGLER LA VIS DANS LE CENTRE DE L'ARBRE DU THERMOSTAT. Ceci pourrait détruire l'étalonnage fait à l'usine; le thermostat ne fonctionnera plus correctement et devra être remplacé.

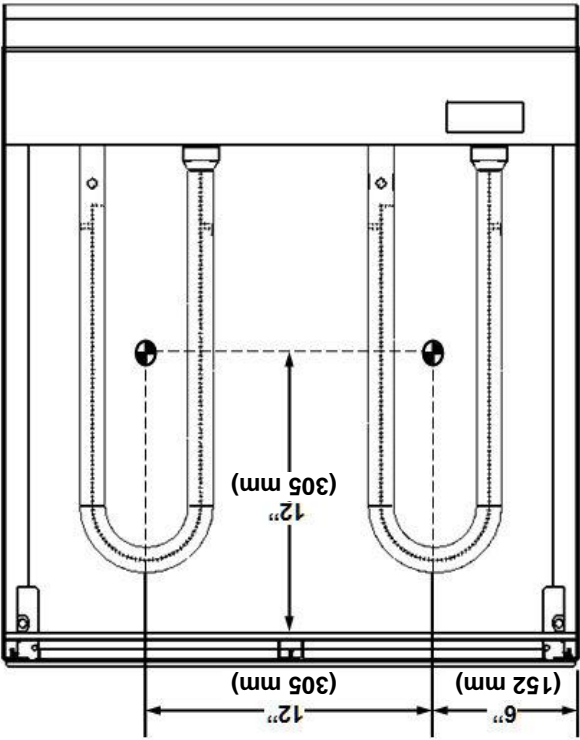
5. Une fois que l'étalonnage est terminé, serrer les vis du cadran de sélection de température et du bouton de réglage.



Étape 4a. Régler le bouton et vérifier la température. Enlever le bouton.

Étape 4b. – Régler le cadran de température et vérifier le réglage de la température

Étape 5 – Replacer le bouton et resserrer les vis



NETTOYAGE DE LA TABLE DE CUISSON D'UN GRILL CHROMÉ EN OPTION

APRÈS CHAQUE UTILISATION

Nettoyer la surface de cuisson du grill souvent, avec une brosse Palmetto et un grattoir, au cours de la période de travail. Ne jamais utiliser un ustensile à récuser abrasif ou une brique à gratter sur une surface en chrome. La surface en chrome peut être endommagée par inadvertnance en utilisant une spatule ou un grattoir.

UNE FOIS PAR JOUR

Nettoyer les surfaces chromées à l'aide d'un chiffon humide, et polir à l'aide d'un chiffon sec et doux.

UNE FOIS PAR SEMAINE

Si la plaque chromée est carbonisée ou noircie, utiliser un nettoyeur non abrasif et sans silicate, notamment le produit Bon Ami®. S'assurer que l'agent nettoyant soit complètement retiré en rinçant à l'eau claire. Nettoyer à l'aide d'un chiffon humide, et polir à l'aide d'un chiffon sec et doux. Après le nettoyage, retraiter la surface de cuisson en fonction des instructions de ce manuel.

NETTOYAGE DE LA TABLE DE CUISSON D'UN GRILL OPTIONNEL DE TYPE RAPID RECOVERY™

La table de cuisson Rapid Recovery™ est constituée d'un matériau composite, fabriqué pour apporter un transfert élevé de la chaleur vers les aliments. La surface est en inox et peut être éraflée, si l'on ne fait pas attention, avec une spatule ou un grattoir.

APRÈS CHAQUE UTILISATION

Nettoyer souvent la surface de cuisson à l'aide d'un Nemco Easy Grill Scraper™, ou grattoir de type similaire pour grill, durant la période de travail.

UNE FOIS PAR JOUR

Eteindre le grill et le laisser refroidir entre 275 et 300°F, mettre de l'eau à la température de la pièce et le nettoyer à l'aide d'un grattoir.

UNE FOIS PAR SEMAINE

Nettoyer à fond la surface du grill à l'eau, avec un système de nettoyage rapide des grills Scotch-Brite™ ou d'un nettoyeur pour grill haute température EcoLab Grease Express™. S'assurer que l'agent nettoyant soit complètement retiré en rinçant à l'eau claire. Après nettoyage, retraiter la surface de cuisson en fonction des instructions de ce manuel.

Si vous utilisez beaucoup le grill, pensez à le nettoyer plus d'une fois par semaine.

Ne pas utiliser une brique ou une pierre à grill pour nettoyer.

Ne pas mettre de désinfectant au chlore sur le grill. Il peut provoquer une décoloration, la corrosion et des dégâts permanents.

Ne pas utiliser d'agents nettoyeurs, notamment de la soude caustique, qui fait partie des nettoyeurs usuels pour fours domestiques.

Nettoyer à fond la surface du grill. Utiliser une brique à gratter, papier de verre ou du Scotch Bright™ sur la surface. Frotter avec le grain du métal pendant que le grill est encore tiède (pas chaud). Un détergent peut être utilisé sur la surface de cuisson pour aider à la nettoyer, mais s'assurer qu'il soit retiré complètement en rinçant à l'eau. Après nettoyage, retirer la surface de cuisson en fonction des instructions de ce manuel. Si vous utilisez beaucoup le grill, pensez à le nettoyer plus d'une fois par semaine.

UNE FOIS PAR SEMAINE

Eteindre le grill et le laisser refroidir entre 275 et 300°F, mettre de l'eau à la température de la pièce, et le nettoyer à l'aide d'un grattoir.

UNE FOIS PAR JOUR

Nettoyer la surface de cuisson souvent, à l'aide d'un grattoir, durant la période de travail.

APRÈS CHAQUE UTILISATION

NETTOYAGE DE LA TABLE DE CUISSON D'UN GRILL EN ACIER STANDARD

Si vous utilisez beaucoup le grill, pensez à le nettoyer plus d'une fois par semaine. Nettoyer les surfaces en inox à l'aide d'un chiffon humide, et polir à l'aide d'un chiffon sec et doux. Pour retirer toute décoloration, utiliser un nettoyeur à grill. Nettoyer toute décoloration, utiliser un nettoyeur à grill. Nettoyer les surfaces en inox à l'aide d'un chiffon humide, et polir à l'aide d'un chiffon sec et doux. Pour retirer toute décoloration, utiliser un nettoyeur à grill.

Nettoyer à fond la surface du grill en fonction des instructions sur la finition de surface, de votre modèle particulier. Après avoir nettoyé la table, le grill devrait être traité en fonction des instructions de ce manuel.

UNE FOIS PAR SEMAINE

Nettoyer à fond toute éclaboussure sur le dossier, à l'avant et sur les côtés du grill. Ne pas heurter le dossier avec une spatule ou tout autre outil. Cela peut créer un espace entre le dossier et la table qui sera difficile à nettoyer. Retirer, vider et laver le tiroir à graisse, comme on le fait avec un ustensile de cuisine ordinaire.

UNE FOIS PAR JOUR

Nettoyer la table de cuisson en fonction du type de surface de votre modèle. Consulter les instructions spécifiques de cuisson par finition de surface. Vider le tiroir à graisse durant la journée lorsque cela est nécessaire.

APRÈS CHAQUE UTILISATION

Pour garder la plaque à frire propre et opérationnelle en période de forte affluence, suivre les directives suivantes :

Nettoyer la plaque à frire régulièrement. Une plaque propre a meilleure apparence, dure plus longtemps et donne de meilleurs résultats. Pour obtenir des résultats de cuisson uniformes et des produits parfaitement dorés, garder la plaque propre et exempte de graisse carbonisée. La graisse carbonisée nuit au transfert de la chaleur de la plaque à la surface des aliments, occasionnant leur brunissement partiel et réduisant la qualité de cuisson. Frire encore, elle a tendance à coller aux aliments et leur donne une apparence peu appétissante qui laisse vraiment à désirer.

Nettoyer la plaque à frire régulièrement. Une plaque propre a meilleure apparence, dure plus longtemps et donne de meilleurs résultats. Pour obtenir des résultats de cuisson uniformes et des produits parfaitement dorés, garder la plaque propre et exempte de graisse carbonisée. La graisse carbonisée nuit au transfert de la chaleur de la plaque à la surface des aliments, occasionnant leur brunissement partiel et réduisant la qualité de cuisson. Frire encore, elle a tendance à coller aux aliments et leur donne une apparence peu appétissante qui laisse vraiment à désirer.

Vider le tiroir de propreté au besoin durant le jour et régulièrement au moins une fois par jour.

NETTOYAGE DE LA PLAQUE À FRIRE

UTILISATION DE LA PLAQUE À FRIRE

Allumer les brûleurs de 20 à 25 minutes avant la cuisson pour le préchauffage de la plaque.

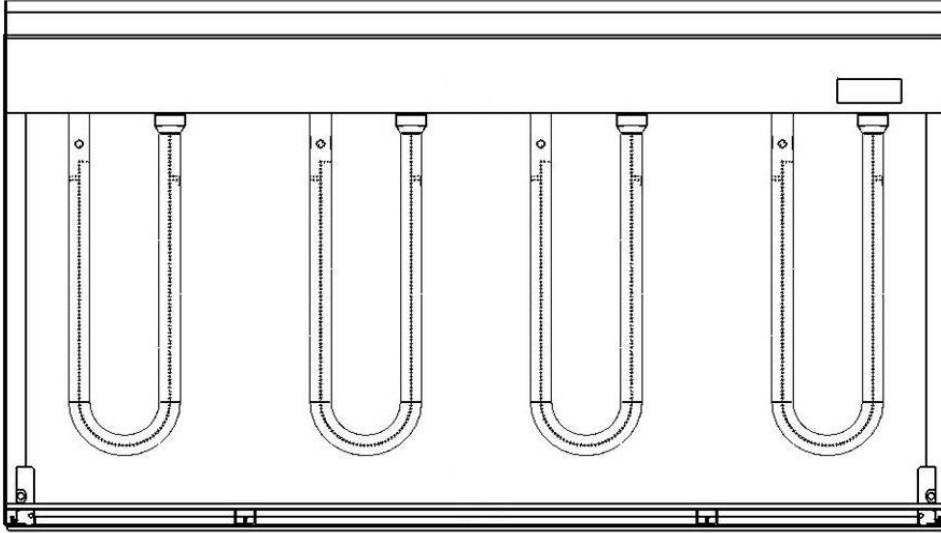
Pour obtenir des résultats des plus constants, il est important de placer les aliments dans la plaque de façon uniforme et systématique.

La plaque à frire est en acier, mais la surface est relativement fragile et peut rayer ou bosseler suite à l'utilisation d'une spatule ou d'un racleur d'une manière négligente. Prendre soin de ne pas la bosseler, l'égratigner ni la rayer. Ne pas y cogner les coins ou les rebords d'une spatule pour tenter de déloger les particules d'aliments qui pourraient s'y trouver.

ZONE DE CUISSON

La plaque a un brûleur tubulaire en forme de U dans les sections de 30 cm, chacun contrôlé par des thermostats indépendants (modèles 900RX, MSA et ASA) ou les soupapes manuelles (modèles AGM). Chaque section de 30 cm est une zone de cuisson séparée et permet la cuisson d'un grand nombre de produits sur une seule plaque. Le graphique ci-dessous démontre un usage suggéré des zones de cuisson.

Dans la zone de cuisson, il est conseillé de commencer par le réglage de la plus basse température de chaque côté de la plaque à frire et d'augmenter la zone de température à mesure qu'on approche de la ligne de cuisson. Se référer au tableau ci-dessous comme exemple. Ce guide de zone de cuisson peut varier selon les températures, la taille et la forme du produit. Vous pouvez régler ce tableau selon vos produits et votre préférence de cuisson.



ZONE 1 149 °C (300 °F)	PRODUIT Saucisses Oeufs frits (durs) Oeufs brouillés Boulettes de viande pour hamburger Bifteck (bien cuit) Bifteck (à point) Potirne de poulet Aliments congelés Côtelettes de porc
ZONE 2 177 °C (350 °F)	PRODUIT Crêpes Pain doré Omelette Pommes de terre rissolées Bacon de dos Oeufs (au miroir) Jambon blanc Bifteck (à point) Boulettes de viande fraîches Petites boulettes de viande congelées pour hamburger (à point)
ZONE 3 177 °C (350 °F)	PRODUIT Bifteck (saignant) Légumes sautés à feu vif Saumon Fricadelles de poisson Homard Langoustines
ZONE 4 204 °C (400 °F)	PRODUIT

PROCÉDURE D'ALLUMAGE DE LA VEILLEUSE – MODÈLES AGM

1. Fermez le robinet d'arrêt principal du gaz. Attendez 5 minutes pour permettre à tout gaz accumulé dans le compartiment des brûleurs de s'échapper.

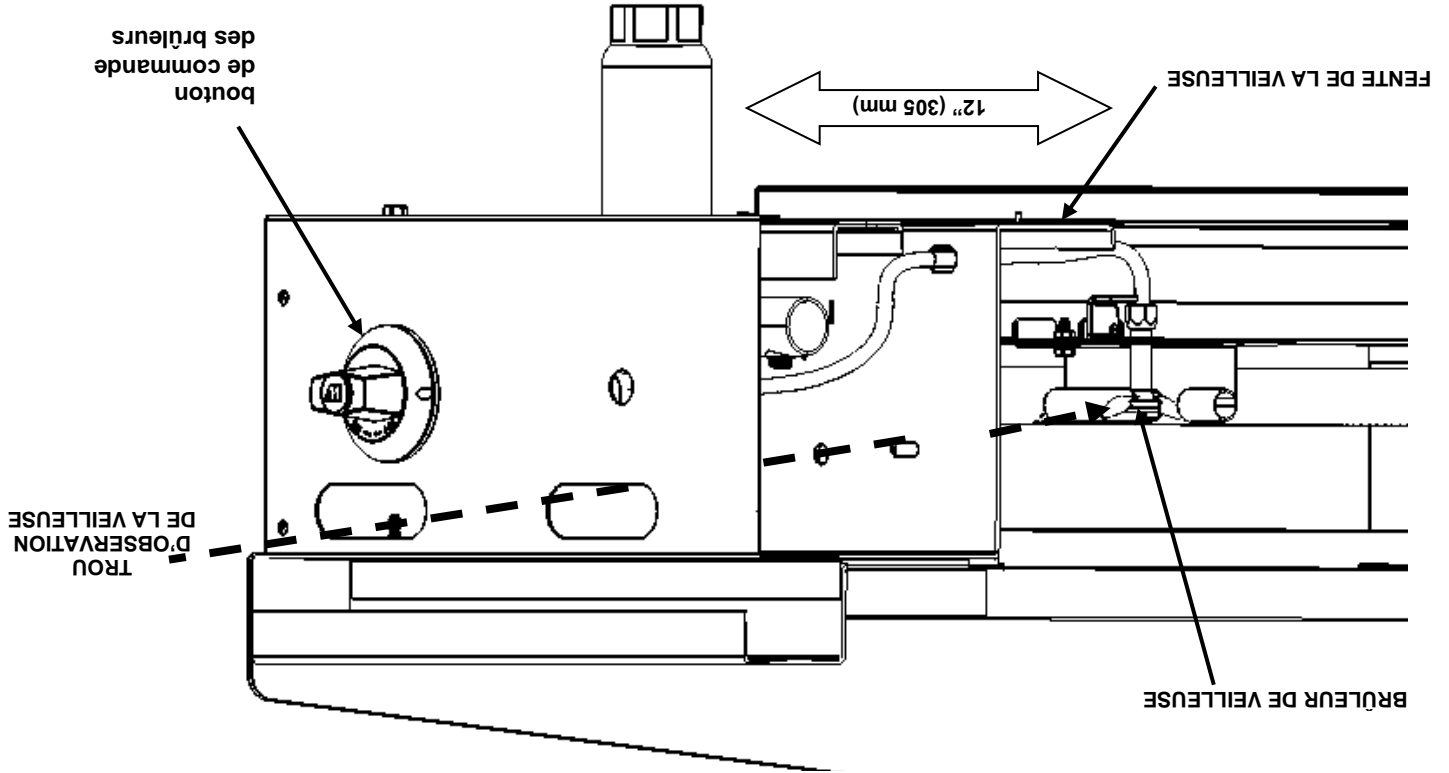
2. Ouvrez le robinet d'arrêt principal du gaz.

3. Tout en surveillant par le trou de regard de la veilleuse, vous devez atteindre le dessous à l'avant de l'appareil et la fente de la veilleuse pour l'allumer à l'aide d'une source d'inflammation extérieure (telle qu'une tige pour allumer les bougies, etc.). Il peut être nécessaire de régler la soupape de la veilleuse pour augmenter le gaz.

4. Répéter les étapes jusqu'à ce que toutes les veilleuses soient allumées.

5. Pour allumer les brûleurs principaux, ouvrez les boutons de commande individuels des brûleurs.

6. Si les brûleurs principaux ne s'allument pas après avoir complété les étapes 1 à 5, fermez le robinet d'arrêt principal du gaz et contactez le service à la clientèle autorisé.



PROCÉDURE D'ALLUMAGE DE LA VEILLEUSE – MODÈLES MSA ET ASA

1. Fermez le robinet d'arrêt principal du gaz. Attendez 5 minutes pour permettre à tout gaz accumulé dans le compartiment des brûleurs de s'échapper.

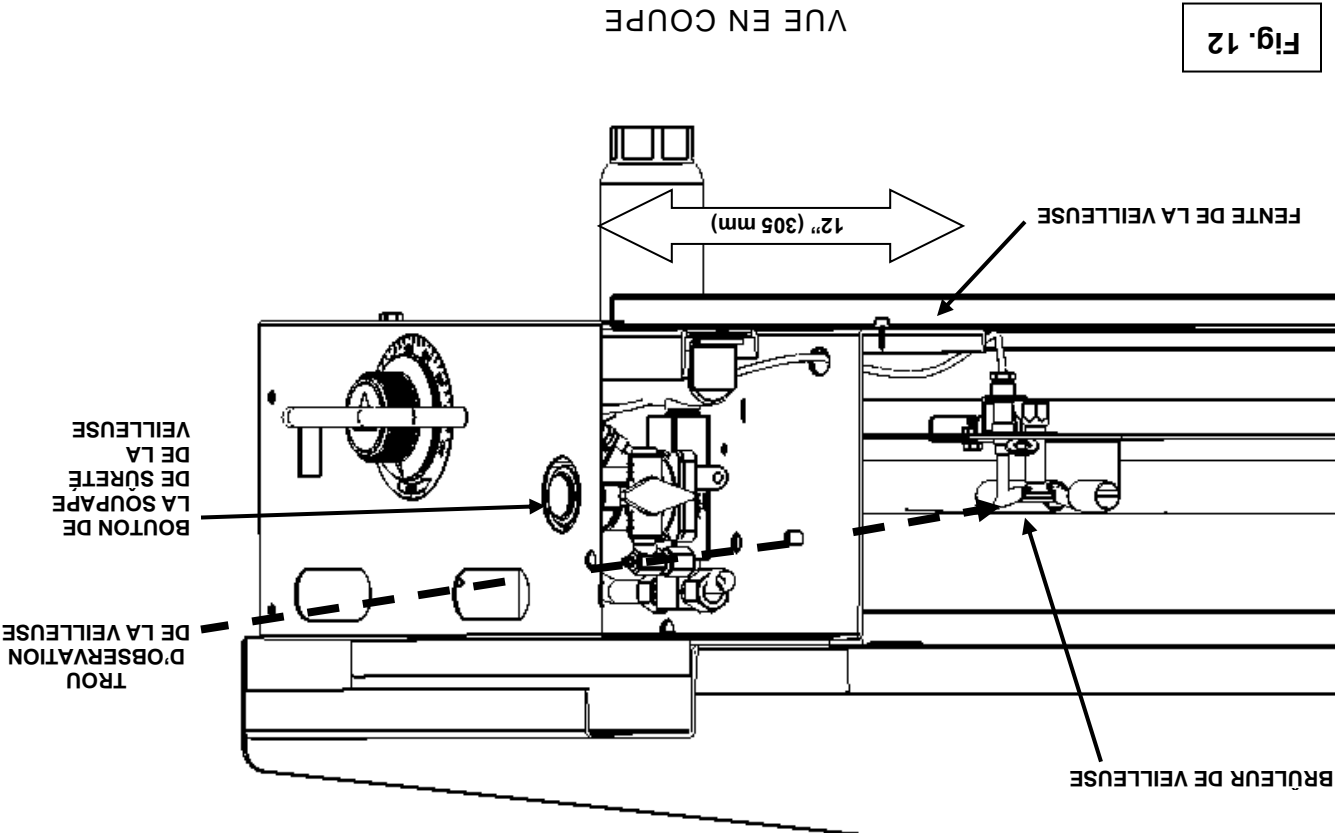
2. Ouvrez le robinet d'arrêt principal du gaz.

3. Tout en surveillant par le trou de regard de la veilleuse, vous devez atteindre le dessous à l'avant de l'appareil et la fente de la veilleuse pour l'allumer à l'aide d'une source d'inflammation extérieure (telle qu'une tige pour allumer les bougies, etc.). Il peut être nécessaire de régler la soupape de la veilleuse pour augmenter le gaz.

4. Lorsque le gaz à la veilleuse brûle pendant environ 45 secondes, relâchez le bouton rouge correspondant sur la soupape de sûreté de la veilleuse. Si la veilleuse ne demeure pas allumée, répétez la procédure en laissant plus de temps avant de relâcher le bouton. La quantité de temps nécessaire pour appuyer le bouton de la soupape de sûreté augmentera à l'installation initiale de l'appareil et si l'alimentation principale en gaz est fermée durant une longue période. Il peut être nécessaire de régler la soupape de la veilleuse pour augmenter le gaz de la veilleuse.

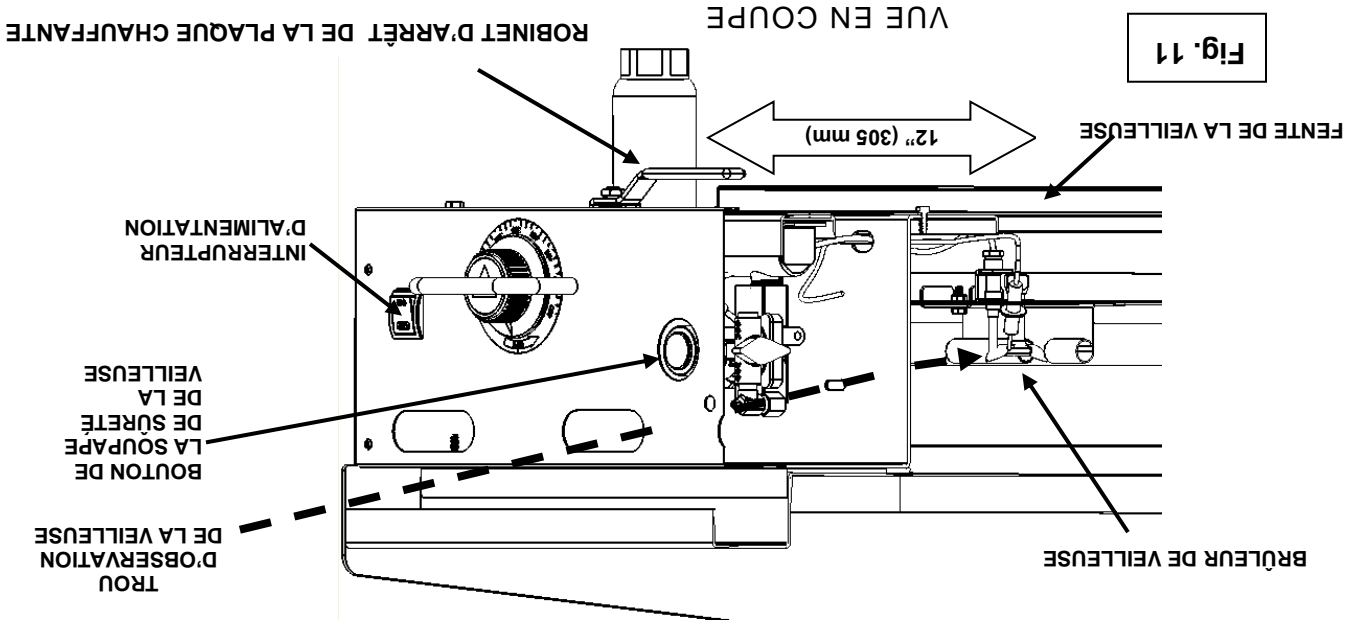
5. Répéter les étapes jusqu'à ce que toutes les veilleuses soient allumées.

6. Si les brûleurs principaux ne s'allument pas après avoir complété les étapes 1 à 5, fermez le robinet d'arrêt principal du gaz et contactez le service à la clientèle autorisé.

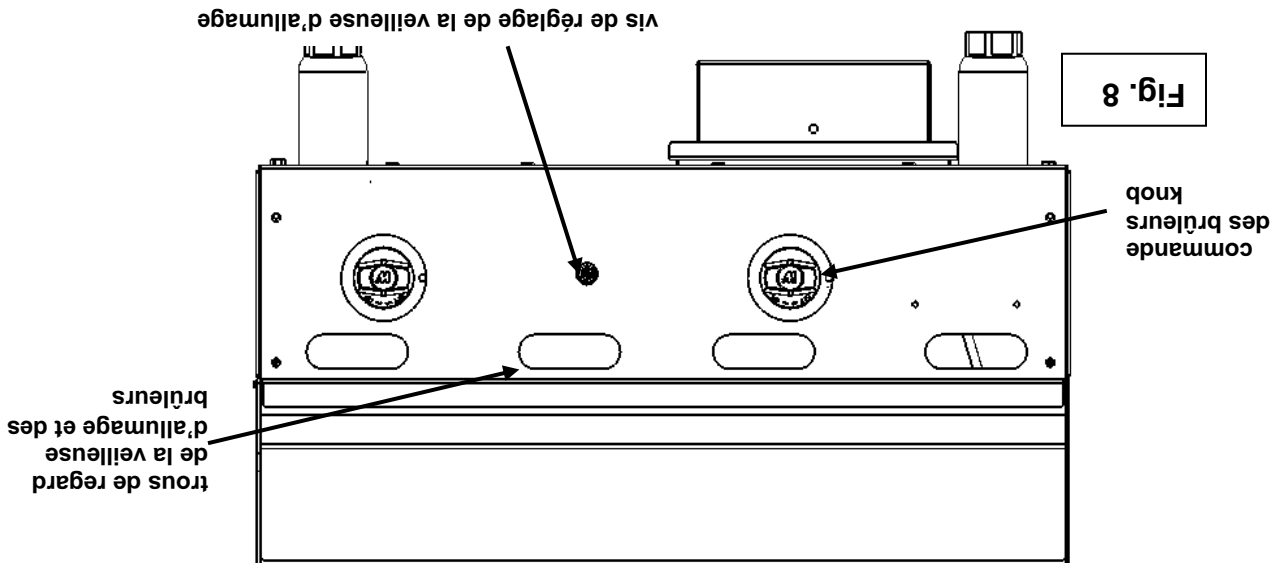


PROCÉDURE D'ALLUMAGE DE LA VEILLEUSE - MODÈLES 900RX

1. Fermez le robinet d'arrêt de la plaque chauffante (Voir Fig. 6 à la page 9). Attendez 5 minutes pour permettre au gaz accumulé dans le compartiment des brûleurs de s'échapper.
2. Ouvrez le robinet d'arrêt de la plaque chauffante (Voir Fig. 5 à la page 9).
3. Poussez et tenez l'interrupteur d'alimentation à la position OUVERT. L'interrupteur s'illuminera et vous entendrez un clic.
4. Tout en continuant de tenir l'interrupteur ouvert, appuyez et tenez le bouton rouge sur la soupape de sûreté de la veilleuse d'allumage alors que les allumeurs électriques allument les veilleuses correspondantes. Vous devrez surveiller les veilleuses des brûleurs par leurs trous de regard. Les veilleuses des brûleurs sont alignées avec les boutons rouges sur les soupapes de sûreté des veilleuses. Les veilleuses d'allumage sont situées à 30 cm du devant de l'appareil.

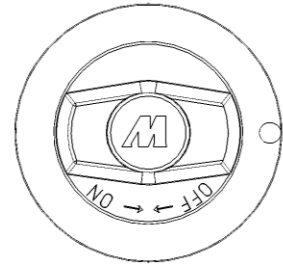


5. Assurez-vous que les veilleuses des brûleurs s'allument. Lorsque le gaz à la veilleuse brûle pendant environ 45 secondes, relâchez le bouton rouge correspondant sur la soupape de sûreté de la veilleuse. Si la veilleuse ne demeure pas allumée, répétez la procédure en laissant plus de temps avant de relâcher le bouton. La quantité de temps nécessaire pour appuyer le bouton de la soupape de sûreté augmentera à l'installation initiale de l'appareil et si l'alimentation principale en gaz est fermée durant une longue période. Il peut être nécessaire de régler la soupape de la veilleuse pour augmenter le gaz de la veilleuse.
6. Répéter les étapes jusqu'à ce que toutes les veilleuses soient allumées.
7. Les veilleuses des brûleurs peuvent être allumées manuellement en cas de défaillance du système d'allumage électronique. Si cela arrive, répétez les étapes 1 à 5 sans tenir l'interrupteur d'alimentation à la position OUVERT. Vous devrez atteindre le dessous du devant de l'appareil et par la fente de la veilleuse pour allumer les veilleuses à l'aide d'une source d'inflammation extérieure (telle qu'une tige pour allumer les bougies, etc.) tout en relâchant à nouveau le bouton rouge correspondant.
8. Si vous avez complété les étapes 1 à 7 et que la veilleuse n'est pas allumée, fermez le robinet d'arrêt de la plaque chauffante (Voir Fig. 6 à la page 9) et contactez une agence de service autorisée.

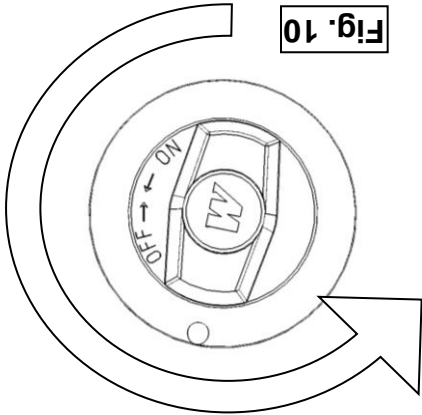


L'appareil est muni de veilleuses d'allumage permanentes non contrôlées. Le gaz circulera à partir des veilleuses dès que l'alimentation principale en gaz de l'appareil est ouverte. Les veilleuses sont allumées à l'aide d'une source d'inflammation extérieure (telle qu'une tige pour allumer les bougies, etc.). Il y a une veilleuse d'allumage pour deux brûleurs, excepté sur les modèles de 91 cm et de 152 cm. Les modèles de 91 cm et de 152 cm ont un nombre inhabituel de brûleurs principaux, par conséquent, un des ensembles de veilleuses d'allumage de ces modèles contrôle seulement un brûleur principal. Les veilleuses d'allumage sont situées à 30 cm du panneau avant. Voir la procédure d'allumage de la veilleuse.

Chaque section de 30 cm de la plaque chauffante est contrôlée indépendamment par une soupape de réglage infini de la chaleur. Une fois que les veilleuses sont allumées, tourner le bouton de commande à la position OUVERT allumera chaque brûleur. Les brûleurs se trouvent complètement à la position OUVERT lorsque les boutons sont tournés jusqu'au bout vers la gauche (Fig. 10). Les brûleurs se trouvent complètement à la position FERMÉ lorsque les boutons sont tournés jusqu'au bout vers la droite (Fig. 9). On peut régler la hauteur de la flamme des brûleurs et la température de la plaque de cuisson en tournant les boutons de commande des brûleurs tout en les surveillant par leurs trous de regard.



Bouton de commande du brûleur à la position FERMÉ. Tournés jusqu'au bout vers la droite.



Bouton de commande du brûleur à la position complètement OUVERT. Tournés jusqu'au bout vers la gauche – à 225 degrés de la position FERMÉ.

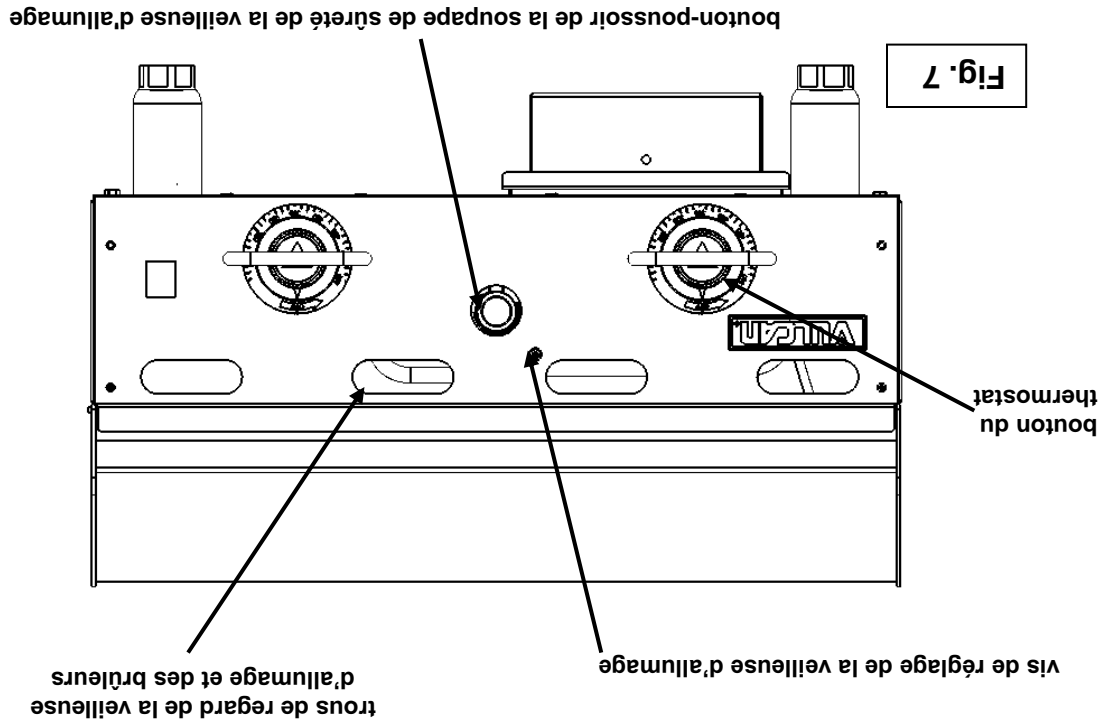


Fig. 7

Ce modèle comporte une veilleuse permanente qui doit être allumée manuellement à l'aide d'une source d'inflammation extérieure (telle qu'une tige pour allumer les bougies, etc.). La veilleuse est contrôlée par un thermocouple et par une soupape de sûreté. Si la veilleuse s'éteint, la soupape de sûreté ferme l'alimentation en gaz de la veilleuse des principaux brûleurs. Il y a une veilleuse d'allumage et une soupape de sûreté pour deux principaux brûleurs, excepté sur les modèles de 91 cm et de 152 cm. Les modèles de 91 cm et de 152 cm ont un nombre inhabituel de brûleurs principaux, par conséquent, un des ensembles de veilleuses d'allumage et de soupape de sûreté de ces modèles contrôle seulement un brûleur principal. Les veilleuses des brûleurs sont alignées avec les boutons-poussoirs des soupapes de sûreté. Les veilleuses d'allumage sont situées à 30 cm du panneau avant. Voir la procédure d'allumage de la veilleuse.

Chaque section de 305 mm (12 po) de la plaque à frire est contrôlée de façon indépendante par une vanne thermostatique à dé clic. Les thermostats possèdent une plage de fonctionnement de 93 à 288 degrés °C (200 à 550 °F). Une fois que les veilleuses sont allumées, tout ce qu'il est requis de faire pour faire fonctionner l'appareil, c'est de tourner les thermostats au réglage désiré.

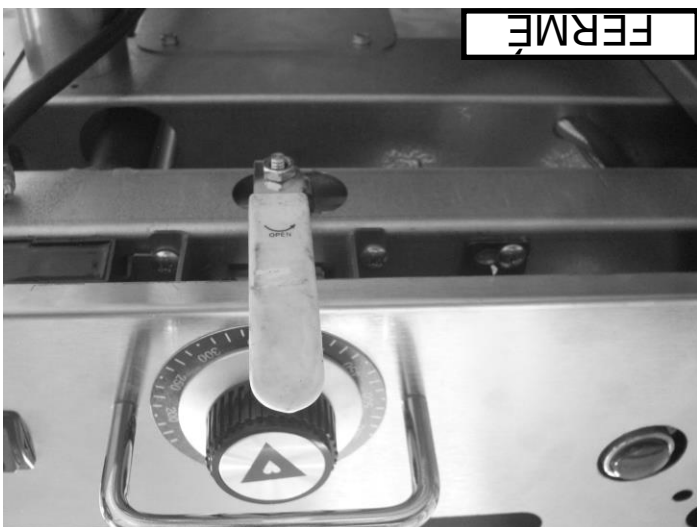


Fig. 6



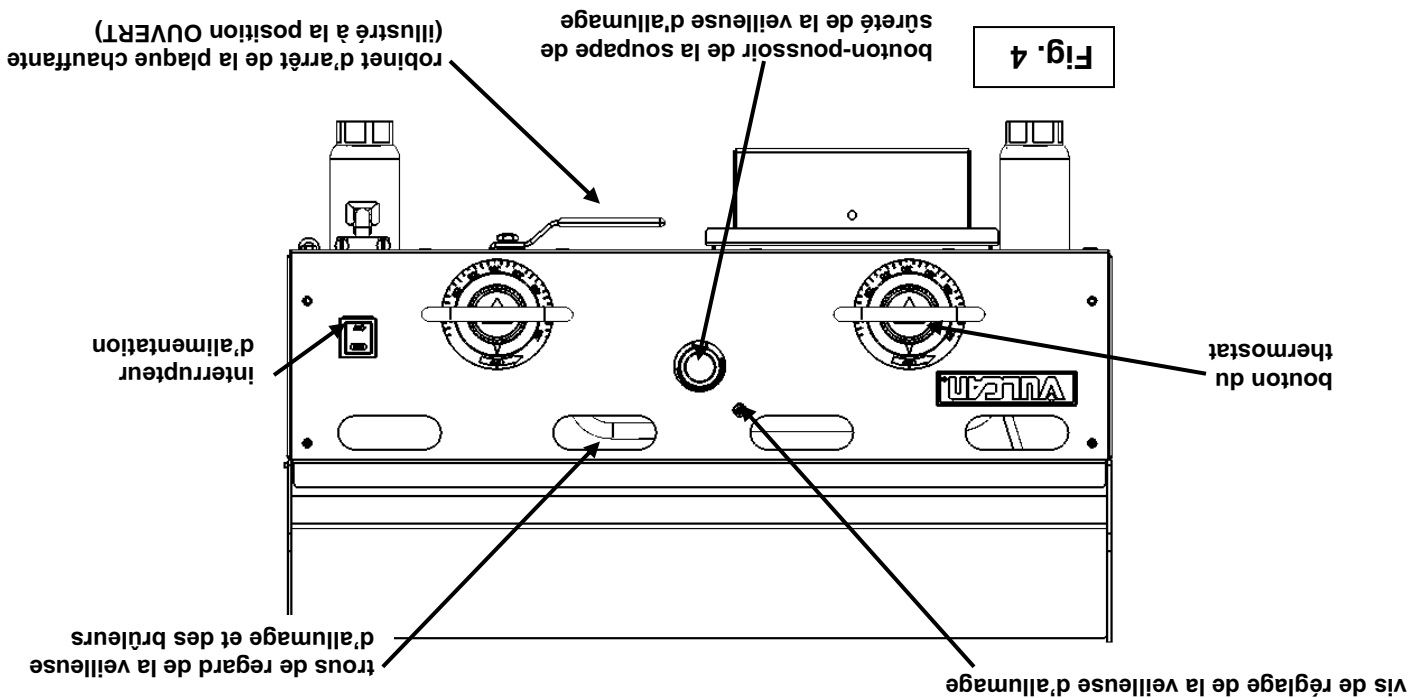
Fig. 5

Ce modèle comporte un système d'allumage électrique qui est contrôlé par un interrupteur d'alimentation à rappel. L'interrupteur d'alimentation ouvre et ferme seulement le système d'allumage électrique et fournit seulement l'alimentation aux allumeurs lorsqu'il est maintenu ouvert. Les brûleurs et les veilleuses d'allumage continueront à fonctionner lorsque l'interrupteur d'alimentation est fermé jusqu'à ce que l'alimentation en gaz à l'appareil soit coupée ou que le robinet d'arrêt du gaz de la plaque chauffante soit fermé (Fig. 6). En cas de défaillance du système d'allumage électronique, il est possible d'allumer les veilleuses à l'aide d'une source d'inflammation extérieure (telle qu'une tige pour allumer les bougies, etc.). Voir la procédure d'allumage de la veilleuse.

Il y a une veilleuse et une soupape de sûreté pour chaque deux brûleurs excepté pour les modèles de 914 et 1 524 mm (36 et 60 po). Les brûleurs principaux sont en chiffres impairs pour les modèles de 914 et 1 524 mm (36 et 60 po), cependant un des ensembles de veilleuses et de soupapes de sûreté sur ces modèles commandera seulement un brûleur principal. Les brûleurs de veilleuse sont alignés avec les boutons-poussoirs de bague de la soupape de sûreté et les trous d'observation de la veilleuse. Les brûleurs de la veilleuse sont insérés à 305 mm (12 po) du panneau avant

Chaque section de 305 mm (12 po) de la plaque à frire est contrôlée de façon indépendante par une vanne thermostatique à dé clic. Les thermostats possèdent une plage de fonctionnement de 93 à 288 degrés °C (200 à 550 °F). Une fois que les veilleuses sont allumées, tout ce qu'il est requis de faire pour faire fonctionner l'appareil, c'est de tourner les thermostats au réglage désiré.

Chaque section de 30 cm de la plaque chauffante peut être fermée de façon indépendante en réglant le thermostat correspondant à la position FERME. Vous pouvez aussi laisser tous les thermostats réglés aux positions désirées et fermer toutes les sections à la fois en fermant le robinet d'arrêt de la plaque chauffante (Fig. 6). Cela fermera l'alimentation en gaz des veilleuses et des thermostats pour toutes les sections. Pour remettre l'appareil en fonction, il faut ouvrir le robinet d'arrêt de la plaque chauffante (Fig. 5) et rallumer les veilleuses au début de la prochaine période de cuisson. Voir la procédure d'allumage de la veilleuse.



COMMANDES – MODÈLES 900RX

Avant une première utilisation et après chaque nettoyage, apprêter la plaque à frire pour éviter la corrosion possible sur la surface. Chauffer la plaque à frire à basse température, soit 149 à 177 °C (300 à 350 °F) et y verser une légère quantité d'huile de cuisson (environ 28 g par mètre carré [une once par pied carré]). À l'aide d'un chiffon doux, non pelucheux, l'étendre sur toute la surface de la plaque de manière à obtenir un mince film, puis essuyer le surplus d'huile avec un chiffon. Répéter le processus jusqu'à ce que la surface de la plaque soit lisse et brille comme un miroir.

APPRÊTAGE DE LA PLAQUE À FRIRE

Retirez tout le matériel d'emballage et la protection en plastique des surfaces de l'appareil. Avant de quitter l'usine, la plaque à frire a été recouverte d'une huile végétale pour prévenir la rouille. N'enlever cette substance qu'au moment de la nettoyer avant une première utilisation. Chauffer la plaque à frire à une température de 93 à 149 °C (200 à 300 °F) pour dissoudre la graisse et nettoyer la surface à l'aide d'un produit de dégraissage commercial résistant à la corrosion en suivant les directives du fabricant. Raclez le résidu d'huile de la plaque à l'aide d'un couteau palette triangle. Rincer à fond et essuyer à l'aide d'un chiffon doux sec. Nettoyer tous les accessoires.

AVANT UNE PREMIÈRE UTILISATION

AVERTISSEMENT La plaque à frire et ses composants sont chauds. Exercer une extrême prudence lors de l'exploitation, du nettoyage et de l'entretien de cet appareil.

FONCTIONNEMENT

▲ AVERTISSEMENT Avant de procéder à l'allumage, faire circuler de l'eau savonneuse dans tous les joints de la conduite de gaz pour s'assurer qu'ils ne présentent aucune fuite. Ne pas se servir d'une flamme nue.

Après avoir enrayé toute possibilité de fuite, purger la conduite de gaz pour évacuer tout l'air qu'elle contient.

ESSAIS DE LA CANALISATION DE GAZ

Si la pression de la canalisation de gaz est supérieure à 3,45 kPa (1/2 psig) lors d'essais de pression, débrancher la plaque à frire et son robinet d'arrêt de la conduite de gaz.

Lorsque la pression est égale ou inférieure à 3,45 kPa (1/2 psig), isoler l'appareil de la canalisation de gaz en fermant le robinet manuel.

PRESSION DU GAZ ET INSTALLATION D'UN RÉGULATEUR

Il faut installer le régulateur de pression du gaz fourni avec la plaque chauffante installer le régulateur aussi près que possible de la plaque à frire, sur la conduite de gaz. S'assurer que la flèche sur la face intérieure du régulateur pointe vers le débit de gaz allant à la plaque à frire (Fig.2) et que le régulateur est positionné de façon à ce que le bouchon d'aération et la vis de réglage soient dirigés vers le haut droit (Fig. 3). Après avoir installé le régulateur, vérifiez et réglez la pression du gaz. La pression doit être réglée à 10 cm colonne d'eau (CE) pour le gaz naturel et 25 cm colonne d'eau (CE) pour le gaz propane, au moment où tous les brûleurs sont allumés. On recommande qu'un technicien qualifié du service de gaz ayant les outils, les instruments et les compétences nécessaires effectue l'installation de la plaque chauffante et du régulateur de pression du gaz.

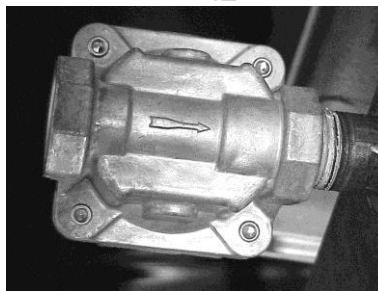


Fig. 2

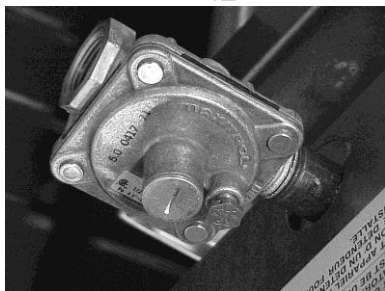


Fig. 3

La pression d'alimentation (en amont du régulateur) devrait être de 1,74 à 2,24 kPa (7 à 9 po de colonne d'eau) pour le gaz naturel et de 2,74 à 2,99 kPa (11 à 12 po de colonne d'eau) pour le gaz propane. Ne jamais raccorder la plaque à frire à une pression d'alimentation de plus de 3,45 kPa (1/2 psig) ou 3,45 kPa (14 po de colonne d'eau).

RACCORDEMENT ELECTRIQUE – MODELES 900RX

▲ AVERTISSEMENT Le raccordement électrique et la mise à la terre doivent être conformes aux normes concernées du code canadien de l'électricité ou de tout autre code d'électricité en vigueur.

▲ AVERTISSEMENT Couper l'alimentation électrique de l'appareil et suivre les procédures de verrouillage et d'étiquetage.

▲ AVERTISSEMENT Le cordon d'alimentation est pourvu d'une fiche de mise à la terre à trois broches. La prise dans laquelle elle est branchée doit être correctement mise à la terre. Si elle ne l'est pas, communiquer avec un électricien. Ne pas enlever la broche de mise à la terre de la fiche. L'alimentation électrique pour l'allumage électrique est de 120 V, 50-60 Hz, monophasée, 1 A.

Ne pas raccorder la plaque à frire à l'alimentation électrique avant que le raccordement du gaz ne soit fait.

AVIS : Tous les raccords d'alimentation de la conduite de gaz et la pâte à joints de tuyaux doivent résister à l'action du gaz propane.

Pour l'entrée de la plaque à frire, utiliser une conduite d'alimentation en gaz de 19 mm (3/4 po) NPT qui se trouve à l'arrière de l'appareil. Tous les raccords de type flexible et semi-rigide doivent être conformes aux normes ANSI en vigueur. Pour s'assurer d'une efficacité d'exploitation maximale, raccorder cet appareil avec une conduite d'alimentation en gaz fabriquée à l'aide d'un tuyau solide ou d'un raccord souple de type commercial dont le diamètre intérieur net est aussi grand ou plus grand que l'entrée de canalisation de gaz de cet appareil. Conformément aux exigences des codes, installer un robinet d'arrêt dans la conduite de gaz, en amont de l'appareil.

BRANCHEMENT DU GAZ

SUPPORTS

La plaque à frire est munie d'un support avec roulettes en inox de 635 mm (25 po) de hauteur par 762 mm (30 po) de profondeur par 610, 914, 1 219, 1 524 ou 1 829 mm (24, 36, 48, 60 ou 72 po) de largeur en option. Les deux roulettes avant sont verrouillables. Le support inclut une tablette supérieure à rebord marin de type lèvre et une tablette inférieure.

Maintenir un dégagement minimal de 457 mm (18 po) entre le conduit d'évacuation de l'appareil et les filtres de la hotte.

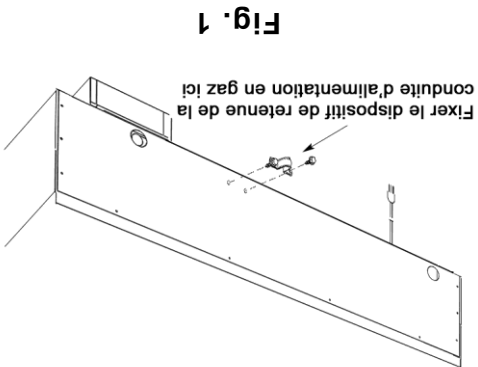
Ne pas obstruer le débit des gaz brûlés du conduit d'évacuation à l'arrière de l'appareil. On recommande l'évacuation des gaz brûlés à l'extérieur de l'immeuble au moyen d'une hotte de ventilation installée par un personnel qualifié.

SYSTEME D'ÉVACUATION

Les roulettes sont fournies seulement sur le support de la plaque à frire. Si l'appareil est installé sur des roulettes et doit être déplacé pour une raison ou une autre, il est conseillé de le niveler à nouveau (se référer à la section NIVELAGE de ce manuel).

Si le débranchement du dispositif de retenue est nécessaire, éteindre l'alimentation en gaz avant le débranchement. Rattacher le dispositif de retenue avant de rétablir l'alimentation en gaz et de remettre l'appareil à la position d'installation.

AVIS Si la plaque à frire doit être installée sur des roulettes, se munir d'un connecteur flexible (non fourni) conforme aux normes ANSI-Z21.69 ou CSA 6.16 sur les connecteurs des appareils au gaz mobiles, et d'un raccord à débranchement rapide conforme aux normes ANSI-Z21.3 ou CSA 6.9 sur les dispositifs à débranchement rapide d'appareils au gaz. En plus, prendre les moyens nécessaires pour limiter le mouvement de l'appareil sans devoir compter sur le connecteur ou le raccord à débranchement rapide, (ni même sur la tuyauterie) pour le garder immobile. Fixer le dispositif de retenue à l'arrière de la plaque à frire, tel qu'illustré à la Fig. 1).



PLAQUE À FRIRE MONTÉE SUR UN SUPPORT MUNI DE ROULETTES

EMPLACEMENT

Aucune substance combustible ne doit se trouver à proximité de cet appareil. Lors de l'installation, ne jamais enlever la partie inférieure de l'appareil dans un mur et élevé ou autre construction qui pourrait obstruer le débit d'air à l'intérieur et à l'extérieur de la plaque à frire. Prévoir un dégagement suffisant pour l'ouverture d'approvisionnement d'air dans la chambre de combustion. S'assurer qu'il y a un débit d'air suffisant dans la chambre pour remplacer l'air évacué par le système de ventilation.

Veiller à ce que les ventilateurs ne soufflent pas directement sur la plaque à frire et, dans la mesure du possible, ne pas ouvrir les fenêtres à proximité de l'appareil ni utiliser des ventilateurs muraux qui produisent des courants d'air.

Cette plaque à frire a été conçue en fonction d'une installation sur un comptoir incombustible muni de pattes de 102 mm (4 po) ou sur un plancher combustible muni d'un support de 635 mm (25 po) de hauteur.

DÉGAGEMENT REQUIS POUR L'INSTALLATION

	Arrière :	152 mm (6 po)	Aucun
	Côté droit :	152 mm (6 po)	Aucun
	Côté gauche :	152 mm (6 po)	Aucun
CONSTRUCTION COMBUSTIBLE			CONSTRUCTION INCOMBUSTIBLE

CODES D'INSTALLATION ET NORMES

Installer la plaque à frire selon les codes suivants :

Aux États-Unis :

1. Codes locaux.

2. Norme ANSI/Z223.1/NFPA N° 54 (dernière édition) du National Fuel Gas Code. Ceci devra inclure mais ne pas se limiter à la norme NFPA N° 54 pour la ventilation, section 10.3.5.2, dont on peut se procurer un exemplaire auprès de l'American Gas Association Accredited Standards Committee Z223, 400 N. Capital St. NW, Washington, DC 20001, ou the Secretary Standards Council, NFPA, 1 Batterymarch Park, Quincy, MA 02169-7471.

NOTA : Dans l'État du Massachusetts

Tous les appareils au gaz ventilés par une hotte de ventilation ou un système d'évacuation muni d'un registre ou de moyens d'évacuation à puissance doivent être conformes à la réglementation 248 CMR.

3. Norme NFPA N° 96 pour l'évacuation de la fumée des appareils de cuisson (dernière édition) dont on peut se procurer un exemplaire auprès de la National Fire Protection Association, Batterymarch Park, Quincy, MA 02269.

Au Canada :

1. Codes locaux.

2. Norme CAN/CSA B149.1 du Code d'installation des appareils fonctionnant au gaz naturel (dernière édition).

3. Norme CAN/CSA-B149.2 du Code d'installation des appareils fonctionnant au gaz propane (dernière édition) dont on peut se procurer un exemplaire auprès de l'Association canadienne du gaz, 178 Rexdale Blvd, Etobicoke, Ontario, Canada M9W 1R3.

INSTALLATION, FONCTIONNEMENT ET ENTRETIEN PLAQUES À FRIRE AU GAZ À SERVICE INTENSE

GÉNÉRALITÉS

Les plaques à frire au gaz à service intense sont fabriquées avec le plus grand soin et à partir des meilleurs matériaux. Leur installation, utilisation et entretien appropriés permettent d'en obtenir un rendement optimal pendant de nombreuses années.

Il est recommandé de lire le manuel au complet et de suivre attentivement toutes les instructions.

Model	Number of Burners	BTU/hr Input Rating
924RX/MSA24/ASA24/AGM24	2	54,000
936RX/MSA36/ASA36/AGM36	3	81,000
948RX/MSA48/ASA48/AGM48	4	108,000
960RX/MSA60/ASA60/AGM60	5	135,000
972RX/MSA72/ASA72/AGM72	6	162,000

INSTALLATION

Avant d'installer cet appareil, s'assurer que l'alimentation électrique et le type de gaz (naturel ou propane) de l'immeuble correspondent aux spécifications de la plaque signalétique placée à l'intérieur du panneau avant. S'ils ne correspondent pas, ne pas installer l'appareil et communiquer sans tarder avec votre détaillant. On recommande qu'un technicien qualifié du service de gaz ayant les outils, les instruments et les compétences nécessaires effectue l'installation de la plaque chauffante.

DÉBALLAGE

Ce grill a été inspecté avant de quitter l'usine. En acceptant sa livraison, le transporteur prend l'entière responsabilité de le livrer en toute sécurité. Immédiatement après la livraison, vérifiez s'il a effectivement subi des dommages pendant le transport.

S'il s'avère que le grill a été endommagé, veuillez suivre les procédures suivantes :

1. Le transporteur doit être averti dans les 5 jours ouvrables suivant la réception.
2. Les gens du terminus local du transporteur doivent être avisés immédiatement lors de la découverte des dommages (indiquez l'heure, la date et à qui vous avez parlé) et assurez le suivi en confirmant les faits par écrit ou par communication électronique.
3. Pour fins d'inspection, tout le matériel d'emballage original doit être conservé.
4. Le grill ne doit pas avoir été déplacé, installé ou modifié.
5. Avisez le Service à la clientèle de Vulcan immédiatement en faisant le (800) 814-2028.

Déballer l'appareil avec soin. S'assurer qu'aucune pièce n'est jetée avec le matériel d'emballage. Un régulateur de pression conçu pour fonctionner avec cette plaque à frire est fourni et doit être installé avant que la plaque à frire ne soit en état de fonctionner. (Se référer à la section PRESSION DU GAZ ET INSTALLATION D'UN RÉGULATEUR de ce manuel.).

TABLE DES MATIÈRES

4	GÉNÉRAL
4	Caractéristiques
4	INSTALLATION
4	Déballage
4	Emplacement
4	Codes et normes d'installation
5	Plaque chauffante montée sur supports avec roulettes
6	Connexions des conduits
6	Supports
6	Connexions du gaz
6	Évaluation du système d'alimentation en gaz
7	Installation du régulateur de pression du gaz
7	Connexion électrique – Modèles 900RX
8	EMPLOI
8	Avant la première utilisation
8	Rodage de la plaque chauffante
8	Commandes – Modèles 900RX
10	Commandes – Modèles MSA et ASA
11	Commandes – Modèles AGM
12	Procédure d'allumage de la veilleuse – Modèles 900RX
13	Procédure d'allumage de la veilleuse – Modèles MSA et ASA
14	Procédure d'allumage de la veilleuse – Modèles AGM
15	Utilisation de la plaque chauffante
16	Nettoyage de la plaque chauffante
18	RÉGLAGES
18	Calibrage – Modèles 900RX et MSA
19	Mise à niveau
19	Réglage de la veilleuse
20	FERMETURE DE LA PLAQUE CHAUFFANTE AVEC SYSTÈME D'ALLUMAGE ÉLECTRIQUE
20	MODÈLES 900RX
20	FERMETURE DE LA PLAQUE CHAUFFANTE – MODÈLES MSA ET ASA
20	FERMETURE DE LA PLAQUE CHAUFFANTE AVEC SYSTÈME DE VEILLEUSES
20	PERMANENTES – MODÈLES AGM
20	FERMETURE PROLONGÉE
21	ENTRETIEN
21	Lubrification
21	Ventilation
21	Renseignements sur l'entretien et les pièces
22	DÉPANNAGE
23	INSTALLATION DE COMPLICE

EN CAS DE PANNE DE COURANT, NE PAS
FAIRE FONCTIONNER CET APPAREIL.

L'installation, le réglage, la modification et l'entretien
incorrects de cet appareil peuvent causer des dommages
matériels, des blessures et même la mort. Lire les
instructions d'installation, de fonctionnement et d'entretien
avant de procéder à toute installation ou tout entretien.

▲ AVERTISSEMENT

NE PAS RANGER NI UTILISER DE L'ESSENCE NI TOUT
AUTRE LIQUIDE OU VAPEUR INFLAMMABLE À PROXIMITÉ
DE CET APPAREIL OU DE TOUT AUTRE APPAREIL.

MESURE DE SÉCURITÉ

EN CAS D'ODEURS DE GAZ, ÉTEINDRE L'APPAREIL PAR
LE ROBINET D'ARRÊT PRINCIPAL ET COMMUNIQUER AVEC
LA COMPAGNIE DE GAZ LA PLUS PRÈS OU AVEC LE
FOURNISSEUR DE GAZ ATTIRÉ POUR L'ENTRETIEN.

IMPORTANT

CE MANUEL A ÉTÉ PRÉPARÉ À L'INTENTION D'UN PERSONNEL QUALIFIÉ ET
AUTORISÉ À INSTALLER DES APPAREILS FONCTIONNANT AU GAZ ET À
EFFECTUER LE DÉMARRAGE INITIAL CHEZ LE CLIENT DE MÊME QUE LE
RÉGLAGE DES APPAREILS CONCERNÉS DANS CE MANUEL.
AFFICHER À UN ENDROIT VISIBLE LES PREMIERS SOINS À ADMINISTRER À TOUTE
PERSONNE AYANT RESPIRÉ LES GAZ QUE CET APPAREIL DÉGAGE. ON PEUT SE
PROCURER CES INFORMATIONS CHEZ LE FOURNISSEUR DE GAZ LE PLUS PRÈS.

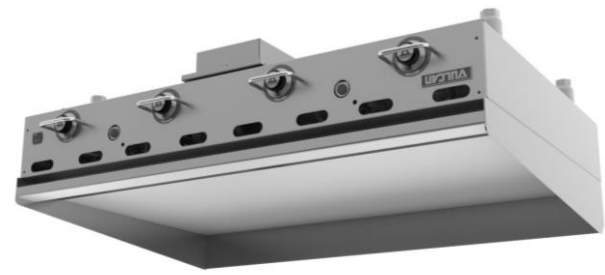
MESURES DE SÉCURITÉ IMPORTANTES

MANUEL D'INSTALLATION ET D'EMPLOI PLAQUES CHAUFFANTES À FONCTION ÉLEVÉE



MODELS

- 924RX
- 936RX
- 948RX
- 960RX
- 972RX



948RX

- MSA24
- MSA36
- MSA48
- MSA60
- MSA72
- ASA24
- ASA36
- ASA48
- ASA60
- ASA72



MSA48

- AGM24
- AGM36
- AGM48
- AGM60
- AGM72



AGM48

Pour obtenir des renseignements supplémentaires au sujet de Vulcan-Hart ou pour trouver un fournisseur de pièces et service autorisé dans votre région, veuillez visiter notre site web à www.vulcanequipment.com