

CATALOG OF REPLACEMENT PARTS STOCK POT RANGES

ITW Food Equipment Group

VULCAN

WWW.VULCANHART.COM

VSP SERIES

MODEL

VSP100	ML-052822
VSP200	ML-052823
VSP300	ML-052824



WWW.WOLFRANGE.COM

WSPR SERIES

MODEL

WSPR1	ML-760600
WSPR2	ML-760601
WSPR3	ML-760602

TECHNICAL SERVICE AND PARTS ASSISTANCE
1-800-814-2028

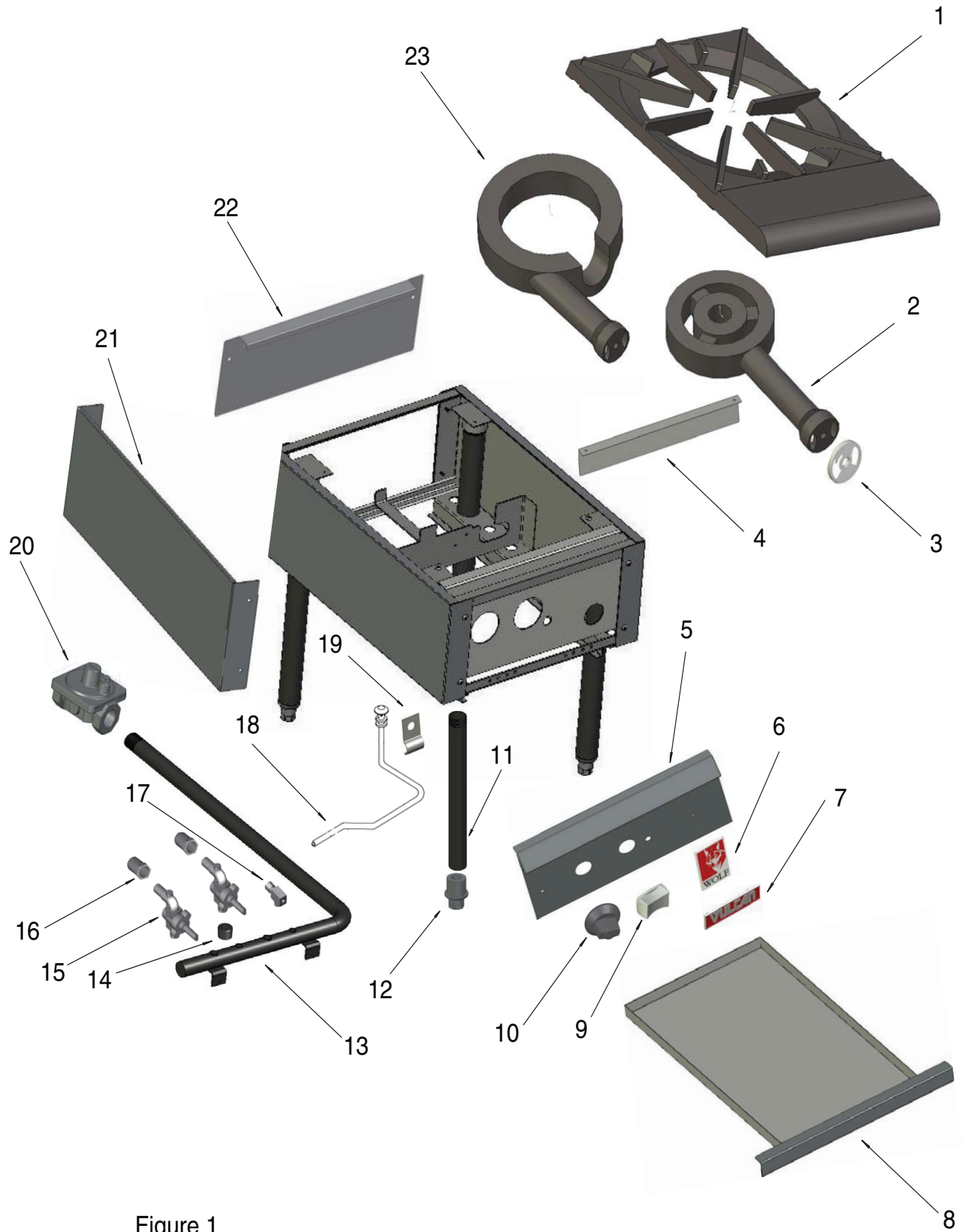


Figure 1

STOCK POT RANGE
WSPR1, WSPR2, VSP100, VSP200

ILLUS. Figure 1	PART NO.	NAME OF PART	AMT.
1	00-715183	Grate – Burner Assy.	1
2	00-760631-0000A	Burner – Inner	1
3	00-715189	Air Shutter	1
4	00-760851	Baffle – Burner	1
5	00-760625	Panel – Front	1
6	00-719401	Wolf Nameplate	1
7	00-417700-00003	Vulcan Nameplate	1
8	00-760627-0000A	Drip Pan Weld Assy.	1
9	00-413157-00001	Knob – Valve (Metal) (Vulcan)	2
10	00-719259-00012	Knob – Valve (Red) (Wolf)	2
11	00-719280-00PNT	Leg – Black Pipe 1 1/4 Dia.	4
12	00-719285	Insert – Foot	4
13	00-715188	Manifold Pipe W/A	1
14	00-719363	Countersink Plug 1/8 NPT	1
15	00-710121	Burner Valve – Manual	1
16	00-719198-00044	Burner Orifice (Propane)	2
	00-719198-00029	Burner Orifice (Natural)	2
17	00-719193	Pilot Valve 1/8 X 3/16 CC RT	1
18	00-760619-0000A	Pilot Sub Assy.	1
19	00-715194	Clip – Pilot Tubing 3/16	2
20	00-408279-00025	Regulator – Pressure (Natural)	1
	00-408279-00021	Regulator – Pressure (Propane)	1
21	00-760759	Side – Plant-On	1
22	00-760758	Panel – Back	1
23	00-760630-0000A	Burner – Outer	1
	00-730228	Screw 10-24 X 1/2 Phil. Pan Hd.	4
	00-730509	Clip – Tinnerman	2

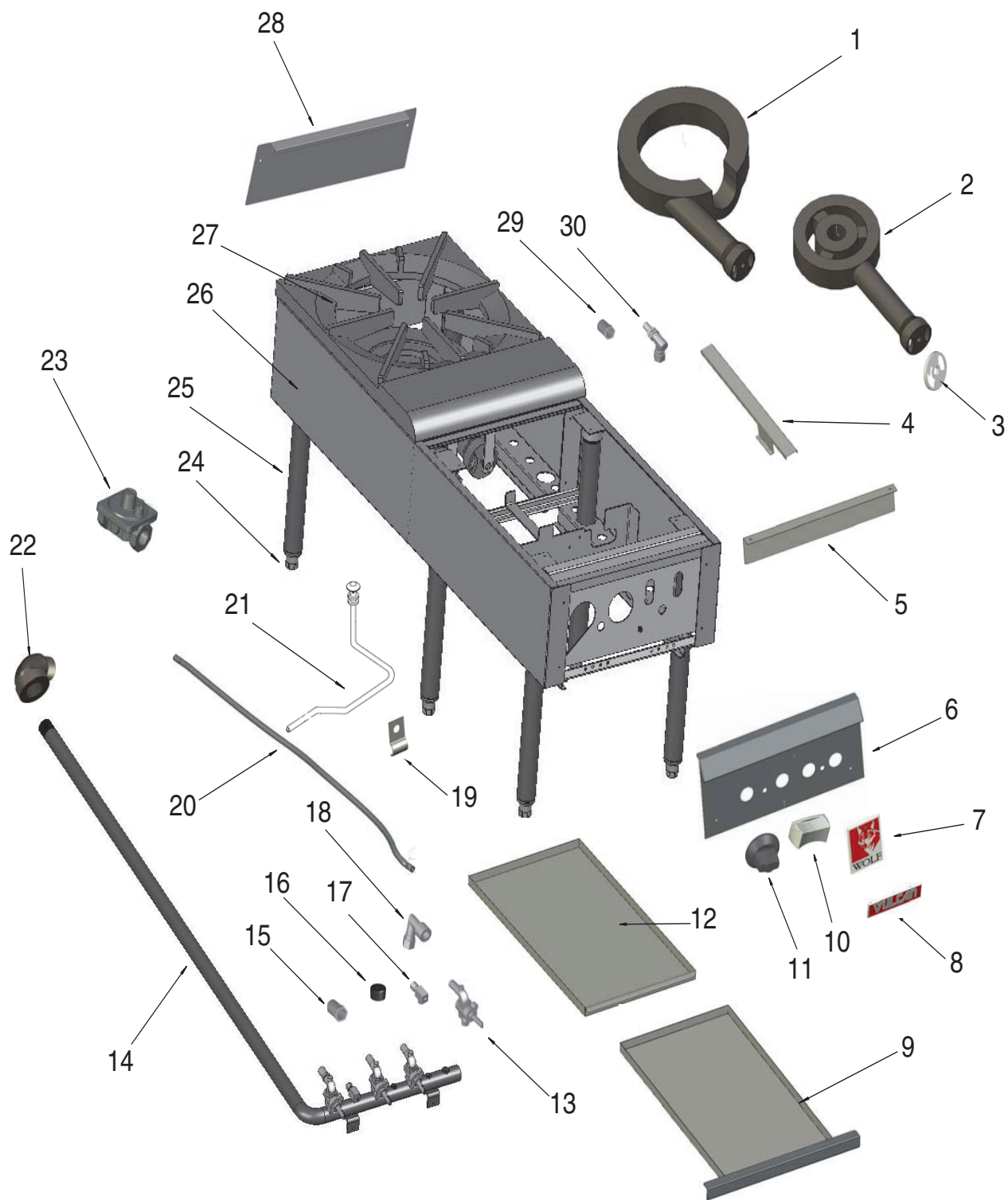


Figure 2

**STOCK POT RANGE
WSPR2F, VSP200F**

ILLUS. Figure 2	PART NO.	NAME OF PART	AMT.
1	00-760630-0000A	Burner – Outer	1
2	00-760631-0000A	Burner – Inner	1
3	00-715189	Air Shutter	1
4	00-769287	Tube Shield Bracket	1
5	00-760851	Baffle – Burner	1
6	00-769286	Panel – Front	1
7	00-719401	Wolf Nameplate	1
8	00-417700-00003	Vulcan Nameplate	1
9	00-760627-0000A	Drip Pan Weld Assy.	1
10	00-413157-00001	Knob – Valve (Metal) (Vulcan)	2
11	00-719259-00012	Knob – Valve (Red) (Wolf)	2
12	00-769277	Pan Extender	1
13	00-710121	Burner Valve – Manual	1
14	00-769283	Manifold Pipe W/A	1
15	00-719198-00044	Front Burner Orifice (Propane)	2
	00-719198-00029	Front Burner Orifice (Natural)	2
16	00-719363	Countersink Plug 1/8" NPT	1
17	00-719193	Pilot Valve 1/8" X 3/16" CC RT	1
18	00-722657	Brass Elbow 3/8" c 1/2"-27	1
19	00-715194	Clip - Pilot Tubing 3/16"	2
20	00-722224	Flex Tube – 3/8" X 30	1
	00-722225	Flex Tube – 3/8" X 36	1
21	00-760619-0000A	Pilot Sub Assy. (Front Pilot)	1
	00-798361	Tubing – 3/16" X 60 (Rear Pilot)	1
	00-719135	Pilot Tip (SS) (For Part 798361)	1
22	00-719059	Elbow – 3/4" Street	1
23	00-408279-00025	Regulator – Pressure (Natural)	1
	00-408279-00021	Regulator – Pressure (Propane)	1
24	00-719285	Insert – Foot	4
25	00-719280-00PNT	Leg – Black Pipe 1 1/4" Dia.	4
26	00-769284	Panel – Side	1
27	00-715183	Grate – Burner (Gray)	1
28	00-760758	Panel – Back	1
29	00-719951-00029	Rear Burner Orifice (Natural)	1
	00-719951-00044	Rear Burner Orifice (Propane)	1
30	00-719383	Orifice Elbow – 3/8"	1

RECOMMENDED SPARE PARTS LIST

PART NO.	NAME OF PART	AMT.
00-710121	Gas Valve	2
00-413157-00001	Burner Valve Knob	2
00-715189	Air Shutter	1
00-760619-0000A	Pilot Stem and Tip	2
00-408279-00021	Regulator (LP Gas)	1
00-408279-00025	Regulator (Nat. Gas)	1
00-719193	Pilot Valve	2

NOTES

NOTES