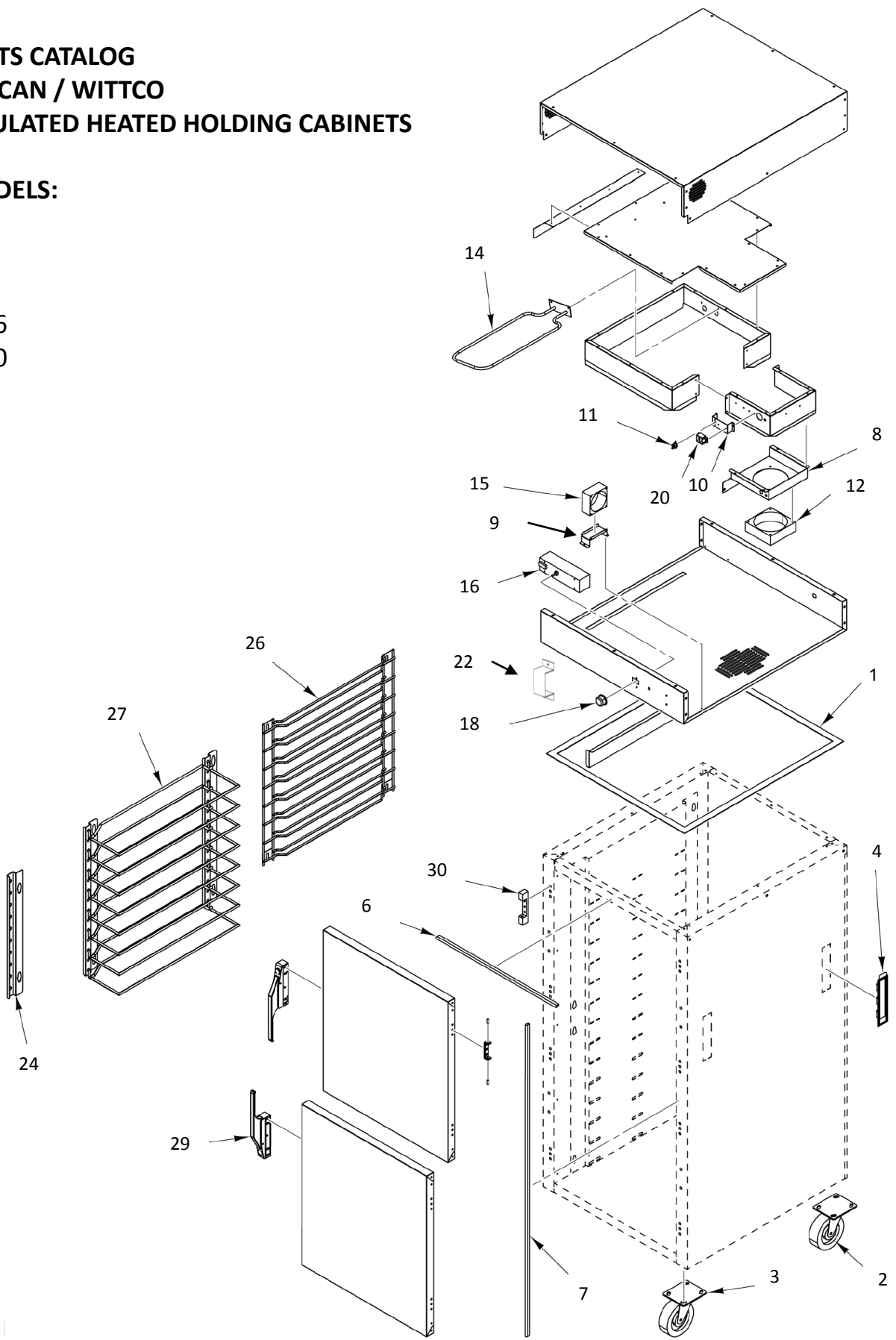


PARTS CATALOG
VULCAN / WITCO
INSULATED HEATED HOLDING CABINETS

MODELS:

VBP
VPT
VHP
1826
1820



CABINET
ELECTRONIC CONTROLS

CABINET
VBP/VPT 5,7,13,15,18 - ELECTRONIC CONTROLS

ITEM	P/N	DESC	ALL	VOLTAGE		QTY				
				120V	240V	5	7	13	15	18
1	00-961263	FOAM TAPE, SILICONE RUBBER	AR							
2	00-497001-00003	CASTER 5IN RIGID (2019 LATER)				2	2	2	2	
	00-960519	CASTER 5IN RIGID (2018 & EARLIER)				2	2	2	2	
	00-961974	CASTER, 3IN SWIVEL (2019 LATER)				2				
	00-960514	CASTER, 3IN RIGID (2018 & EARLIER)				2				
3	00-497001-00002	CASTER 5IN SWIVEL, W/ BRAKE (2019 LATER)				2	2	2	2	
	00-960520	CASTER 5IN SWIVEL, W/ BRAKE (2018 & EARLIER)				2	2	2	2	
	00-961975	CASTER, 3IN SWIVEL W/ BRAKE (2019 LATER)				2				
	00-960516	CASTER, 3IN SWIVEL W/ BRAKE (2018 & EARLIER)				2				
4	00-960606	HANDLE, 7" BLACK RECESSED	4							
5	00-960532	WP-036-CORD HOOK	1							
6	00-960579	WP-EXT-DR-22, EXTRUSION DOOR TOP/SIDE	AR							
7	00-960577	WP-EXT-DR-18M, EXTRUSION DOOR SIDE							AR	
	00-960571	WP-EXT-DR-25M, EXTRUSION DOOR SIDE							AR	
	00-961153	WP-EXT-DR-45M, EXTRUSION DOOR SIDE							AR	
	00-961154	WP-EXT-DR-50M, EXTRUSION DOOR SIDE							AR	
	00-961155	WP-EXT-DR-55M, EXTRUSION DOOR SIDE							AR	
8	00-961062	FAN HOLDER	1							
9	00-961138	FAN BRACKET (THRU AUGUST 2019 ONLY)	1							
10	00-961643	STANDOFF BRACKET	1							
11	00-960748	THERMOSTAT, HI LIMIT	1							
12	00-961086	FAN, METAL BLADES, 120V, WITH 24" WIRES		1						
	00-961230	FAN, METAL BLADES, 240V, WITH 24" WIRES			1					
13	00-961640	POWER CORD, 14GA, NEMA 5-15P		1						
	00-960539	POWER CORD, 16GA, NEMA 6-15P			1					
14	00-960564	ELEMENT, 120V/1500W		1						
	00-960568	ELEMENT, 240V/1500W			1					
15	00-960833	FAN, COOLING 120V		1						
	00-960834	FAN, COOLING 240V			1					
ELECTRONIC CONTROLS	16	00-960903	CONTROLLER, TEMP	1						
	17	00-960904	TEMP PROBE	1						
	18	00-960644	KNOB, THERMOSTAT SMALL W/SET SCREW					1	1	1
		00-961170	KNOB, THERMOSTAT, ALUMINUM				1	1		
	19	00-960797	WIRE HARNESS, ELECTRONIC CONTROLS	1						
	20	00-960507	TERMINAL BLOCK (8)	1						
	21	00-960524	CLAMP, LOOP 1/4" THERMOSTAT	1						
	22	00-961459	KNOB GUARD				1	1		
	23	00-960938	TUNNEL, 5				1			
		00-961205	TUNNEL, 7					1		
	00-961083	TUNNEL, 13						1		
	00-960944	TUNNEL, 15							1	
	00-961174	TUNNEL, 18								1
24	00-961059	UPRIGHT, RACK, 5				4				
	00-960761	UPRIGHT, RACK, 7,15					4		8	
	00-961085	UPRIGHT, RACK, 13						4		
	00-961058	UPRIGHT, RACK, 18								4

**CABINET
VBP/VPT 5,7,13,15,18 - ELECTRONIC
CONTROLS**

ITEM	P/N	DESC	ALL VOLTAGE	QTY							
				120V	240V	SIZE	5	7	13	15	18
25	00-960753	TRAY SLIDE					10	10	20	20	30
26	00-960705	RACK, LIP LOAD (LL MODELS)						2		4	
27	00-960706	RACK, SIDE LOAD (SL MODELS)						2		4	
28	00-960707	RACK SHELF (SL MODELS)						3		6	
29	00-960663	LATCH MAGNETIC CHROME W/BLK HANDLE	AR								
30	00-960616	HINGE, DOOR	AR								

MECHANICAL CONTROLS & VHP7, VHP15

MECHANICAL & VHP CONTROLS (NOT SHOWN)	31	00-960672	LIGHT, INDICATOR ROUND 250V	1						
	32	00-960743	THERMOSTAT, COOLING FAN, 120F	1						
	33	00-960736	THERMOMETER, DIAL 2"	1						
	34	00-960741	THERMOSTAT, (195 DEGREE)	1						
	35	00-960799	WIRE HARNESS, MECH CONTROLS	1						
	36	00-961113	ELEMENT CLIP	1						
	37	00-961372	PROBE HOLDER	1						