

# **VULCAN**

## **CATALOG OF REPLACEMENT PARTS**

### ***V SERIES HEATED HOLDING INSULATED CABINETS***

#### **MODELS**

**VBP5  
VBP7  
VBP13  
VBP15  
VBP18  
VHP7  
VHP15  
VPT7  
VPT13  
VPT15  
VPT18  
VBP5ES  
VBP7ES  
VBP13ES  
VBP15ES  
VBP18ES**



**For additional information on Vulcan or to locate an authorized parts  
and service provider in your area, visit our website at [www.vulcanequipment.com](http://www.vulcanequipment.com)**

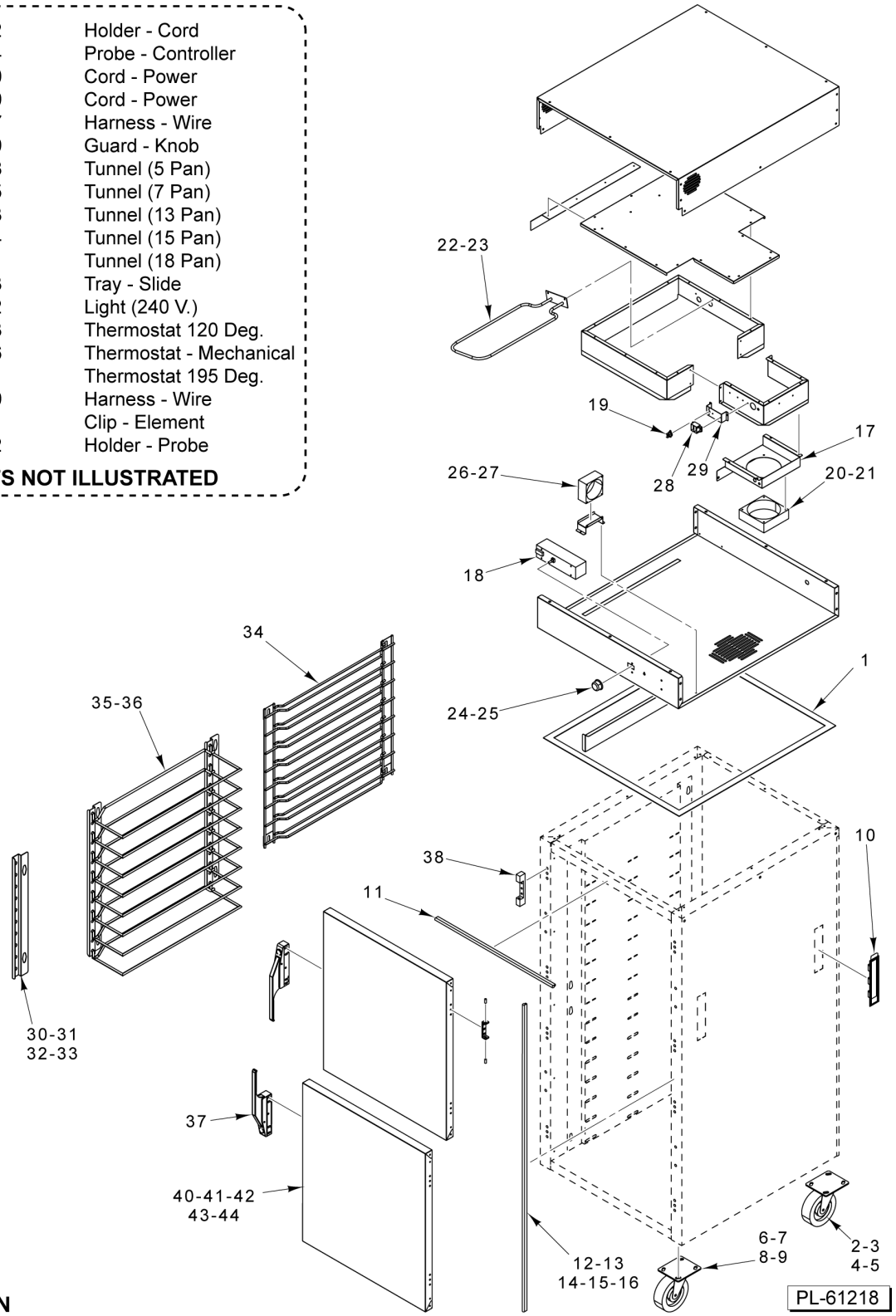


**Table of Contents**

|   |                                      |
|---|--------------------------------------|
| 5 | CABINET (VBP/VHP/VPT)                |
| 9 | TOP (STARTING 5/10/21 S/N 481995932) |

|    |           |                         |
|----|-----------|-------------------------|
| 45 | 00-960532 | Holder - Cord           |
| 46 | 00-960904 | Probe - Controller      |
| 47 | 00-961640 | Cord - Power            |
| 48 | 00-960539 | Cord - Power            |
| 49 | 00-960797 | Harness - Wire          |
| 50 | 00-961459 | Guard - Knob            |
| 51 | 00-960938 | Tunnel (5 Pan)          |
| 52 | 00-961205 | Tunnel (7 Pan)          |
| 53 | 00-961083 | Tunnel (13 Pan)         |
| 54 | 00-960944 | Tunnel (15 Pan)         |
| 55 | 00-961174 | Tunnel (18 Pan)         |
| 56 | 00-960753 | Tray - Slide            |
| 57 | 00-960672 | Light (240 V.)          |
| 58 | 00-960743 | Thermostat 120 Deg.     |
| 59 | 00-960736 | Thermostat - Mechanical |
| 60 | 00-960741 | Thermostat 195 Deg.     |
| 61 | 00-960799 | Harness - Wire          |
| 62 | 00-961113 | Clip - Element          |
| 63 | 00-961372 | Holder - Probe          |

**PARTS NOT ILLUSTRATED**



VBP15 SHOWN

CABINET (VBP/VHP/VPT)

PL-61218

**CABINET (VBP/VHP/VPT)**

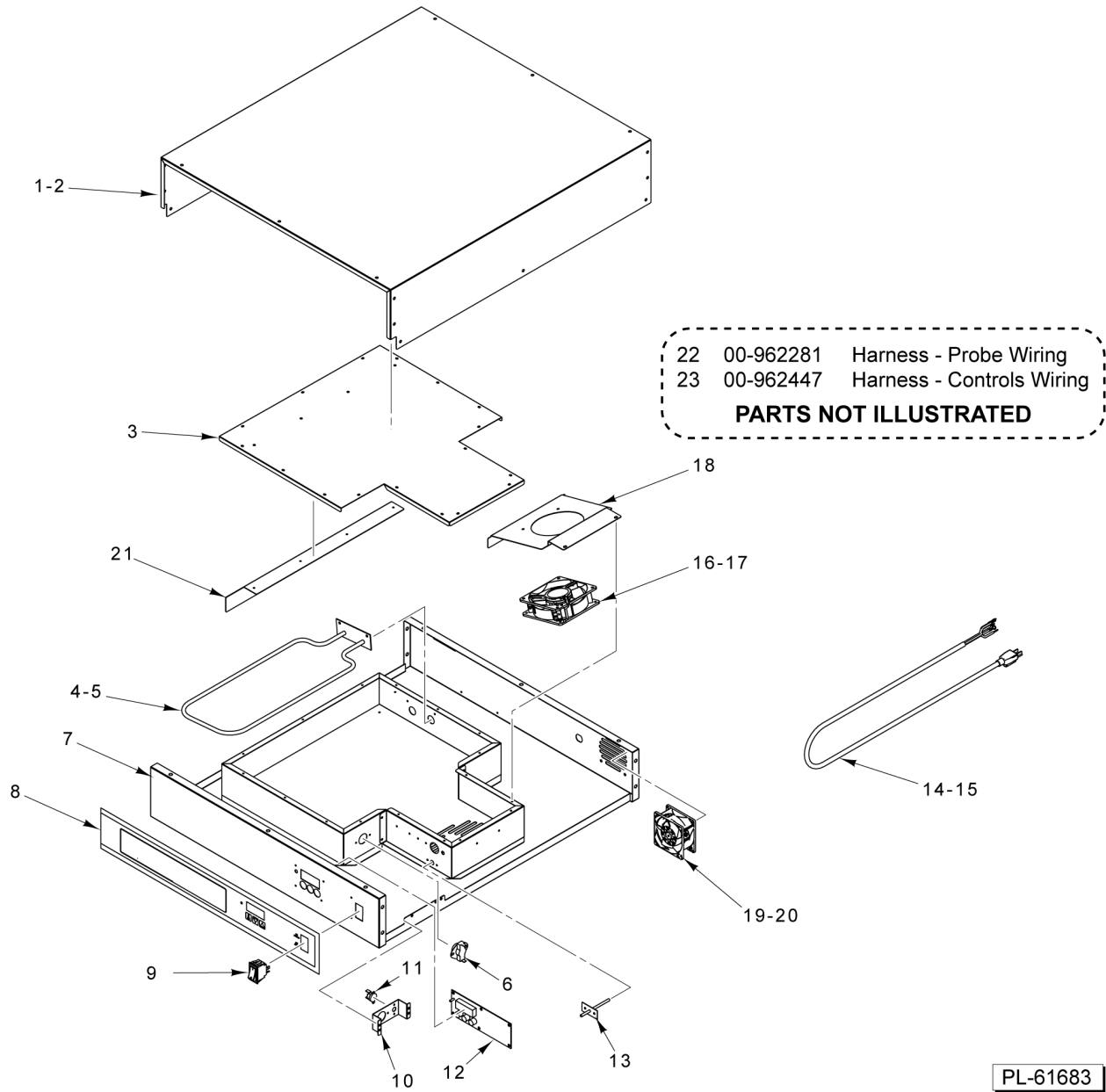
| ILLUS.<br>PL-61218 | PART NO.        | NAME OF PART  | AMT. |
|--------------------|-----------------|---|------|
| 1                  | 00-961263       | Gasket - Top Gasket - Top.....  | AR   |
| 2                  | 00-497001-00003 | Caster W/O Brake, Rigid (5 In.) (7/13/15/18 Pan) (Starting 2019).....     | 2    |
| 3                  | 00-960519       | Caster W/O Brake, Rigid (5 In.) (7/13/15/18 Pan) (Before 2019).....       | 2    |
| 4                  | 00-961974       | Caster 3 In. Caster W/O Brake, Rigid (3 In.) (5 Pan) (Starting 2019)..... | 2    |
| 5                  | 00-960514       | Caster W/O Brake, Rigid (3 In.) (5 Pan) (Before 2019).....                | 2    |
| 6                  | 00-497001-00002 | Caster W/ Brake, Swivel (5 In.) (7/13/15/18 Pan) (Starting 2019).....     | 2    |
| 7                  | 00-960520       | Caster W/ Brake, Swivel (5 In.) (7/13/15/18 Pan) (Before 2019).....       | 2    |
| 8                  | 00-961975       | Caster 3 In. Caster W/ Brake, Swivel (3 In.) (5 Pan) (Starting 2019)..... | 2    |
| 9                  | 00-960516       | Caster W/ Brake, Swivel (3 In.) (5 Pan) (Before 2019).....                | 2    |
| 10                 | 00-960606       | Handle - Recessed (Black).....  | 4    |
| 11                 | 00-960579       | Gasket - Door (Top).....  | AR   |
| 12                 | 00-960577       | Gasket - Door (Side) (5 Pan).....   | AR   |
| 13                 | 00-960571       | Gasket - Door (Side) (7 Pan).....   | AR   |
| 14                 | 00-961153       | Gasket - Door (Side) (13 Pan).....  | AR   |
| 15                 | 00-961154       | Gasket - Door (Side) (15 Pan).....  | AR   |
| 16                 | 00-961155       | Gasket - Door (Side) (18 Pan).....  | AR   |
| 17                 | 00-961062       | Holder - Fan.....   | 1    |
| 18                 | 00-960903       | Controller.....   | 1    |
| 19                 | 00-960748       | High Limit Thermostat.....  | 1    |
| 20                 | 00-961086       | Fan 4-3/4 In. (120 V.).....   | 1    |
| 21                 | 00-961230       | Fan 4-3/4 In. (240 V.).....   | 1    |
| 22                 | 00-960564       | Element - Heating (1500 Watt) (120 V.).....                               | 1    |
| 23                 | 00-960568       | Element - Heating (1500 Watt) (240 V.).....                               | 1    |
| 24                 | 00-960644       | Knob (13/15/18 Pan).....  | 1    |
| 25                 | 00-961170       | Knob (5/7 Pan).....   | 1    |
| 26                 | 00-960833       | Fan - Vent, 3-1/8 In. (120 V.).....                                       | 1    |
| 27                 | 00-960834       | Fan 3-1/8 In. (240 V.) Fan 3-1/2 In. (240 V.).....                        | 1    |
| 28                 | 00-960507       | Terminal - Block.....   | 1    |
| 29                 | 00-961643       | Bracket - Standoff.....   | 1    |
| 30                 | 00-961059       | Support - Rack (5 Pan).....   | 4    |
| 31                 | 00-960761       | Support - Rack (7/15 Pan).....  | AR   |
| 32                 | 00-961085       | Support - Rack (13 Pan).....  | 4    |
| 33                 | 00-961058       | Support - Rack (18 Pan).....  | 4    |
| 34                 | 00-960705       | Rack Rack - Lip Load (LL Models).....                                     | AR   |
| 35                 | 00-960706       | Rack - Pan - Side Load (SL Models).....                                   | AR   |
| 36                 | 00-960707       | Rack - Shelf (SL Models).....   | AR   |
| 37                 | 00-960663       | Latch - Door.....   | AR   |
| 38                 | 00-960616       | Hinge Assy.....   | AR   |
| 39                 | 00-961138       | Bracket - Fan.....  | AR   |
| *40                | 00-962446-00005 | Door Assy. (SST) (VBP5/VPT5).....   | 1    |
| *41                | 00-962446-00007 | Door Assy. (SST) (VBP7/VBP15) (VPT7/VPT15).....                           | AR   |
| *42                | 00-962446-00013 | Door Assy. (SST) (VBP13/VPT13).....                                       | 1    |
| *43                | 00-965446-00018 | Door Assy. (SST) (VBP18/VPT18).....                                       | 1    |
| *44                | 00-962446-00VHP | Door Assy. (SST) (VHP7/VHP15).....  | AR   |
| 45                 | 00-960532       | Holder - Cord.....  | 1    |
| 46                 | 00-960904       | Probe - Controller.....   | 1    |
| 47                 | 00-405016-G4    | Cord Power (120V) (VBT18, VPT18).....                                     | 1    |
| 48                 | 00-960539       | Cord - Power (240 V.).....  | 1    |
| 49                 | 00-960797       | Harness - Wire.....   | 1    |
| 50                 | 00-961459       | Guard - Knob (5/7 Pan).....   | 1    |
| 51                 | 00-960938       | Tunnel (5 Pan).....   | 1    |
| 52                 | 00-961205       | Tunnel (7 Pan).....   | 1    |
| 53                 | 00-961083       | Tunnel (13 Pan).....  | 1    |
| 54                 | 00-960944       | Tunnel (15 Pan).....  | 1    |
| 55                 | 00-961174       | Tunnel (18 Pan).....  | 1    |

**CABINET (VBP/VHP/VPT)**

| ILLUS.   | PART NO.  | NAME OF PART                                 | AMT. |
|----------|-----------|--|------|
| PL-61218 |           |  |      |
| 56       | 00-960753 | Tray - Slide.....                            | 1    |
| 57       | 00-960672 | Light - Indicator (240 V.) (VHP7/VHP15)..... | 1    |
| 58       | 00-960743 | Thermostat 120 Deg. (VHP7/VHP15).....        | 1    |
| 59       | 00-960736 | Temp Gage, Dial Type (VHP7/VHP15).....       | 1    |
| 60       | 00-960741 | Thermostat 195 Deg. (VHP7/VHP15).....        | 1    |
| 61       | 00-960799 | Harness - Wire (VHP7/VHP15).....             | 1    |
| 62       | 00-961113 | Clip - Element (VHP7/VHP15).....             | 1    |
| 63       | 00-961372 | Holder - Probe (VHP7/VHP15).....             | 1    |

\* One Door, No Hardware

## NOTES



**TOP**  
**(STARTING 5/10/21 S/N 481995932)**



**TOP**  
**(STARTING 5/10/21 S/N 481995932)**

| ILLUS. | PART NO.        | NAME OF PART                                | AMT. |
|--------|-----------------|---|------|
| 1      | 00-962489       | Cover - Top (Rear Fan).....                 | 1    |
| 2      | 00-961991       | Cover - Top (Side Fan).....                 | 1    |
| 3      | 00-962479       | Cover - Element Box.....                    | 1    |
| 4      | 00-960564       | Element - Heating (1500 Watt) (120 V.)..... | 1    |
| 5      | 00-960568       | Element - Heating (1500 Watt) (240 V.)..... | 1    |
| 6      | 00-960743       | Thermostat 120 Deg.....                     | 1    |
| 7      | 00-962665-000G1 | Liner - Top.....                            | 1    |
| 8      | 00-962106       | Overlay.....                                | 1    |
| 9      | 00-962322-00002 | Switch - Rocker.....                        | 1    |
| 10     | 00-962483       | Bracket - Standoff.....                     | 1    |
| 11     | 00-960748       | High Limit Thermostat.....                  | 1    |
| 12     | 00-962280       | Board - Control.....                        | 1    |
| 13     | 00-962282       | Probe - Temperature.....                    | 1    |
| 14     | 00-405016-000G1 | Cord Assy. (120 V.).....                    | 1    |
| 15     | 00-960539       | Cord - Power (240 V.).....                  | 1    |
| 16     | 00-961086       | Fan 4-3/4 In. (120 V.).....                 | 1    |
| 17     | 00-961230       | Fan 4-3/4 In. (240 V.).....                 | 1    |
| 18     | 00-961973       | Holder - Fan.....                           | 1    |
| 19     | 00-960833       | Fan - Vent, 3-1/8 In. (120 V.).....         | 1    |
| 20     | 00-960834       | Fan 3-1/8 In. (240 V.).....                 | 1    |
| 21     | 00-961066       | Deflector.....                              | 1    |
| 22     | 00-962281       | Harness - Probe Wiring.....                 | 1    |
| 23     | 00-962447       | Harness - Controls Wiring.....              | 1    |

