



Profit from the Eagle Advantage®

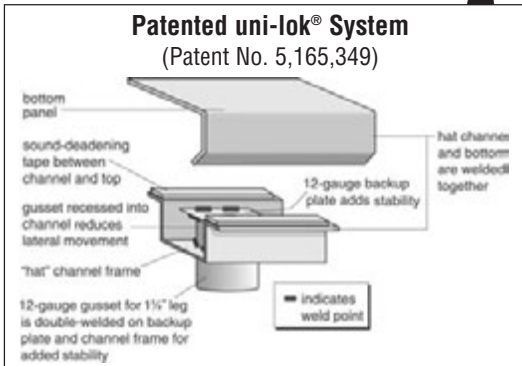
Specification Sheet

Short Form Specifications

Eagle Spec-Master® Marine Beverage Counter, model _____ . Top to be 14/304 stainless steel with stainless steel sides and front. Front edge to be either 1½" rolled edge or 2¾" boxed marine edge, and square ends. 10" backsplash with 2" return at 45° and a 1" downturn with "Z" clips. NEMA 5-20R duplex receptacle in backsplash. Top to have 10" x 14" x 10"-deep stainless steel sink with deck mount faucet, and stainless steel urn trough with removable stainless steel louvered grate. Base to have three pairs of stainless steel rack slides, 8" on center, and stainless steel hinged door in front of sink. Legs to be 1½" O.D. stainless steel tubing with stainless steel adjustable feet.



#BEV3072SE-10BS/L



Options / Accessories

- Locks for doors
- Specify floor length
- Bowl size
- Additional receptacles
- Splash mount faucet
- Laminate color
- Bullnose edge
- Square edge

EAGLE GROUP

100 Industrial Boulevard, Clayton, DE 19938-8903 USA
Phone: 302-653-3000 • Fax: 302-653-2065
www.eaglegrp.com

Foodservice Division: Phone 800-441-8440

MHC/Retail Display Divisions: Phone 800-637-5100

For custom configuration or fabrication needs, contact our **SpecFAB®** Division.

Phone: 302-653-3000 • Fax: 302-653-3091 • e-mail: specfab@eaglegrp.com

Item No.: _____
Project No.: _____
S.I.S. No.: _____

Spec-Master® Beverage Counters

MODELS:

- BEV3048SE-10BS/*
- BEV3060SE-10BS/*
- BEV3072SE-10BS/*
- BEV3084SE-10BS/*
- BEV3096SE-10BS/*
- BEV30120SE-10BS/*
- BEV30144SE-10BS/*
- BEV3048SEM-10BS/*
- BEV3060SEM-10BS/*
- BEV3072SEM-10BS/*
- BEV3084SEM-10BS/*
- BEV3096SEM-10BS/*
- BEV30120SEM-10BS/*
- BEV30144SEM-10BS/*

Design and construction features

- 14 gauge type 304 stainless steel—30" (762mm) wide.
- Features full length front and rear hat style channels with patented uni-lok® gusset/leg system (patent #5,165,349).
- Cabinetry, legs and adjustable feet are stainless steel.
- 7" (178mm)-high, 1½" (41mm)-diameter legs.
- 34½" (876mm) working height.
- 10" (254mm)-high backsplash with downturn.
- Includes Z-clips for securing to walls.
- Available with 1½" (38mm) rolled edge on front with squared ends, or with 2¾" (56mm) boxed marine edge on all four sides.
- Single phase duplex receptacle—120V 20A, NEMA 5-20R—on opposite end of sink.
- Sink features 10" x 14" x 9½" (254 x 356 x 241mm) sink bowl, and includes stainless steel 1½" (38mm) basket drain and #319247 faucet.
- Three pairs of stainless steel rack slides with raised beads, spaced 8" (203mm) apart. Each pair accommodates 20" (508mm)-wide glass racks.
- Urn trough is 24" x 4½" x 1¼" (610 x 114 x 32mm) or specify length desired, and includes 1½" (38mm) stainless steel drain and removable louvered grate.
- Stainless steel hinged doors (optional handles trimmed with laminate).

Certifications / Approvals



EG10.35 Rev. 10/08

Spec sheets available for viewing, printing or downloading from our online literature library at www.eaglegrp.com

Eagle Foodservice Equipment, Eagle MHC, SpecFAB®, and Retail Display are divisions of Eagle Group. ©2008 by the Eagle Group

Central Restaurant Products

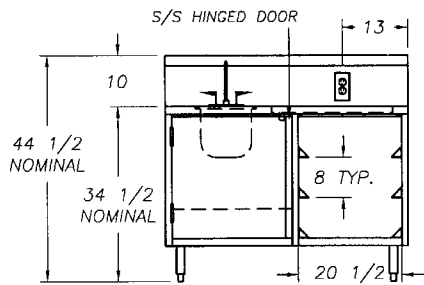
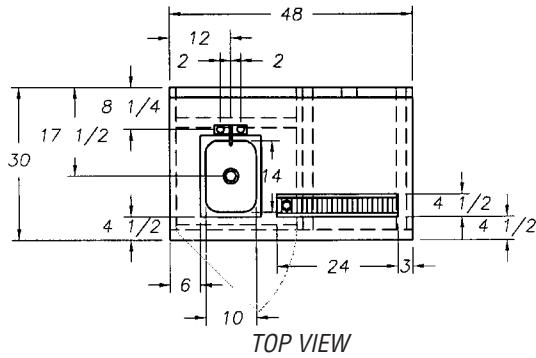


Profit from the Eagle Advantage®

Item No.: _____
 Project No.: _____
 S.I.S. No.: _____

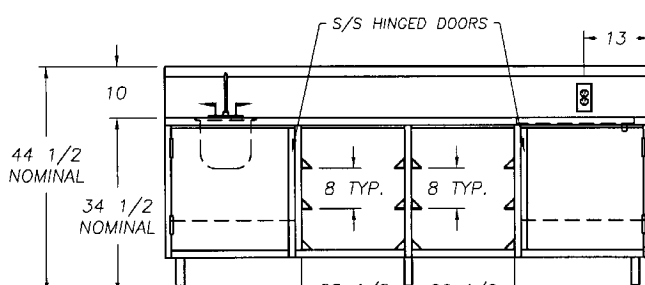
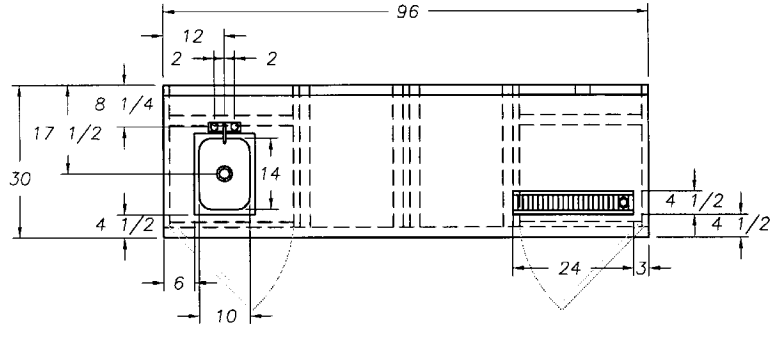
Spec-Master® Beverage Counters

48"-long Beverage Counters

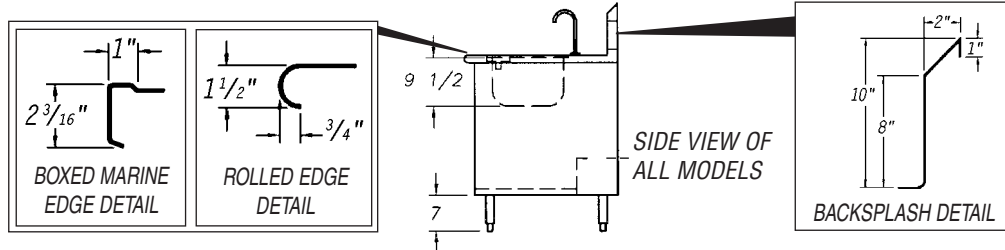


(#BEV3048SE-10BS/L shown)

96"-long Beverage Counters



(#BEV3096SE-10BS/L shown)



COUNTERS WITH ROLLED FRONT EDGE		COUNTERS WITH BOXED MARINE EDGES		width		length	
SINK ON LEFT END	SINK ON RIGHT END	SINK ON LEFT END	SINK ON RIGHT END	in.	mm	in.	mm
model #	model #	model #	model #				
BEV3048SE-10BS/L	BEV3048SE-10BS/R	BEV3048SEM-10BS/L	BEV3048SEM-10BS/R	30"	762	48"	1219
BEV3060SE-10BS/L	BEV3060SE-10BS/R	BEV3060SEM-10BS/L	BEV3060SEM-10BS/R	30"	762	60"	1524
BEV3072SE-10BS/L	BEV3072SE-10BS/R	BEV3072SEM-10BS/L	BEV3072SEM-10BS/R	30"	762	72"	1829
BEV3084SE-10BS/L	BEV3084SE-10BS/R	BEV3084SEM-10BS/L	BEV3084SEM-10BS/R	30"	762	84"	2134
BEV3096SE-10BS/L	BEV3096SE-10BS/R	BEV3096SEM-10BS/L	BEV3096SEM-10BS/R	30"	762	96"	2439
BEV30120SE-10BS/L	BEV30120SE-10BS/R	BEV30120SEM-10BS/L	BEV30120SEM-10BS/R	30"	762	120"	3048
BEV30144SE-10BS/L	BEV30144SE-10BS/R	BEV30144SEM-10BS/L	BEV30144SEM-10BS/R	30"	762	144"	3658

EAGLE GROUP
 100 Industrial Boulevard, Clayton, DE 19938-8903 USA
 Phone: 302-653-3000 • Fax: 302-653-2065
 www.eaglegrp.com

Foodservice Division: Phone 800-441-8440
 MHC/Retail Display Divisions: Phone 800-637-5100

Printed in U.S.A.
 ©2008 by Eagle Group

Rev. 10/08

Spec sheets available for viewing, printing or downloading from our online literature library at www.eaglegrp.com

Although every attempt has been made to ensure the accuracy of the information provided, we cannot be held responsible for typographical or printing errors. Information and specifications are subject to change without notice. Please confirm at time of order.