



204 Series

Water And Ice Station

Project _____
 Item _____
 Quantity _____
 CSI Section 11400
 Approved _____
 Date _____

204 Series Water And Ice Station

Models

- 204 Water and ice station with glass filler
- 204P Water and ice station with pitcher filler



204

Standard Features

- Top is 18-gauge stainless steel with raised die stamped opening
- Chrome plated wire strainer
- Glass filler is 9.5" high
- Pitcher filler is 13.5" high
- One-piece 20-gauge stainless steel lift-off cover with handle
- Liner of ice bin is high-impact ABS plastic with coved corners
- 1" diameter drain plumbed out the bottom
- High density environmentally friendly, Kyoto Protocol Compliant, Non ODP (Ozone Depletion Potential), Non GWP (Global Warming Potential) polyurethane foam throughout unit
- Exterior tank is made of galvanized steel

Specifications

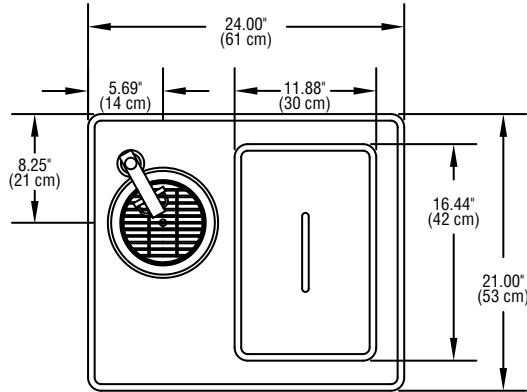
Top is 18-gauge stainless steel, has 1.37" (3 cm) overhang all around. Glass filler is 9.5" (24 cm) high, over die-stamped drain opening fitted with chrome-plated wire strainer. Pitcher filler is 13.5" (34 cm) high, over die-stamped drain opening fitted with chrome-plated wire strainer. Ice bin opening is die-stamped with .19" (5 mm) raised edges, measures 15.12" x 10.5" (38 cm x 27 cm), has one-piece 20-gauge stainless steel lift-off cover.

Liner of ice bin is high-impact ABS plastic, has rounded corners and is pitched to 1" (25 mm) diameter drain. Bin is insulated all around with high-density environmentally friendly, Kyoto Protocol Compliant, Non ODP (Ozone Depletion Potential), Non GWP (Global Warming Potential) polyurethane. Ice bin holds 45 pounds of ice.

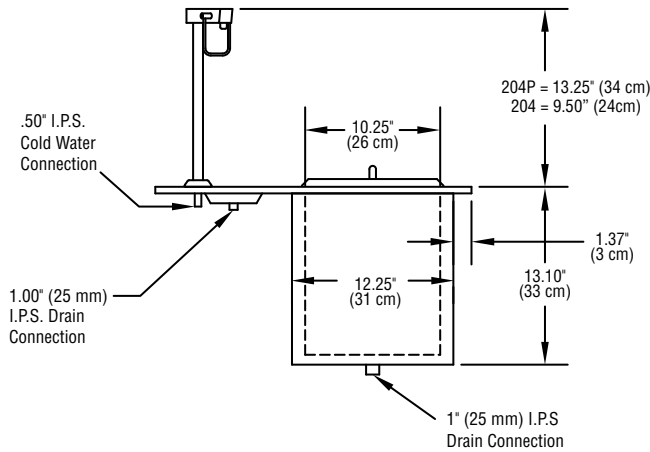
Exterior body is 24-gauge galvanized steel.

Cutout dimensions are 21" (53 cm) x 17.75" (45 cm).

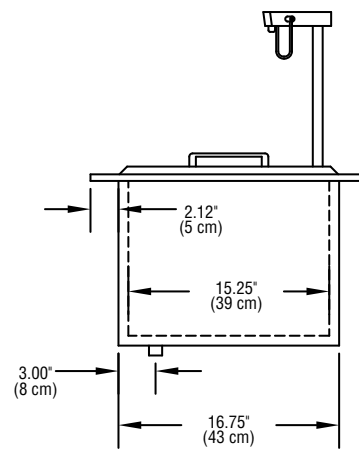




Plan View
204, 204P



Elevation View
204, 204P



Side View
204, 204P

Specifications						
Model	L	D	H	Cutout Size	Cabinet Capacity	Ship Weight
204	24\"/>					
204P	24\"/>					

Delfield reserves the right to make changes to the design or specifications without prior notice.

980 S. Isabella Rd.
Mt. Pleasant, Michigan 48858

Phone: 800-733-8948 or 989-773-7981
Fax: 800-669-0619
www.delfield.com

Printed in the U.S.A.
DS204_204P
07/10

