



## AX-S12 ULTRA 12" Meat Slicer

**PROJECT** \_\_\_\_\_

**ITEM** \_\_\_\_\_

**QUANTITY** \_\_\_\_\_



### FEATURES & BENEFITS

- High-quality, stylish, lightweight and compact space saving design
- Superior die-cast aluminum construction, Anodized aluminum alloy construction
- Easy to carry for catering needs, AX-S12 ULTRA is the most compact 12" slicer in the market
- The only ones in their class featuring a fan-cooled motor to avoid overheating
- Safety hand guard mounted to the carriage
- The easy, fast breakdown and the increased blade and machine body gap makes cleaning a breeze

#### Technical

- The slide shaft is made of ground, hard steel for a smoother operation
- The high-quality bushings and ball bearings are self-lubricating
- The dial thickness control cam system allows for an always precise cut

#### Safety

- A safety cover is placed under the motor and the electrical components
- The hopper features an exclusive heavy duty plastic protection to keep operator's hand at a safe distance from the blade while operating the slicer

#### Sanitary

- Easy to clean aluminum alloy construction does not crack or stain
- The carriage and the center plate are quickly removable without tools



Certified to UL Standard 763 and NSF Standard 08  
Certified to CSA Standard C22.2



3560 NW 56th Street  
Fort Lauderdale, FL, United States 33309  
Telephone: 786.600.4687 / Toll Free: 844.218.8477  
Fax: 786.661.4100

5659 Royalmount Ave.  
Montreal, QC, Canada H4P 2P9  
Telephone: 514.737.9701 / Toll Free: 888.275.4538  
Fax: 514.342.3854 / Toll Free: 877.453.8832  
sales@mvpgroupcorp.com / mvpgroupcorp.com

## Motor

- Microswitch protection on cover blade; blade will stop when microswitch loses its contact to avoid any injury
- Thermo-protection to avoid motor burning

## Top mounted double stone sharpener

- Built-in top mounted sharpener
- Double action sharpens in just seconds to obtain perfect results
- Removable for easy cleaning and sanitation

## Specifications

**Operation:** Gravity feed

**Construction:** Die-cast aluminum / AX-S12 ULTRA anodized cast aluminum.

**Knife:** One piece, chromium plated 100Cr6 forged carbon steel blade

**Sharpener:** Built-in, removable two stone dual action

**Slice thickness:** Infinitely variable up to 1/2"

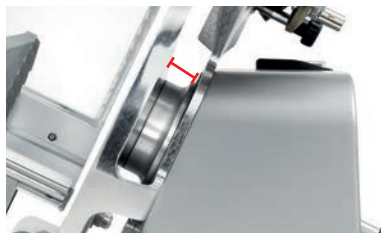
**Motor:** 0.50 Hp (185W), belt-driven, air-cooled

**Electrical:** 120V AC, 60Hz, 1.55 Amp

**Plug & Cord:** Attached, flexible, 3 wire SJT AWG 16, 6'4" long

**Switch:** ON/OFF Lighted Rocker Switch

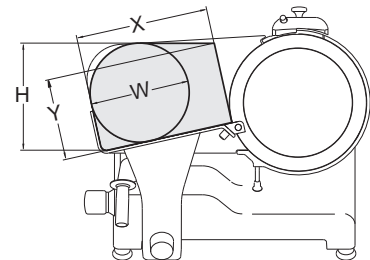
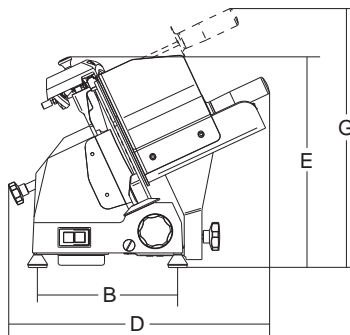
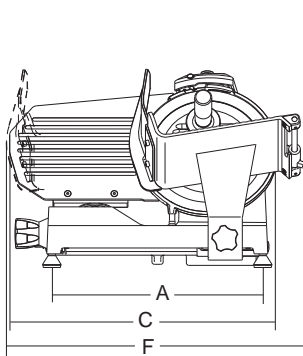
**Warranty:** 1 year parts and labor warranty



Wide gap between blade and body



Easy and fast breakdown for cleaning



	Ø Blade	Motor	Cut thickness	Blade rpm	Carriage stroke	Hopper	A	B	C	D	E	F	G	X	Y	H	W	Net weight	Shipping	Gross weight
	mm/inch	watt/Hp	inch.	rpm	inch.	inch.	inch.	inch.	inch.	inch.	inch.	inch.	inch.	inch.	inch.	inch.	inch.	lbs.	inch.	lbs.
<b>AX-S12 ULTRA</b>	300/12"	185-0.25	1/2"	335	9 5/8"	9 1/16" x 9 1/16"	15 9/16"	9 5/8"	19 11/16"	22 1/16"	14 9/16"	22 7/16"	18 11/16"	8 7/16"	5 11/16"	8 7/8"	7 1/2"	35	23 5/8" x 19 11/16" x 16 9/16"	40



3560 NW 56th Street  
 Fort Lauderdale, FL, United States 33309  
 Telephone: 786.600.4687 / Toll Free: 844.218.8477  
 Fax: 786.661.4100

5659 Royalmount Ave.  
 Montreal, QC, Canada H4P 2P9  
 Telephone: 514.737.9701 / Toll Free: 888.275.4538  
 Fax: 514.342.3854 / Toll Free: 877.453.8832  
[sales@mvpgroupcorp.com](mailto:sales@mvpgroupcorp.com) / [mvpgroupcorp.com](http://mvpgroupcorp.com)