



KUCR-27-1

SINGLE DOOR UNDERCOUNTER REFRIGERATOR

All-stainless steel construction, heavy-duty refrigeration system that delivers reliable and efficient cold storage with superior quality.



KEY FEATURES



• **Eco-Friendly Refrigerant**

Environmentally friendly R290 hydrocarbon refrigerant has low Global Warming Potential (GWP). Meets all USA, California & Canada refrigerant & energy standards.



• **Digital Control**

Digital temperature controls and display with automatic defrost system.



• **High Power Reliable Refrigeration System**

Fast pull down, optimal internal air circulation and reliable refrigeration, maintaining cooler temperatures for food preservation.



• **Durable, Self-contained System**

Stainless steel exterior and interior, coated evaporator coil and oversized bottom mount compressor



Signature **40/80 Warranty**
40 months parts and labor
80 months on compressor (part only)



3560 NW 56th Street
Fort Lauderdale, FL, United States 33309
Telephone: 786.600.4687 / Toll Free: 844.218.8477
Fax: 786.661.4100

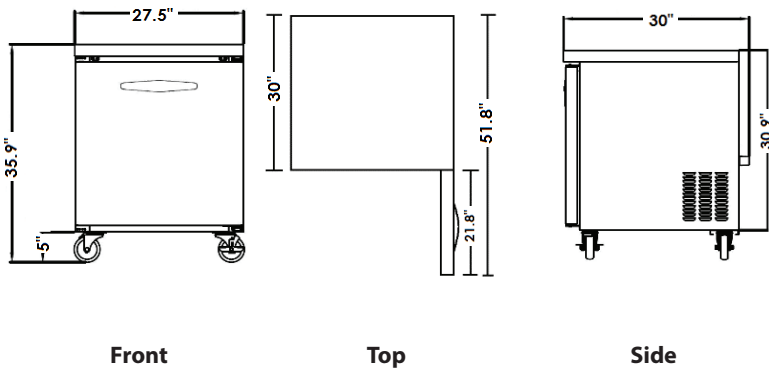
5659 Royalmount Ave.
Montreal, QC, Canada H4P 2P9
Telephone: 514.737.9701 / Toll Free: 888.275.4538
Fax: 514.342.3854 / Toll Free: 877.453.8832
sales@mvpgroupcorp.com / mvpgroupcorp.com



KUCR-27-1

SINGLE DOOR UNDERCOUNTER REFRIGERATOR

PRODUCT VIEWS



TECHNICAL SPECIFICATIONS

Exterior Dimensions		Interior Dimensions	
W:	27.5" (699 mm)	W:	24.7" (627 mm)
D:	30" (762 mm)	D:	27.2" (691 mm)
H:	35.9" (912 mm)	H:	28.9" (734 mm)
Interior Capacity			
7 Cu Ft 198 L			
Doors	Material	Shelves	
1	Stainless Steel	2	
Exterior Material		Stainless Steel	
Interior Material		Stainless Steel	

ADDITIONAL FEATURES



Heavy-duty 5" castors (2 with brakes)



Self-closing door
Reversible door swing (part KB-5246 required)



Foamed-in-place high-density CFC-free polyurethane insulation



Tight-sealing magnetic vinyl gaskets

REFRIGERATION PERFORMANCE

Refrigerant	
R290	
Compressor Power	
1/4 HP	
Thermostat default setting	33°F (0.5°C) to 40°F (4°C)

ELECTRICAL

Power Supply	Amps
115V/60Hz	3.6A
Plug Type	
NEMA 5-15P	

LOGISTICS

Unit Weight	Shipping Dimensions	
143 lb (65 kg)	W:	28.9" (734 mm)
Shipping Weight	D:	34.1" (866 mm)
	H:	36.6" (930 mm)
169 lb (77 kg)		