

# Garland™ G Series 36" Gas Restaurant Range

Item: \_\_\_\_\_  
Quantity: \_\_\_\_\_  
Project: \_\_\_\_\_  
Approval: \_\_\_\_\_  
Date: \_\_\_\_\_

G Series 36" Gas Restaurant Range

## Models:

- |                                    |                                    |                                   |                                    |                                    |                                   |
|------------------------------------|------------------------------------|-----------------------------------|------------------------------------|------------------------------------|-----------------------------------|
| <input type="checkbox"/> G36-6R    | <input type="checkbox"/> G36-6S    | <input type="checkbox"/> G36-6T   | <input type="checkbox"/> G36-4G12R | <input type="checkbox"/> G36-2G24R | <input type="checkbox"/> G36-G36R |
| <input type="checkbox"/> G36-4G12S | <input type="checkbox"/> G36-2G24S | <input type="checkbox"/> G36-G36S | <input type="checkbox"/> G36-4G12T | <input type="checkbox"/> G36-2G24T | <input type="checkbox"/> G36-G36T |



**Model G36-6R**

(shown with optional casters)

NOTE: Ranges supplied with casters must be installed with an approved restraining device.

## Standard Features:

- Large 27" (686mm) work top surface
- Stainless steel front and sides
- Stainless steel 5" (127mm) plate rail
- Stainless steel backguard, w/removable stainless steel shelf
- 12" (305mm) section stamped drip trays w/ dimpled bottom
- 6" (152mm) adj. stainless steel legs
- Large easy-to-use control knobs
- Gas regulator

## Standard on Applicable Models:

- Open storage in lieu of oven, suffix S
- Modular top (Suffix T) with stainless steel low profile backguard & 4" (102mm) adjustable metal legs
- Ergonomic split cast iron top ring grates
- 33,000 Btuh/9.67 kW 2 piece cast iron Starfire-Pro open top burner
- 5/8" (15mm) thick steel griddle plate w/ manual hi/lo valve control, 23" (584mm) working depth surface, Standard on right, optional on left
- 4-1/4" (108mm) wide grease trough
- 18,000 Btuh/5.27 kW cast iron "H" style griddle burner per 12"(305mm) width of griddle
- 38,000 Btuh/ 11.13 kW cast iron "H" style oven burner
- Snap action modulating oven thermostat low to 500° F
- Nickel plated oven rack and 3-position removable oven rack guide

- Large porcelain oven interior, fits standard sheet pans in both directions for standard ovens
- Strong, keep-cool oven door handle
- Convection oven w/3 nickel plated oven racks and removable rack guides in lieu of standard oven w/ 1/3HP 120v 60 Hz single phase fan motor; change suffix R to C

## Optional Features:

- Convection oven motor 240v 50/60HZ single phase
- Snap action modulating griddle control 175° to 425° F
- Hot top 12" (305mm) plate in lieu of two open burners, manual valve controlled w/18,000 Btuh/5.27 kW cast iron "H" burner standard on left side
- Low profile 9-3/8" (238mm) backguard stainless steel front and sides
- Additional oven racks
- 6" (152mm) levelling swivel casters (4), w/front locking
- Flanged deck mount legs
- Celsius temperature dials
- Piezo spark ignition for pilots on griddles
- Range mount salamanders and cheesemelters are available for the oven and storage base models but not modular top (T) models

## Specifications:

Gas restaurant series range with large capacity (standard) oven. 35 7/16" (900mm) wide, 27" (686mm) deep work top surfaces. Stainless steel front, sides and 5" wide front rail. 6" (152mm) legs with adjustable feet. Six Starfire-Pro 2 piece, 33,000 Btuh/ 9.67 kW (natural gas), cast open burners set in split cast iron ergonomic grates. Griddle or optional hot-top with cast iron "H" style burners, 18,000 Btuh/5.27 kW (natural gas), in lieu of open burners. One piece oven with porcelain interior and heavy duty, "keep cool" door handle. Heavy cast

iron "H" oven burner rated 38,000 Btuh/11.13 kW (natural gas) Oven controlled by even bake, fast recovery snap action modulating oven thermostat. Available with convection oven, storage base or modular top model in lieu of oven.



Garland Commercial Ranges Ltd.  
1177 Kamato Road,  
Mississauga, Ontario  
L4W 1X4 CANADA

General Inquires 1-905-624-0260  
USA Sales, Parts and Service 1-800-424-2411  
Canadian Sales 1-888-442-7526  
Canada or USA Parts/Service 1-800-427-6668



| Model Number           | Description               | Total BTU/Hr Natural | Shipping Information |                    |
|------------------------|---------------------------|----------------------|----------------------|--------------------|
|                        |                           |                      | Lbs/Kg               | Cu Ft <sup>2</sup> |
| G36-6R <sup>1</sup>    | Six OB w/26" Oven         | 236,000              | 430/195              | 40                 |
| G36-6S                 | Six OBs w/SB              | 198,000              | 310/141              | 40                 |
| G36-6T                 | Six OB MT                 | 198,000              | 190/86               | 22                 |
| G36-4G12R <sup>1</sup> | 12" G, Four OB w/26" Oven | 188,000              | 460/209              | 40                 |
| G36-4G12S              | 12" G Four OB w/SB        | 150,000              | 340/154              | 40                 |
| G36-4G12T              | 12" G Four OB MT          | 150,000              | 220/100              | 22                 |
| G36-2G24R <sup>1</sup> | 24" G, Two OB w/26" Oven  | 140,000              | 495/225              | 40                 |
| G36-2G24S              | 24" G Two OB w/SB         | 102,000              | 375/170              | 40                 |
| G36-2G24T              | 24" G Two OB MT           | 102,000              | 255/116              | 22                 |
| G36-G36R <sup>1</sup>  | 36" Gw/26" Oven           | 92,000               | 530/240              | 40                 |
| G36-G36S               | 36" G w/SB                | 54,000               | 410/186              | 40                 |
| G36-G36T               | 36" G MT                  | 54,000               | 290/132              | 22                 |

| Burner Ratings (BTU/Hr/kW) |              |             |
|----------------------------|--------------|-------------|
| Burner                     | Natural      | Propane     |
| Open                       | 33,000/9.67  | 26,000/7.61 |
| Griddle/Hot Top            | 18,000/5.27  | 18,000/5.27 |
| Oven                       | 38,000/11.13 | 32,000/9.38 |

| Manifold Operating Pressure |                     |
|-----------------------------|---------------------|
| Natural                     | Propane             |
| 4.5" WC<br>11 mbar          | 10.0" WC<br>25 mbar |

Gas input ratings shown for installations up to 2000 ft., (610m) above sea level. Please specify altitudes over 2000 ft.

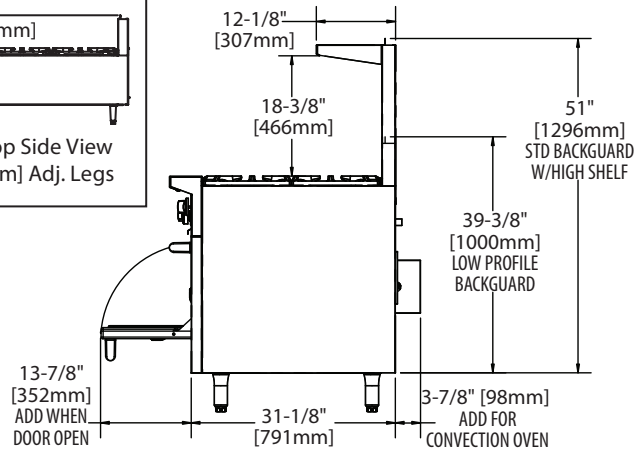
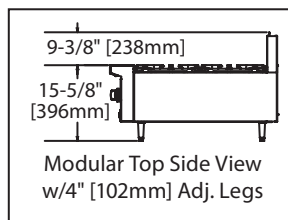
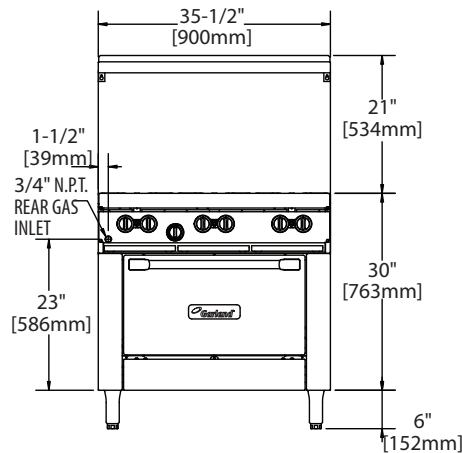
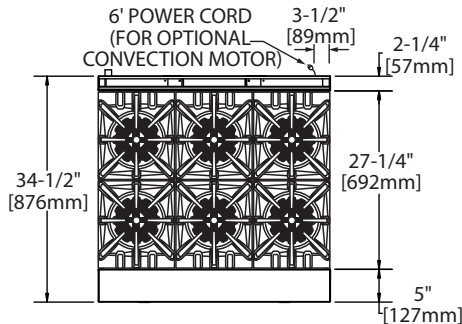
<sup>1</sup> Available with convection oven change R to C  
<sup>2</sup> Ranges with Convention Ovens "C" are 57 Cu Ft  
 OB = Open Burner, SS = Space Saver  
 SB = Storage Base MT = Modular Top G = Griddle  
 This product is not approved for residential use.  
 Note: Installation clearance reductions are applicable only where local codes permit.

| Model Type  | Width           | Depth <sup>3</sup> | Height w/LPBG <sup>4</sup> | Oven Interior |                    |                 |
|-------------|-----------------|--------------------|----------------------------|---------------|--------------------|-----------------|
|             |                 |                    |                            | Height        | Depth <sup>5</sup> | Width           |
| Range Base  | 35-1/2" (900mm) | 34-1/2" (876mm)    | 45-3/8" (1153mm)           | 13" (330mm)   | 26" (660mm)        | 26-1/4" (667mm) |
| Modular Top | 35-1/2" (900mm) | 34-1/2" (876mm)    | 25" (654mm)                | N/A           | N/A                | N/A             |

<sup>3</sup> Convection oven base models add 3 7/8" (98mm) to the depth of the unit  
<sup>4</sup> LPBG = Low Profile Backguard <sup>5</sup> Convection oven depth 22" (559mm)

| Model Type  | Combustible Wall Clearance |            | Entry Clearances |                 |
|-------------|----------------------------|------------|------------------|-----------------|
|             | Sides                      | Rear       | Crated           | Uncrated        |
| Range Base  | 14" (356mm)                | 6" (152mm) | 37" (940mm)      | 36-1/2" (927mm) |
| Modular Top | 14" (356mm)                | 6" (152mm) | 16" (406mm)      | 12" (305mm)     |

Convection ovens with 120V, 60 Hz, 1 phase, 3.4 amps motors are supplied with 6'/1829mm cord and plug (NEMA 5-15P); 240V, 50/60 Hz, 1 phase motors are not supplied with cord and plug and must have direct connect.



Form# G36 (11/26/14)