



**S680 SENTRY SERIES
ELECTRIC RESTAURANT RANGES/BROILERS**

models

**S/SS/SU - 684, S/SS/SU - 686
S/SS/SU - 684RC, S/SS/SU - 686RC
SERC, SUERC, SER-680, SUER-680**

PARTS LIST

Toll Free Phone (US & Canada): (800) 427-6668

Toll Free Fax (US & Canada): (800) 361-7745

<http://www.Garland-Group.com>



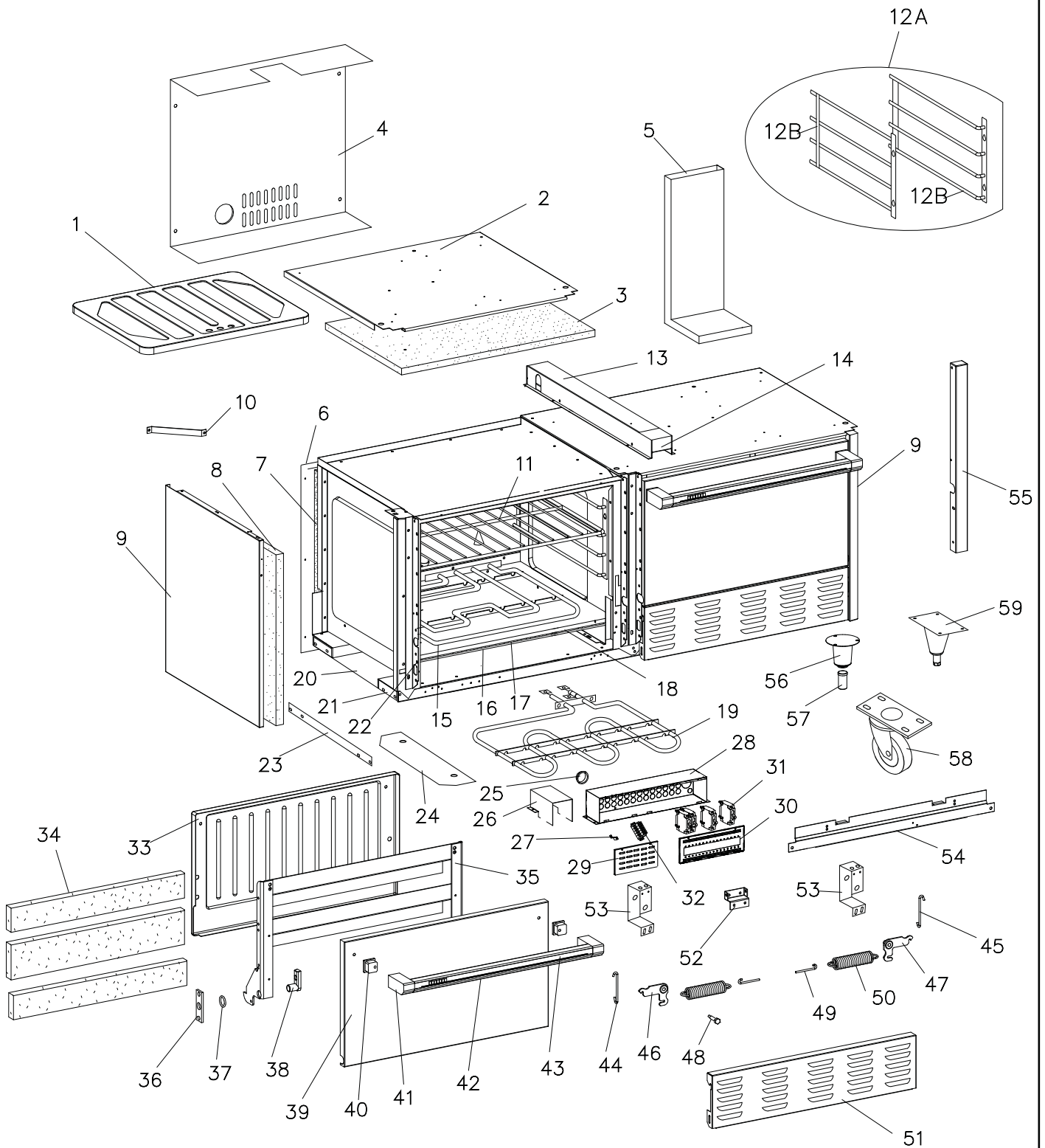
S680 SENTRY SERIES ELECTRIC RESTAURANT RANGES/BROILERS

models

**S/SS/SU - 684, S/SS/SU - 686
S/SS/SU - 684RC, S/SS/SU - 686RC
SERC, SUERC, SER-680, SUER-680**

Contents

Electric Restaurant Range Oven Section (models S, SS & SU - 684 / 686).....	4
Electric Restaurant Range Convection Oven Section (models S, SS & SU - 684RC / 686RC)	8
Electric Restaurant Range Top Section (models S, SS & SU - 684RC / 684RC / 686 / 686 RC).....	12
Electric Salamander Broiler (models SERC, SUERC, SER-680, SUER-680).....	16
Knob Replacement Guide.....	20
Photographs - Adjustable Leg / Leg Retainer / Leg Bullet.....	21
Revision History	22



GARLAND PARTS IDENTIFICATION
Electric Restaurant Ranges Oven Section

ITEM	PART #	DESCRIPTION	QUANTITY				DATE	
			S686	S684	SS/SU 686	SS/SU 684	UP TO	FROM
1	1438499	Oven Bottom Assembly	1	2	1	2		
2	1080918	Burner Box Bottom Assy.	1		1			
	1392200	Burner Box Bottom		2		2		
3	1472300	Oven Top Insulation	1	2	1	2		
4	2684900	Wall Shield	1		1			
	2684902	Wall Shield		1		1		
5	G01091-01-6	Flue Body Assembly	1	2	1	2		
6	2628800	Main Back 36"	1		1			
	2566301	Main Back 60"		1		1		
7	1472201	Upper Back Insulation	1	2	1	2		
	1472202	Lower Back Insulation	1	2	1	2		
8	1472200	Body Side Insulation	2	2	2	2		
9	1081104	Body Side Right	1		1			
	1081109	Body Side Left	1		1			
	1081113	Body Side Right		1		1		
	1081108	Body Side Left		1		1		
10	G6480-1-7	Body Side Rear Brace	2	2	2	2		
11	2301200	Oven Rack						
<p>IMPORTANT: OVEN RACK GUIDES The 3-position Rack Guides (part#s 2297700, 2297701) are no longer available. When switching to the 4-position Rack Guides, order Kit 4519545, which includes both left and right rack guides. Both 3- and 4-position guides use the same mounting method.</p>								
12A	4519545	Kit - Oven Rack Slide Assy LT/RT (2 Racks Included) From Serial # 0410100109744 Implementation Date: Nov. 5/04	1	2	1	2		
12B	4518127	Oven Rack Slide Assy LT/RT From Serial # 01410100109744 Implementation Date Nov. 5/04	1 Each Side					
13	2611900	Wire Cover		1		1		
14	2611800	Wire Channel		1		1		
15	G01042-1	Oven Element Lower Assy. 208V	1	2	1	2		
	G01042-3	Oven Element Lower Assy. 230V	1	2	1	2		
	G01042-2	Oven Element Lower Assy. 240V	1	2	1	2		
16	2684300	Oven Bottom Lining	1	2	1	2		
17	2684200	Insulating Bottom	1	2	1	2		
18	1472300	Oven Bottom Insulation	1	2	1	2		
19	G01043-1	Oven Element Upper Assy. 208V	1	2	1	2		
	G01043-3	Oven Element Upper Assy. 230V	1	2	1	2		
	G01043-2	Oven Element Upper Assy. 240V	1	2	1	2		
20	2610001	Main Bottom	1		1			
	2610000	Main Bottom		2		2		
21	1361810	Main Bottom Support Channel	2		2			
	1361812	Main Bottom Support Channel		2		2		
22	1730397	Front Frame Assy.	1		1			
	1730297	Front Frame Assy		2		2		
23	1388800	Lifting Angle	2	2	2	2		
24	G2207-1-6	Oven Bottom Filler	2	2	2	2		
25	G011487-1	Heyco Bushing	1	1	1	1		

* NOT ILLUSTRATED

^ PHOTO AT THE END

RECOMMENDED STOCK PARTS

GARLAND PARTS IDENTIFICATION
Electric Restaurant Ranges Oven Section

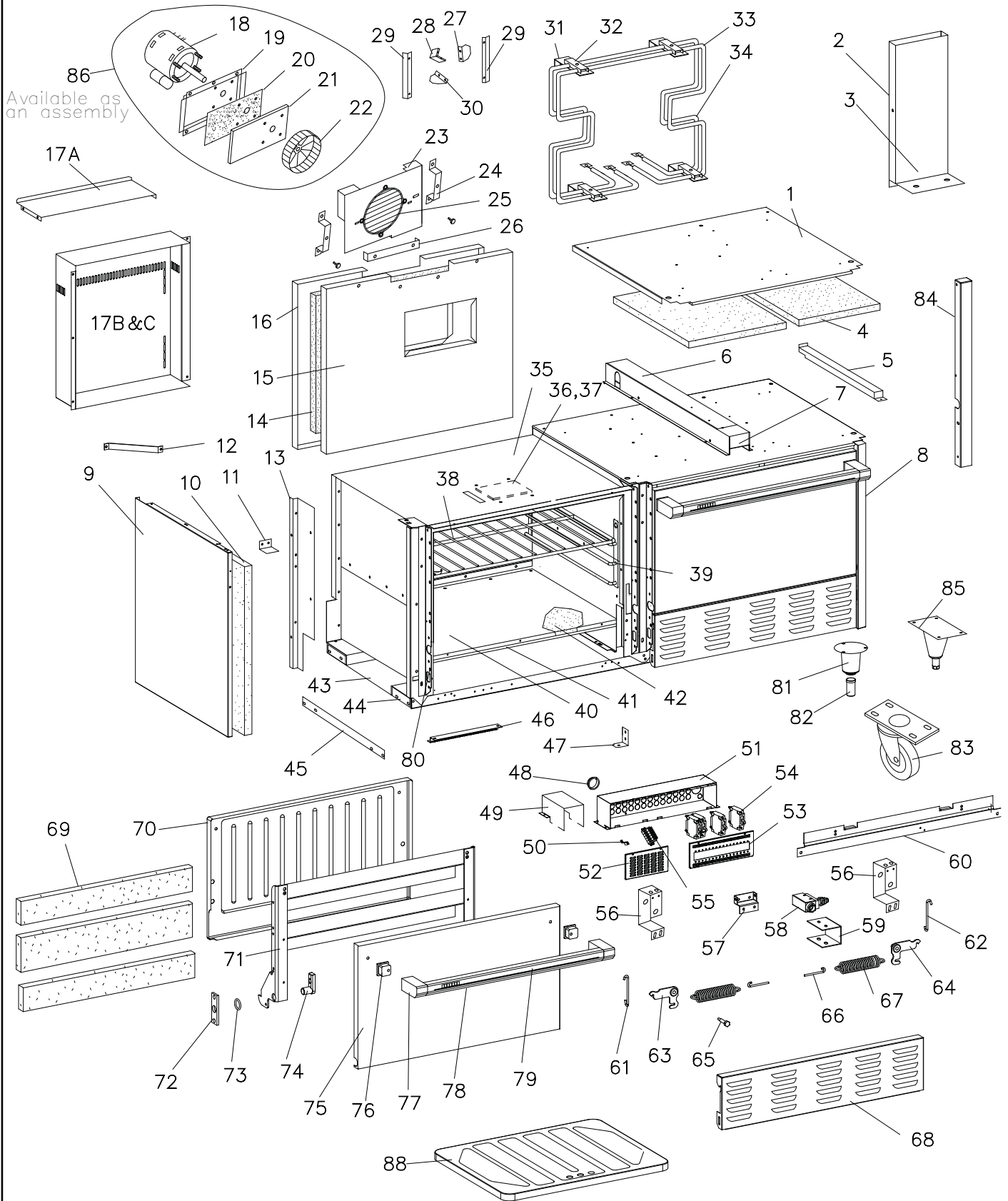
ITEM	PART #	DESCRIPTION	QUANTITY				DATE	
			S686	S684	SS/SU 686	SS/SU 684	UP TO	FROM
26	2686000	Wireway	1	1	1	1		
27	G01499-1	Ground Terminal	1	1	1	1		
28	2688900	Electrical Box	1	1	1	1		
29	2689000	Terminal Cover	1	1	1	1		
30	2689100	Circuit Breaker Cover	1	1	1	1		
31	2687000	Circuit Breaker 1 Pole 20 A	Quantity varies with unit configuration.					
	2687001	Circuit Breaker 1 Pole 30 A						
	2687002	Circuit Breaker 1 Pole 40 A						
	2688800	Circuit Breaker 2 Pole 20 A						
	2688801	Circuit Breaker 2 Pole 30 A						
	2688802	Circuit Breaker 2 Pole 40 A						
32	2694800	Terminal Block Assy. (Export)	1		1			
	1193900	Terminal Block						
33	1439796	Oven Door Lining	1	2	1	2		
34	1472301	Oven Door Insulation	1	2	1	2		
	1472302	Oven Door Insulation	1	2	1	2		
	1472303	Oven Door Insulation	1	2	1	2		
35	G03984-03-8	Oven Door Insert Assy.	1	2	1	2		
36	1083001	Trunion Support	2	4	2	4		
37	1082700	Harness Ring	2	4	2	4		
38	1082500	Oven Door Trunion	2	4	2	4		
39	2580100	Oven Door Panel	1	2	1	2		
40	2377300	Handle End Insert	2	4	2	4		
41	2194900	Handle End R/H	1	2	1	2		
	2194901	Handle End L/H	1	2	1	2		
42	2193100	Oven Door Handle	1	2	1	2		
43	2690400	Oven Door Handle Overlay	1	2	1	2		
44	1082803	Oven Door Hinge Link L/H	1	2	1	2		
45	1082802	Oven Door Hinge Link R/H	1	2	1	2		
46	1082198	Bell Crank Assy. L/H	1	2	1	2		
47	1082199	Bell Crank Assy. R/H	1	2	1	2		
48	1082200	Bell Crank Bolt	2	4	2	4		
49	9004701	Oven Door Spring Hook	2	4	2	4		
50	4512250	Door Spring	2	4	2	4		
51	2376702	Kick Panel	1	2	1	2		
52	2301300	Door Spring Support	1	2	1	2		
53	1386100	Bell Crank Support	2	4	2	4		
54	1528800	Front Frame Lower Support	1	2	1	2		
55	1081516	Centre Column		1		1		
56A^	1027600	6" Leg Retainer	4	4	4	4	Jul-03-04	
56B	2093800	4" Leg Retainer	4	4	4	4		
57^	1150502	Bullet Leg	4	4	4	4	Jul-03-04	
58	1027800	Caster W/O Brake NLA	2	2	2	2	Dec-10-04	
	4519432	Swivel Caster	2	2	2	2		Dec-10-04
	1027801	Caster W/Brake NLA	2	2	2	2	Dec-10-04	
	4519433	Swivel Caster with Brake	2	2	2	2		Dec-10-04
	4519839	Swivel Caster without Brake (UK)	2	2	2	2		
	4519840	Swivel Caster with Brake (UK)	2	2	2	2		
59^	4519723	6" S/S Adjustable Leg	4	4	4	4		Jul-03-04
60	4529724	Nameplate, Garland, large	1	1	1	1		

* NOT ILLUSTRATED

^ PHOTO AT THE END

RECOMMENDED STOCK PARTS

NOTES



GARLAND PARTS IDENTIFICATION
Electric Restaurants Range Convection Oven Section

ITEM	PART #	DESCRIPTION	MODEL/QUANTITY			DATE	
			S/SS/SU 686RC	S/SS/SU 684RC	SS/SU 684RC2	UP TO	FROM
1	1080918	Burner Box Bottom Assy.	1				
	1392200	Burner Box Bottom		1			
	1528401	Burner Box Bottom		1	2		
2	1527702	Oven Flue Riser Back	1	2	2		
3	1527700	Oven Flue Riser Front	1	2	2		
4	4527369	Oven Top Insulation - 1/2"	1	1	2		
	1472300	Oven Top Insulation - Std.		1			
5	1522300	Moisture Vent Channel	1		2		
6	2611900	Wire Cover	1		2		
7	2611800	Wire Channel	1		2		
8	1081104	Body Side R/H	1				
	1081113	Body Side R/H		1	1		
9	1081109	Body Side L/H	1				
	1081108	Body Side L/H		1	1		
10	4527368	Oven Side Insulation, 1/2"	2	4	4		
11	1411700	Insulation Support	2	2	4		
12	1081300	Side Rear Brace	2	2	2		
13	1411300	Casing Support R/H	1	2	2		
	1411301	Casing Support L/H	1	2	2		
14	1472200	Rear Insulation	1	2	2		
	1472201	Rear Insulation	1	2	2		
15	2600599	Main Back Insulation Pan Assy.	1	1	2		
16	2600400	Main Back	1	1	2		
17A	4520940	Grease Divertor-Stand Off	1				
17B	3005100	Wall Shield - 686RC	1				
All units S686RC & SU686RC Range Model Manufactured Before Jan 3, 2006 Will Require Both Items: 17A & 17B							
17C	2631400	Wall Shield 684RC & 684RC2		1	1		
	2684800	Wall Shield RC2 Right		1	1		
	2631300	Wall Shield - 684RC		1			
18	2485800	Motor	1	1	2		
19	2396600	Motor Mount Pocket	1	1	2		
20	1669100	Motor Pocket Insulation	1	1	2		
21	2396700	Motor Mount Plate	1	1	2		
22	G02952-01P	Blower Wheel	1	1	2		
23	2600799	Air Baffle	1	1	2		
24	CK226	Air Baffle Support Bracket Assembly - Incl. aluminum washers (F542) & #10-24 S/S wing screws (F543).	2	2	4		
25	2520100	Fan Protector Screen	1	1	2		
26	1527900	Insulation Retainer	1	1	2		
27	1522102	Air Vane Center Right	1	1	2		
28	1522101	Air Vane Center Left	1	1	2		
29	1522200	Air Vane Angle	1	1	2		
30	1522100	Air Vane Bottom Left	1	1	2		
31	1521300	Element Bracket	4	4	8		
32	1521400	Element Clamp	4	4	8		

* NOT SHOWN

^ PHOTO AT END

RECOMMENDED STOCK PARTS

GARLAND PARTS IDENTIFICATION
Electric Restaurants Range Convection Oven Section

ITEM	PART #	DESCRIPTION	MODEL/QUANTITY			DATE	
			S/SS/SU 686RC	S/SS/SU 684RC	SS/SU 684RC2	UP TO	FROM
33	9007101	Center RC Element 208V	1	1	2		
	9007113	Center RC Element 230V	1	1	2		
	9007104	Center RC Element 240V	1	1	2		
34	9007100	Rear RC Element 208V	1	1	2		
	9007112	Rear RC Element 230V	1	1	2		
	9007103	Rear RC Element 240V	1	1	2		
35	1411400	Oven Casing Top	1	1	2		
36	1412300	Vent Slide	1	1	2		
37	1412400	Vent Slide Housing	1	1	2		
38	4522409	Oven Rack, 26" x 22"	3	4	6		
39	2297700	Oven Rack Slide Assy. R/H		1			
	2297701	Oven Rack Slide Assy. L/H		1			
	1311100	RC Oven Rack Slide Assy. L/H	1	1	2		
	1311101	RC Oven Rack Slide Assy. R/H	1	1	2		
40	1411500	Oven Casing Bottom	1	1	2		
41	1521500	Bottom Insulation Pan	1	1	2		
42	4527369	Oven Bottom Insulation - 1/2"	1	1	2		
	1472300	Oven Bottom Insulation - Std.		1			
43	2610101	Main Bottom	1				
	2610100	Main Bottom		1	2		
	2610000	Main Bottom		1			
44	1361810	Main Bottom Support Channel	2				
	1361812	Main Bottom Support Channel		2	2		
45	1388800	Lifting Angle	2	2	2		
46	G02905-01-8E	Capillary Tube Guard	1	2	2		
47	1356600	Rack Guide Clip	4	4	8		
48	G01487-1	Heyco Bushing	1	1	1		
49	2627900	Wireway	1	1	1		
50	G01499-1	Ground Terminal	1	1	1		
51	2688900	Electrical Box	1	1	1		
52	2689000	Terminal Cover	1	1	1		
53	2689100	Circuit Breaker Cover	1	1	1		
54	2688700	Circuit Breaker 1 Pole 20A	Quantity varies with unit configuration.				
	2688701	Circuit Breaker 1 Pole 30A					
	2688702	Circuit Breaker 1 Pole 40A					
	2688800	Circuit Breaker 2 Pole 20A					
	2688801	Circuit Breaker 2 Pole 30A					
	2688802	Circuit Breaker 2 Pole 40A					
55	2694800	Terminal Block Assy.(Export)	1	1	1		
	1193900	Terminal Block (Domestic)					
56	1386100	Bell Crank Support	2	4	4		
57	2301300	Door Spring Support	1	2	2		
58	2398600	Microswitch	1	1	2		
	2398700	Microswitch Terminal Cover	1	1	2		
59	2689600	Microswitch Mounting Brkt.	1	1	2		
60	1528800	Front Frame Lower Support	1	2	2		
61	1082803	Oven Door Hinge Link L/H	1	2	2		
62	1082802	Oven Door Hinge Link R/H	1	2	2		
63	1082198	Bell Crank Assy. L/H	1	2	2		
64	1082199	Bell Crank Assy. R/H	1	2	2		

* NOT SHOWN

^ PHOTO AT END

RECOMMENDED STOCK PARTS

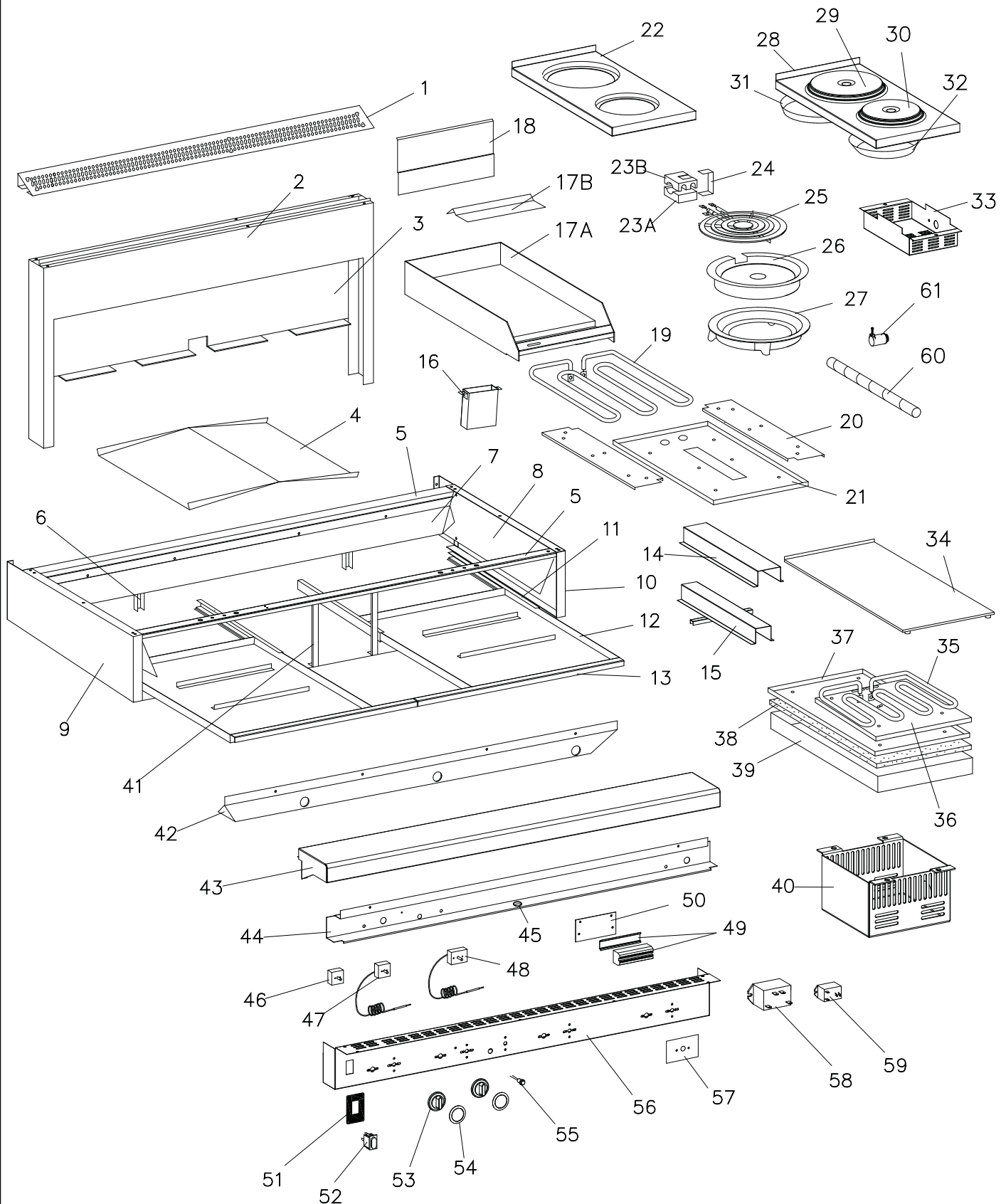
GARLAND PARTS IDENTIFICATION
Electric Restaurants Range Convection Oven Section

ITEM	PART #	DESCRIPTION	MODEL/QUANTITY			DATE	
			S/SS/SU 686RC	S/SS/SU 684RC	SS/SU 684RC2	UP TO	FROM
65	1082200	Bell Crank Bolt	2	4	4		
66	9004701	Oven Door Spring Hook	2	4	4		
67	4512250	Door Spring	2	4	4		
68	2376702	Kick Panel	1	2	2		
69	1472301	Oven Door Insulation	1	2	2		
	1472302	Oven Door Insulation	1	2	2		
	1472303	Oven Door Insulation	1	2	2		
70	1439796	Oven Door Lining	1	2	2		
71	G03984-03-8	Oven Door Insert Assy.	1	2	2		
72	1083001	Trunion Support	2	4	4		
73	1082700	Harness Ring	2	4	4		
74	1082500	Oven Door Trunion	2	4	4		
75	2580100	Oven Door Panel	1	2	2		
76	2377300	Handle End Insert	2	4	4		
77	2194900	Handle End R/H	1	2	2		
	2194901	Handle End L/H	1	2	2		
78	2193100	Oven Door Handle	1	2	2		
79	2690400	Oven Door Handle Overlay	1	2	2		
80	1730397	Front Frame Assy.	1				
	1730297	Front Frame Assy.		2	2		
81A^	1027600	6" Leg Retainer	4	4	4	Jul-03-04	
81B	2093800	4" Leg Retainer	4	4	4		
82^	1150502	Bullet Leg	4	4	4	Jul-03-04	
83	1027801	Caster W/O Brake NLA	2	2	2	Dec-10-04	
	4519432	Swivel Caster	2	2	2		Dec-10-04
	1027801	Caster with Brake NLA	2	2	2	Dec-10-04	
	4519433	Swivel Caster With Brake	2	2	2		Dec 10-04
	4519839	Swivel Caster without Brake (UK)	2	2	2		
	4519840	Swivel Caster with Brake (UK)	2	2	2		
84	1081516	Center Column		1	1		
85^	4519723	6" Adjustable Caser, SS	4	4	4		Jul-03-04
86	CK2485800	Motor Fan Assembly RC 208/240 – 50/60 Hz.	1	1	1		
87*	4529724	Nameplate, Garland, Large	1	1	1		

* NOT SHOWN

^ PHOTO AT END

RECOMMENDED STOCK PARTS



GARLAND PARTS IDENTIFICATION
Electric Restaurant Range Top Section

ITEM	PART #	DESCRIPTION	QUANTITY	
			S/SS/SU 686(RC)	S/SS/SU 684(RC)
1	2374301	Backguard Top 36"	1	
	2374303	Backguard Top 60"		1
2	2374101	Backguard Front	1	
	2374198	Backguard Front Assembly		1
3	2685800	Backguard Back Std	1	
	2685801	Backguard Back S/S	1	
	2685802	Backguard Back Std		1
	2685803	Backguard BackS/S		1
4	2692000	Centre Grease Diverter		1
5	1085000	Burner Box Front Channel 36"	2	
	1085100	Burner Box Front Channel 60"		2
6	1414600	Burner Box Back Support	1	2
7	2610800	Rear Heat Baffle	1	
	2610401	Rear Heat Baffle		1
8	2610600	Side Baffle L/h	1	1
	2610601	Side Baffle R/h	1	1
9	2589200	Burner Box Side L/h	1	1
10	2589201	Burner Box Side R/h	1	1
11	G1882-1-7	Drip Tray Slide	4	4
12	2684099	Drip Tray Assembly Large	1	2
	2686700	Drip Tray Small	1	
13	2686400	Drip Tray Handle Large	1	
	2686500	Drip Tray Handle Small	1	
	2602100	Drip Tray Handle		2
14	G01849-1-6	Bulb Channel	1 per 12" Grid	1 per 12" Grid
15	G01851-01-6	Bulb Clamp Assy.	1 per 12" Grid	1 per 12" Grid
16	3001799	Grease Chute Assembly	1	1
17A	4518244	Griddle Assy 12" R/h	1	1
	4518245	Griddle Assy 12" L/h	1	1
	4518246	Griddle Assy 24"	1	1
	4518247	Griddle Assy 36"	1	1
17B	2631505	Grease Deflector 12"	1	1
	2631501	Grease Deflector 24"	1	1
	2631500	Grease Deflector 36"	1	1
18	3051000	Griddle Backsplash 12"	Quantity varies with unit configuration.	
	3051002	Griddle Backsplash 24"		
	3051003	Griddle Backsplash 36"		
19	G01816-1	Element 208V, 3350W	1 per 12" Grid	1 per 12" Grid
	G01816-2	Element 240V, 3350W	1 per 12" Grid	1 per 12" Grid
	G01816-4	Element 230V, 3350W	1 per 12" Grid	1 per 12" Grid
20	G01884-1-6	Element Clamp	2 per 12" Grid	2 per 12" Grid
21	G03261-1-6	Element Cover	1 per 12" Grid	1 per 12" Grid
22	2611400	Insert Top Assy. 2 Hole - Tubular El.	Quantity varies with unit configuration.	
	2611499	Insert Top Assy. 4 Hole - Tubular El.		
	2611498	Insert Top Assy. 6 Hole - Tubular El.		
	2611497	Insert Top Assy. 8 Hole - Tubular El.		
	2611496	Insert Top Assy. 10 Hole -Tubular El.		
23A	2195800	Element Block Small (Bottom)		
23B	2195801	Element Block Small (Top)		
24	2627700	Spring Clip		

* NOT ILLUSTRATED

RECOMMENDED STOCK PARTS

GARLAND PARTS IDENTIFICATION
Electric Restaurant Range Top Section

ITEM	PART #	DESCRIPTION	QUANTITY			
			S/SS/SU 686(RC)	S/SS/SU 684(RC)		
25	2195000	<i>Tubular Element 8" 208V</i>	Quantity varies with unit configuration.			
	2195001	<i>Tubular Element 8" 220-240V</i>				
	2195100	<i>Tubular Element 6" 1/2 208V</i>				
	2195101	<i>Tubular Element 6" 1/2 220-240V</i>				
26	2195200	Reflector Pan 6 1/2"				
	2195300	Reflector Pan 8"				
27	2602499	Ring Assy. 6 1/2"				
	2602399	Ring Assy. 8"				
28	2611300	Insert Top Assy. 2 Hole - Sealed El.				
	2611399	Insert Top Assy. 4 Hole - Sealed El.				
	2611398	Insert Top Assy. 6 Hole - Sealed El.				
	2611397	Insert Top Assy. 8 Hole - Sealed El.				
	2611396	Insert Top Assy. 10 Hole - Sealed El.				
29	2147100	<i>Sealed Element Large 208V</i>				
	2147101	<i>Sealed Element Large 230V</i>				
	2147102	<i>Sealed Element Large 240V</i>				
30	2590200	<i>Sealed Element Small 208V</i>				
	2590201	<i>Sealed Element Small 230V</i>				
	2590202	<i>Sealed Element Small 240V</i>				
31	2147200	Screening Sheet Large				
32	2147201	Screening Sheet Small				
33	2685500	Terminal Cover				
34	2596599	Hot Top Assy.				
35	G03237-1	Hot Top Element 208V				
	G03237-3	Hot Top Element 230V				
	G03237-2	Hot Top Element 240V				
36	2596900	Element Clamp				
37	2596800	Element Baffle				
38	1309079	Insulation				
39	2596700	Element Cover				
40	2611100	Terminal Box				
41	2684600	Channel Support				2
42	2610799	Front Heat Baffle 60"				1
	2610999	Front Heat Baffle 36"			1	
43	2608200	Front Rail 60"				1
	2608300	Front Rail 36"			1	
44	2611600	Switch Guard 60"				1
	2611200	Switch Guard 36"			1	
45	G01487-2	Heyco Bushing				1
46	4523166	<i>Six Heat Switch, c-CSA-us (for Canada/US markets)</i>			Quantity varies with unit configuration.	
	4523167	<i>Six Heat Switch, CE</i>				
	G03185-2	<i>Infinite Switch</i>				
47	G0893-01	<i>Griddle Thermostat</i>				
48	G0894-01	<i>Oven Thermostat</i>			1	1
49	2694601	Terminal Block 8 Pole			1 (Std. Only)	1
	2694600	Terminal Block 11 Pole – Use 2694602			1 (RC Only)	1
	2694602	Junction Block Assembly			1 (RC Only)	1

* NOT ILLUSTRATED

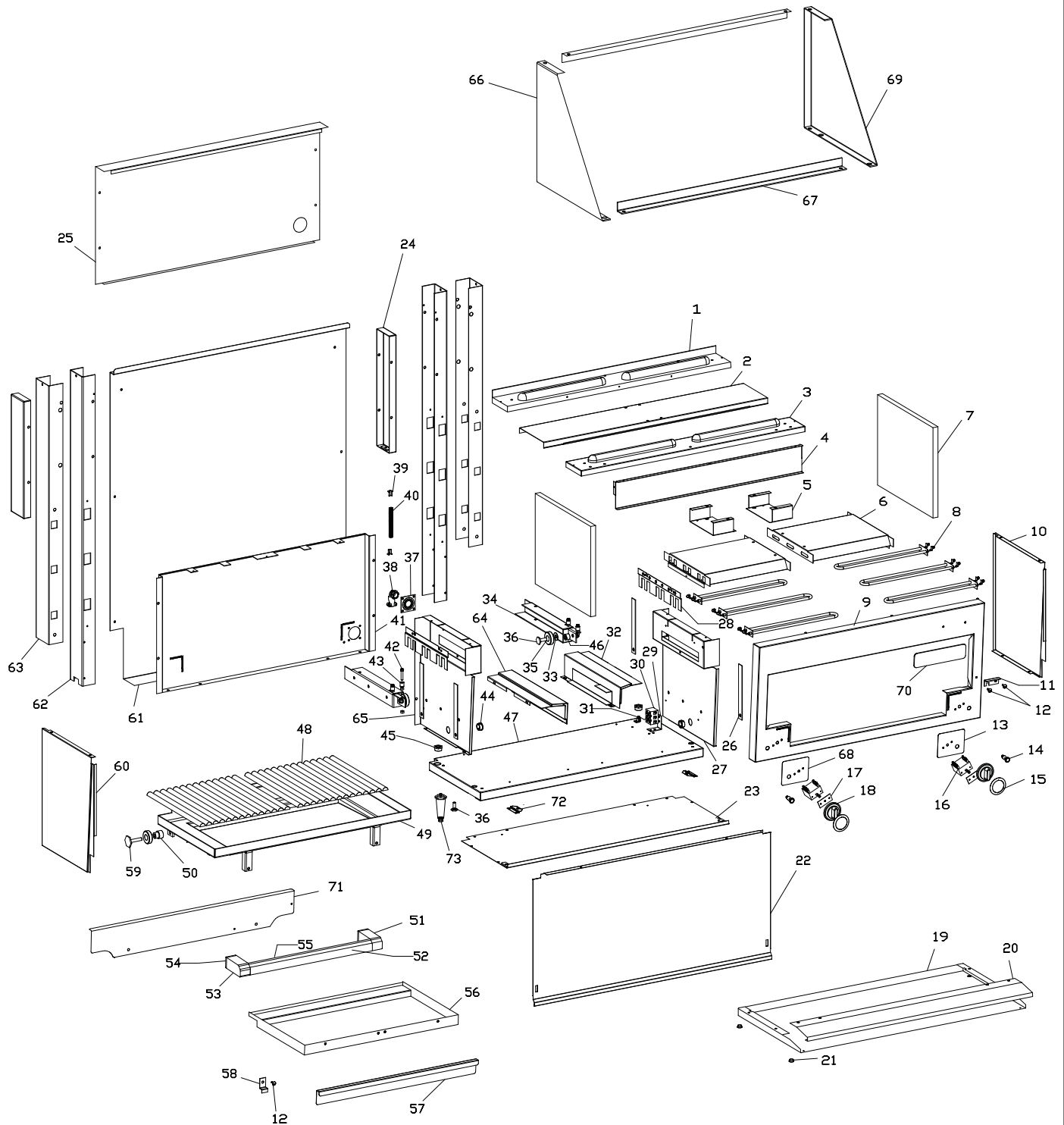
RECOMMENDED STOCK PARTS

GARLAND PARTS IDENTIFICATION
Electric Restaurant Range Top Section

ITEM	PART #	DESCRIPTION	QUANTITY	
			S/SS/SU 686(RC)	S/SS/SU 684(RC)
50	2611700	Terminal Block Mounting Plate	1	2
51	2685400	Overlay - RC Switch	Quantity varies with unit configuration.	
52	1729100	RC Switch		
53	2138700	Knob No Longer Available - See Page 20		
54	2685900	Dial Insert Oven °F		
	2685901	Dial Insert Oven °C		
	2139100	Dial Insert Sealed Elements		
	2139000	Dial Insert Tubular El., Hot Top		
	2138800	Dial Insert Griddle °F		
	2138801	Dial Insert Griddle °C		
55	G01296-2	Pilot Light - Amber		
56	2608499	Switch Panel 60"		
	2608498	Switch Panel 60" RC		
	2608497	Switch Panel 60" RC2		
	2608599	Switch panel 36"		
	2608598	Switch Panel 36" RC		
57	2685100	Overlay - HT, SE, TE		
	2685200	Overlay - Oven		
	2685300	Overlay - Griddle		
58	2487000	Relay 30A RC Oven Only		
59	3001100	Relay 20A RC Oven Only		
60	2693900	BX Conduit		
61	G01497-1	BX Connector		

* NOT ILLUSTRATED

RECOMMENDED STOCK PARTS



GARLAND PARTS IDENTIFICATION

Electric Salamander Broiler

ITEM	PART #	DESCRIPTION	QUANTITY			
			SERC	SUERC	SER-680	SUER-680
1	G01377-2-9	Main Top Back	1	1	1	1
2	G01376-2-9	Main Top Centre	1	1	1	1
3	G01375-1-9	Main Top Front	1	1	1	1
4	2688600	Front Brace	1	1	1	1
5	G02386-1-6	Element Pan Support	2	2	2	2
6	G02360-1-6	Element Radiation Pan	2	2	2	2
7	078100-16	FF Insulation .5"x14.5"x12.5"	2	2	2	2
8	G02359-1	Element - 208V	6		6	
	G02359-2	Element - 240V	6		6	
	G02359-3	Element - 230V	6	6	6	6
9	2688399	Front Frame Assembly	1	1	1	1
10	2567302	Main Side RH	1	1	1	1
11	G02461-1-9	Broiler Rack Stop (Marine Option)	1	1	1	1
12	F298	Truss Head Shoulder Bolt (Marine Option)	3	3	3	3
13	2685202	Overlay - RH	1	1	1	1
14	3000801	Indicator Lamp - Green	2	2	2	2
15	2693000	Dial Insert	2	2	2	2
16	4523164	3-Heat Switch, c-CSA-us (for Can/US markets)	2	2	2	2
	4523165	3-Heat Switch, CE	2	2	2	2
17	2699000	Switch Seal	2	2	2	2
18	2138705	Knob - No Longer Available - See Page 20	2	2	2	2
19	2612100	Heat Shield Bottom			1	1
20	2612000	Heat Shield Front			1	1
21	1473301	.5" Plug Button			4	4
22	2698200	Front Panel			1	1
23	2688099	Main Bottom Cover Assembly	1	1	1	1
	2688098	Main Bottom Cover Assembly - Stainless (Opt.)	1	1		
24	2567198	Support Bracket Assembly -Stainless	2	2		
25	2698800	Main Back - SERC, SUERC	1	1		
26	2699100	Insulation Retainer	2	2	2	2
27	2687900	Side Liner RH	1	1	1	1
28	2698700	Wire Guard	2	2	2	2
29	2171400	Terminal Block Mounting Bracket	1	1	1	1
30	2147300	Terminal Block	1		1	
	2147302	Terminal Block		1		1
31	G01500-1	Ground Lug	1	2	1	2
32	2688499	Switch Housing Assembly - RH	1	1	1	1
33	G01247-1-8	Washer Bearing	2	2	2	2
34	G02469-1-81	Roller Guide Assembly - RH	1	1	1	1
35	G01244-1	Roller Bearing	4	4	4	4
36	F157	3/8-16x1.250 Leg Leveler Screw	6	6	2	2
37	G1053-2-8P	Knockout Plate	1	1	1	1
38	1028500	90 Degree Romex Connector			1	1
39	1029600	Antishorts			2	2
40	2693900	Flexible BX Cable			.762 m	.762 m
41	2698400	Flue Back	1	1	1	1
42	F531	1/4-20UNCX1.25" Fillister Head Screw -304SS	4	4	4	4
43	G01989-1-8	Post Bearing .5"Dia.x.5"	4	4	4	4
44	G01487-8	Heyco SB87511 Bushing	2	2	2	2
45	G01507-1	Chase Nipple c/w Locknut	2	2	2	2
46	G01247-2	Front Bearing Bushing	2	2	2	2
47	2688100	Main Bottom	1	1	1	1
48	4520649	Rack	2	2	2	2

* NOT ILLUSTRATED

RECOMMENDED STOCK PARTS

GARLAND PARTS IDENTIFICATION

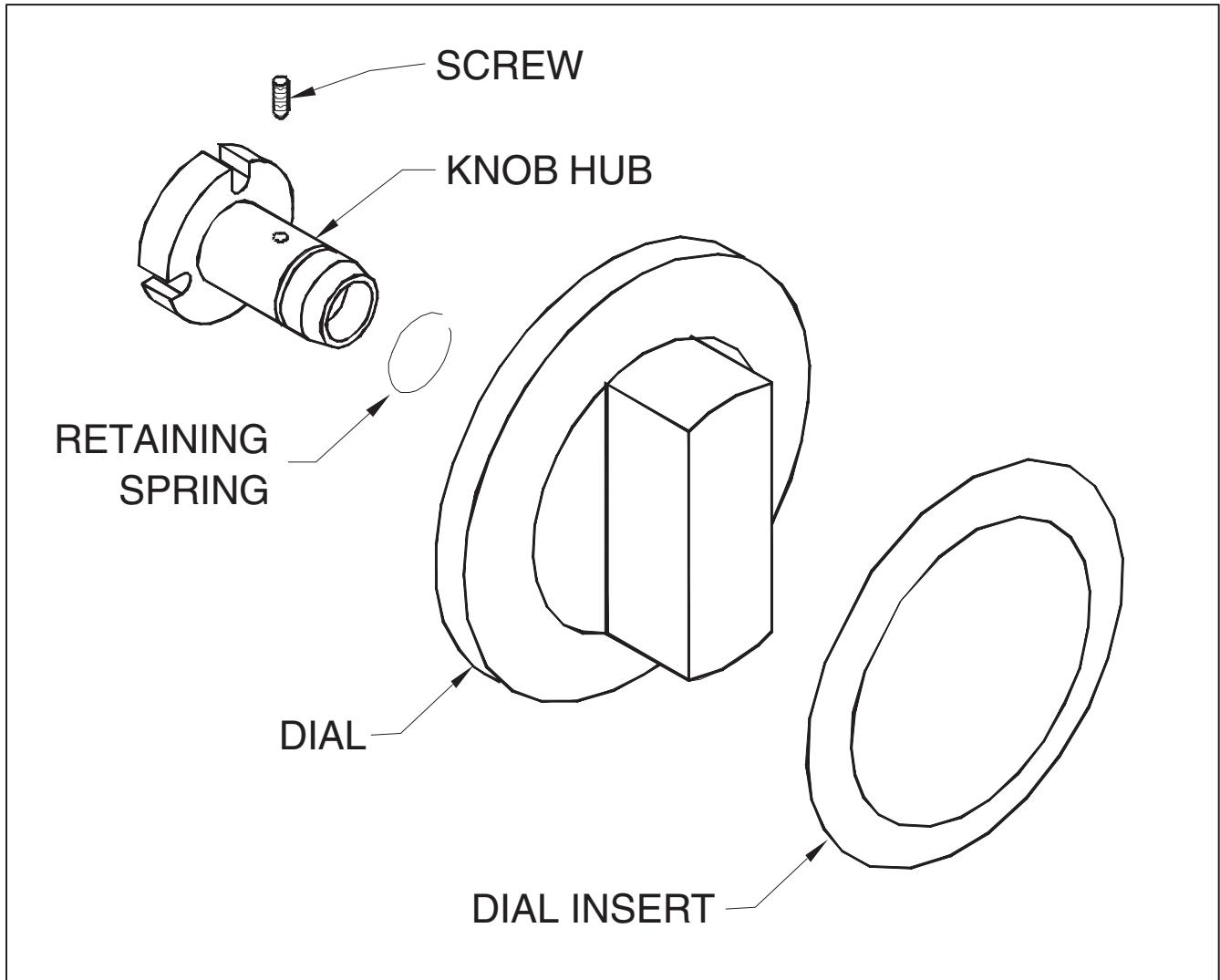
Electric Salamander Broiler

ITEM	PART #	DESCRIPTION	QUANTITY			
			SERC	SUERC	SER-680	SUER-680
49	2593099	Rack Frame/Grease Chute Assembly	1	1	1	1
50	G01247-3	Rear Bushing	2	2	2	2
51	2559100	Handle End - RH	1	1	1	1
52	2690402	Handle Overlay	1	1	1	1
53	2559101	Handle End - LH	1	1	1	1
54	2580600	Handle End Insert	2	2	2	2
55	2193101	Extruded Handle	1	1	1	1
56	2601300	Grease Tray	1	1	1	1
57	2540700	Grease Tray Front	1	1	1	1
58	3000500	Grease Pan Stop (Marine Option)	1	1	1	1
59	G6424	Glider Bolt 3/8-16x2"	2	2	2	2
60	2567303	Main Side LH	1	1	1	1
61	2698500	Main Back (Std.)			1	1
	2698501	Main Back - Stainless (Option)			1	1
62	2698300	Upright			2	2
63	2698600	Upright Veneer			2	2
64	2688498	Switch Housing Assembly - LH	1	1	1	1
65	2687901	Side Liner LH	1	1	1	1
66	2582603	Wall Mount Bracket LH (Wall Mount Kit Option)	1	1		
67	G01467-1-5	Angle Bracket (Wall Mount Kit Option)	2	2		
68	2685201	Overlay - LH	1	1	1	1
69	2582602	Wall Mount Bracket RH (Wall Mount Kit Option)	1	1		
70	4529124	Nameplate, Garland, Large	1	1	1	1
71	2592600	Rack Frame Assembly Front Veneer	1	1	1	1
72	G02463-1-9	Tie Down Bracket	2	2		
73	078109-2	4" Adjustable Metal Leg	4	4		

* NOT ILLUSTRATED

RECOMMENDED STOCK PARTS

NOTES



KNOB REPLACEMENT GUIDE

KIT NUMBER	DESCRIPTION	OLD KNOB REFERENCE			REPLACEMENT KIT CONTENTS					
		OLD PART NUMBER	MODEL SERIES	Did old part require a dial insert? yes/no	KNOB PART NUMBER	HUB PART NUMBER	DIAL INSERT PART NUMBER	HUB RETAINING SPRING	SET SCREW	APPLICATION DESCRIPTION
4512109	KNOB KIT, 2138700,2685900	2138700	S680	2685900	3043100	3043207	2685900	3043300	None	Oven F
4512110	KNOB KIT, 2138700,2685901	2138700	S680	2685901	3043100	3043207	2685901	3043300	None	Oven C
4512111	KNOB KIT 2138700,2138800	2438700	ED,S680	2138800	3043100	3043207	2138800	3043300	None	Griddle F
4512112	KNOB KIT 2138700,2138801	2138700	ED,S680	2138801	3043100	3043207	2138801	3043300	None	Griddle C
4512115	KNOB KIT 2138700,2139000	2138700	ED,S680	2139000	3043100	3043207	2139000	3043300	None	Infinite Switch
4512135	KNOB KIT 2138700,2139100	2138700	ED,S680	2139100	3043100	3043206	2139100	3043300	F561,F562	6 heat switch
4512137	KNOB KIT 2138705,2693000	2138705	ED,S680	2693000	3043100	3043208	2693000	3043300	F561,F562	SERC/SER680 3 Heat Switch



4519723 S/S Adjustable Leg
Used from July 3, 2004
Only Available as an Assembly



1027699 - 6" Leg Retainer Assembly
Used up to: July 3, 2004

1027600 – Leg Retainer 6"
1150502 – Leg Bullet

GARLAND PARTS IDENTIFICATION Revision History

REV	PAGE #	ITEM#	NOTES	DATE
10	4, 7	59	Added new part number	Mar 28/05
	8, 11	85		
11	8, 11	86	Added motor assembly part number for purchase	May 10/05
12	6	56, 57, 58	Added Date and corresponding photos at end (Footprint)	Jun 15/05
	11	81, 82, 85		
	26		New page for photographs	
13	12		New drawing	Jun 24/05
	13	17B	Added new part numbers	
		17A	Item 17A was item 17	
14	13	19	Changed description for part G01816-4. Was 240V	Aug 29/05
			Added Element 208V to part G01816-1	
15	12	23A, 23B	Updated drawing	Dec 5/05
	13	23A	Changed item description. Was item 23.	
		23B	Added new part number	
16	8	17A	Added item 17A. Modified drawing.	Jan 2/07
	9	17A	Added new part number and note.	
		17B, 17C	Changed descriptions.	
17	21, 22, 23, 24, 25		<ul style="list-style-type: none"> Removed pages. Was Bulletin # B-92-2002. Updated Table of Contents 	Jan 8/07
18	6, 11	50, 67	<p>New Door Spring 4512250 replaced the old one 1005800. Info on the first unit manufactured with the new Door Spring 4512250:</p> <ul style="list-style-type: none"> Model: SS684-0054 Serial: 1106100100252 Date: June 8/11 	Nov 10/11
19	9, 10	4, 10, 42	Insulation changed: 4527369 replaced 1309022; 4527368 replaced 1309021.	Dec 1/11
	9	24	New Air Baffle Support Bracket Asm Kit CK226 replaced 1361299	
	10, 17	38, 48	New Oven Racks: 4522409 replaced 2301200; 4520649 replaced G02468-01-5	
	14, 17	46, 16	New 6-Heat Switch: 4523166/4523167 replaced 2146900; 4523164/4523165 replaced G02667-1	
	14	52	New Oven Switch: 4527835 replaced 1729100	
	18	73	New Legs: 078109-2 replaced 078109-1 (OBS). Both are 4" legs.	
			Replaced old digital Garland logo with the new where applicable.	
	6	31	Removed Bulletin info as no longer applicable.	
	10	54	<ul style="list-style-type: none"> Removed Bulletin info as as no longer applicable. Revised Part#: 2687000/1/2 were 2688700/1/2. 	
	13	18	New Splash Guards replaced the old ones: 3051000/2/3 replaced 1281999/8/7.	
	6, 11	58, 83	Added new casters for the UK market: 4519839 and 4519840.	
18	70	New Garland Nameplate 4529724 replaced 1902918.		
6, 11	60, 87	Added new Garland Nameplate Part# 4529724.		
20	4 - 6	12A/B	Removed item 12. Corrected 12A p/n.	Mar 8/13

 **Garland**[®]

 **Manitowoc**