



Item: _____
 Quantity: _____
 Project: _____
 Approval: _____
 Date: _____

Heavy Duty Gas Radiant Char-Broilers w/Adjustable or Non-Adjustable Grates

Models:

- | | | | |
|--------------------------------------|--------------------------------------|--------------------------------------|--------------------------------------|
| <input type="checkbox"/> GTBG24-AR24 | <input type="checkbox"/> GTBG36-AR36 | <input type="checkbox"/> GTBG48-AR48 | <input type="checkbox"/> GTBG60-AR60 |
| <input type="checkbox"/> GTBG24-NR24 | <input type="checkbox"/> GTBG36-NR36 | <input type="checkbox"/> GTBG48-NR48 | <input type="checkbox"/> GTBG60-NR60 |



Model GTBG24-AR24

Standard Features:

- SS front, sides and back
- 4" SS adjustable legs
- 3/4" NPT gas regulator with "T" gas manifold connection for straight through rear or flush-mount gas connections.
- 3 1/2" deep SS front rail
- SS large capacity crumb tray
- Reversible cast iron broiler racks in 3" wide sections
- 21-1/2" (546mm) broiling grid depth
- 2-position adjustable broiler grates or fixed-position non-adjustable grates
- One cast iron radiant over a 18,000 BTU burner for every 6" of broiler width.
- One valve control for each burner.

Optional Features:

- Stainless steel stand with solid top shelf and holding self. Stands are standard with a set of casters (locking front)
- SS skirt for dais/counter surface mounting.
- SS spatter-guard
- Removable wire holding shelf for spatter guards available for 24" and 36" models
- Broiler grate cleaning tool
- Fajita broiling grate: 9" wide, replaces 3 standard grate sections on the left or right end of the broiler. Limit one per broiler.

Garland gas radiant broilers are available with adjustable or non-adjustable cooking racks, in four nominal imperial widths from 24"(600mm) to 60"(1500mm). 13" (330mm) high and 32" (814mm) deep. Reversible cast iron grates in 3" (76mm) wide sections overall cooking area depth 21 1/2" (546 mm). One 18,000 BTU burner with individual valve control per 6" of broiler width. Large stainless steel catch tray, stainless steel front, sides, and back.



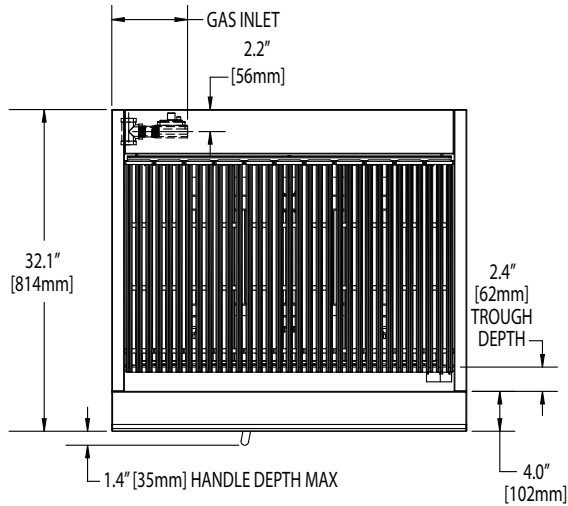
Garland Commercial Industries, LLC
 185 East South Street
 Freeland, PA 18224
 Phone: (570) 636-1000
 Fax: (570) 636-3903

Garland Commercial Ranges Ltd
 1177 Kamato Road,
 Mississauga, Ontario
 L4W 1X4 CANADA
 Phone: 905-624-0260
 Fax: 905-624-5669

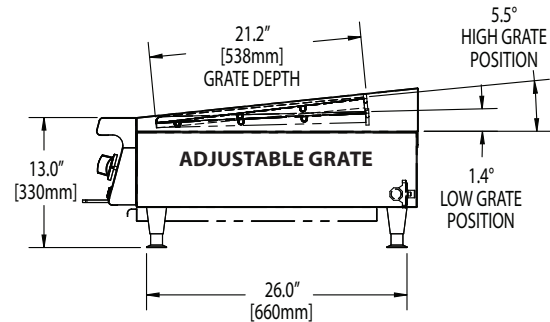
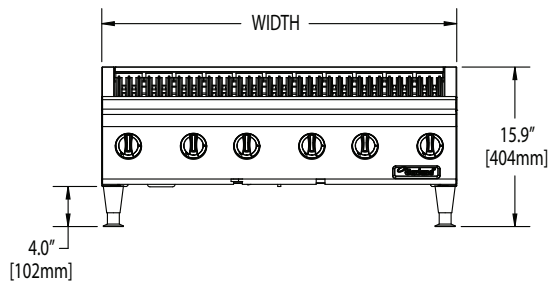
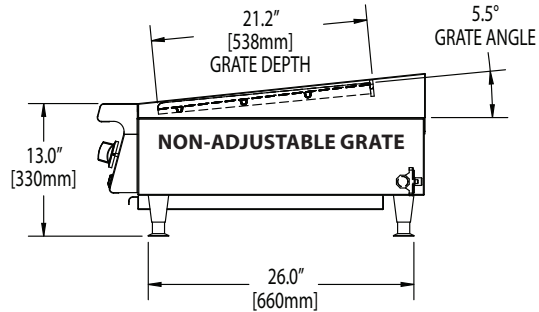




Heavy Duty Gas Radiant Char-Broilers



Garland/U.S. Range products are not approved or authorized for home or residential use, but are intended for commercial applications only. Garland / U.S. Range will not provide service, warranty, maintenance or support of any kind other than in commercial applications.



| Model # | Width In (mm) | Height (w/std legs) | Depth In (mm) | Total Input (BTU) | Shipping Information | |
|-----------------------------------|------------------|------------------------|------------------|----------------------|----------------------|-------|
| | | | | | Lbs/Kg | Cu Ft |
| With Adjustable Grates | | | | | | |
| GTBG24-AR24 | 23-5/8 (600) | 13 (330) | 32 (814) | 72,000 | 283/129 | 19 |
| GTBG36-AR36 | 35-7/16 (900) | | | 108,000 | 391/178 | 26 |
| GTBG48-AR48 | 47-1/4 (1200) | | | 144,000 | 514/283 | 34 |
| GTBG60-AR60 | 59-1/16 (1500) | | | 180,000 | 635/288 | 41 |
| With Non-Adjustable Grates | | | | | | |
| GTBG24-NR24 | 23-5/8 (600) | 13 (330) | 32 (814) | 72,000 | 283/129 | 18 |
| GTBG36-NR36 | 35-7/16 (900) | | | 108,000 | 391/178 | 25 |
| GTBG48-NR48 | 47-1/4 (1200) | | | 144,000 | 514/283 | 33 |
| GTBG60-NR60 | 59-1/16 (1500) | | | 180,000 | 635/288 | 40 |

| SUPPLY OPERATING PRESSURE | | | | MANIFOLD OPERATING PRESSURE | | | | INSTALLATION CLEARANCES |
|---------------------------|------|---------|------|-----------------------------|------|---------|------|-------------------------|
| NATURAL GAS | | PROPANE | | NATURAL GAS | | PROPANE | | |
| "WC | MBar | "WC | Mbar | "WC | MBar | "WC | Mbar | |
| 7 | 17.5 | 11 | 27.5 | 4.5 | 11 | 10 | 24.5 | |

**CLEARANCE: 0"
FOR INSTALLATION IN
NON-COMBUSTIBLE
SURROUNDINGS ONLY**

Note: For use with Natural or Propane gas only.

Form# GTBG-AR-NR (05/20/10)

Garland Commercial
Industries, LLC
185 East South Street
Freeland, PA 18224
Phone: (570) 636-1000
Fax: (570) 636-3903

Garland Commercial Ranges Ltd
1177 Kamato Road,
Mississauga, Ontario
L4W 1X4 CANADA
Phone: 905-624-0260
Fax: 905-624-5669

