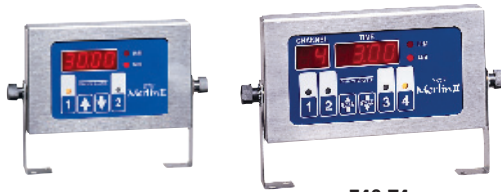


## 740 SERIES SINGLE-FUNCTION TIMERS



740-T2 / 740-T2 HW

740-T4



740-T8

Ideal for many kitchen applications, including monitoring frying, grilling and prep stations, and tracking coffee-making and employee handwashing. Quite simply, if a kitchen task needs to be timed or monitored, Prince Castle timers can help manage these tasks.

These simple-to-use timers countdown in hours and minutes or minutes and seconds. Up and down scan buttons make each channel easy to program. Each channel is activated with a push of a button. A digital channel display shows the active channel.

LED channel indicators change colors during the timing cycle depending on the stage of the countdown: the light is green during the first 70% of the cycle, then turns yellow during the next 20% of the cycle, and finally turns red during the last 10% of the cycle. A dual tone volume alarm and flashing channel indicator alert the operator when timing is complete.

The 740-T2HW handwashing timer is pre-programmed for a one-hour cycle.

### NEXT GENERATION OF TIMING:

The next generation of timing systems is here. The 740 Series Single-Function Timers are designed to be easier to use, give you more flexibility, and ensure utmost accuracy. The 740 Series timers feature an ultra-slim design with a "fat plug" transformer. Two, four, eight and twelve channel units are available.

### STANDARD FEATURES:

- Digital channel display shows the active channel.
- New multi-colored LED channel indicators show the status of the timing cycle and provide early warning as the countdown expires.
- Lightweight ultra-slim 1 inch (2.5 cm) thick design and extra long 10 foot (3 m) line cord let you mount these units virtually anywhere.
- Each channel can be programmed independently, and all channels can be used simultaneously.
- The two-tone alarm is adjustable for either high or low sound levels.
- Includes menu labels to identify channels: Burgers, Steak, Chicken, Fish, Fries and blank stickers.

- Includes set of 3<sup>1/2</sup> inch (8.9 cm) mounting brackets. For increased mounting flexibility, flush mount brackets are available.
- One year warranty.

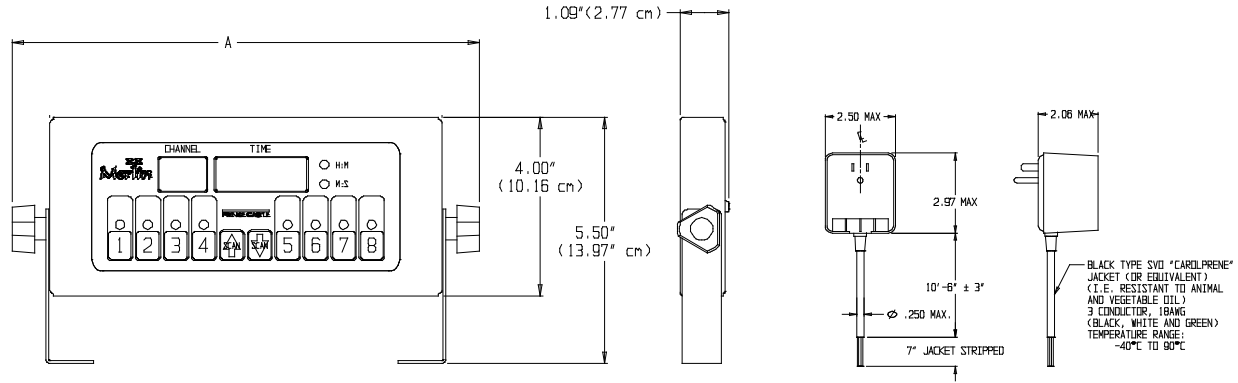


740-T12

# 740 SERIES SINGLE-FUNCTION TIMERS

## SPECIFICATIONS

### LAYOUT:



Designs and specifications are subject to change without notice.

### DIMENSIONS:

Model Number	Width (A) in (cm)	Height in (cm)	Depth in (cm)	Shipping Weight lb (kg)	Shipping cu.ft. (cu.m.)
740-T2	7.87 (19.99)	4.00 (10.16)	1.09 (2.77)	4.00 (1.80)	.30 (.01)
740-T2HW	7.87 (19.99)	4.00 (10.16)	1.09 (2.77)	4.00 (1.80)	.30 (.01)
740-T4	8.93 (22.68)	4.00 (10.16)	1.09 (2.77)	4.00 (1.80)	.30 (.01)
740-T8	10.43 (26.49)	4.00 (10.16)	1.09 (2.77)	5.00 (2.30)	.30 (.01)
740-T12	12.93 (32.84)	4.00 (10.16)	1.09 (2.77)	5.00 (2.30)	.32 (.01)

### ORDERING INFORMATION:

Model	Description	Volts (Single Phase)	HZ.	Watts	AMPS	Plug Number
740-T2	2-Channel Single-Function Timer	120	60	10 max	.083 max	NEMA 5-15P
740-T2HW	2-Channel Handwashing Timer	120	60	10 max	.083 max	NEMA 5-15P
740-T4	4-Channel Single-Function Timer	120	60	10 max	.083 max	NEMA 5-15P
740-T8	8-Channel Single-Function Timer	120	60	10 max	.083 max	NEMA 5-15P
740-T12	12-Channel Single-Function Timer	120	60	10 max	.083 max	NEMA 5-15P

### CERTIFICATIONS:

