

Connectionless Steamer Powered by Microwave Technology

NE-3280

This Commercial Microwave Oven by Panasonic is ideal for heavy volume steaming and microwave applications in restaurants, banquets, supermarkets, delicatessens, school food service, health care and institutional catering.

- 3200* Watts of Cooking Power
- Large Oven Capacity: 1.6 Feet
- Door Opens Down to Hold Pans
- Top and Bottom Energy Feed
- Holds two 4" Tall, Full-size Steam Table Pans with Covers**

**SONIC
STEAMER®**



Panasonic ideas for life

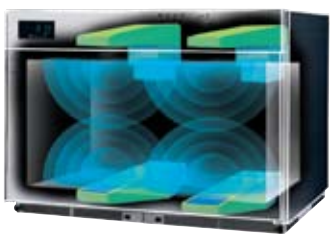


Central Restaurant Products


NE-3280 Connectionless Steamer Powered by Microwave Technology

Additional Features:

- Stainless Steel Cabinet and Cavity
- 4 Magnetrons (Heating Sources)
- 8 Programmable Memory Pads
- 16 Memory Capability
- 5 Power Levels
- 3-Stage Cooking
- Program List/Cycle Counter
- Programmable or Dial Timer
- Easy to Clean Air Filters
- See-Through Oven Door
- Easy to Change Interior Oven Light
- Digital Display
- Self Diagnostics
- Shift Key (AM-PM)
- Removable Center Shelf
- Variable "Beep"
- Chef Technical Support
- Will Ship via UPS
- NSF & UL Commercial Approved



Top & Bottom Energy Feed

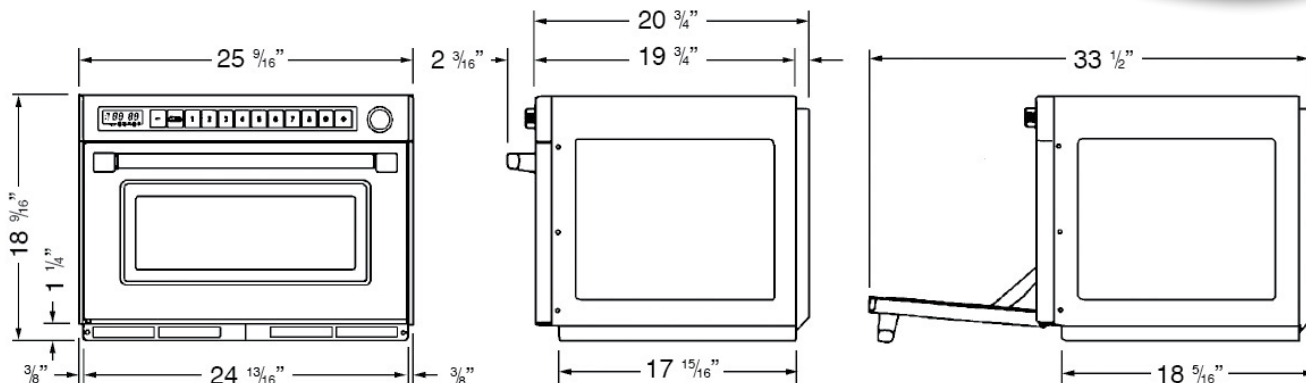
| NE-3280 | |
|---------------------------|---|
| Power Source | 208/230-240V, 60Hz Single Phase |
| Receptacle Required | 30 Amp, NEMA 6-30R  |
| Frequency | 2,450MHz |
| Required Power | 208V (28.0A), 230-240V (25.3A) |
| Output | 3200 Watts* |
| Outer Dimensions (wxdxh) | 25 ⁹ / ₁₆ " x 20 ³ / ₄ " x 18 ⁹ / ₁₆ " |
| Cavity Dimensions (wxdxh) | 21 ¹ / ₁₆ " x 13" x 9 ⁷ / ₈ " |
| Net Weight | 137 lbs. |
| Shipping Weight | 148 lbs. |
| Shipping Box Size (wxdxh) | 29 ⁷ / ₈ " x 26 ¹ / ₈ " x 22 ¹ / ₄ ", 9.9 cu. ft. |
| Timer | Maximum Times for Each Stage of Cooking – Hi & Med. Power=15 Min. – Low, Defrost & Hold=60 Min. |
| Memory Capability | 16 Programs |

Stainless Steel Cabinet and Cavity

The stainless steel cabinet and cavity makes for easy cleaning.

To Specify a Panasonic Commercial Microwave Oven

The NE-3280 Commercial Microwave Oven meets or exceeds all safety performance and sanitation standards set for commercial food service microwave ovens by UL, DHHS, FCC and NSF. Plus, oven shall have output power 3200 Watts*, equipped with 4 magnetrons, top and bottom energy feed, door opens down to hold pans with Grab & Go door handle, removable center shelf, 8 programmable pads, 16 memories, shift key (AM-PM), 3-stage cooking, 5 power levels (HI, MED., LOW, DEF., HOLD), programmable lock, cycle counter, volume/tone, self diagnostics, dial timer to select cooking time, video training and Chef/Test Kitchen technical support. 3-year warranty, parts & labor.



* I.E.C. 60705-88 Test Procedure. Specifications subject to change without notice.

Panasonic ideas for life

Panasonic Home & Commercial Appliance Group
Panasonic Corporation of North America
Executives Offices: One Panasonic Way, Panazip 1H-2
Secaucus, NJ 07094

Toll-free: **877-CMO-OVEN (266-6836)**
Sales Support, Recipes and Training at: www.panasonic.com/cmo

For a Panasonic Distributor/Services nearest you, 1-800-350-9590