



KM-650M_J

SLIM-LINE MODULAR CRESCENT CUBER



KM-650M_J
12/06/17
Item # 13168

Item #: _____
 Project: _____
 Qty: _____
 AIA#: _____

W x D x H
22" x 27³/₈" x 30⁵/₁₆"
 Shipping Dimensions
 25¹/₄" x 33" x 36"

KM Edge DESIGN

KM-650MAJ
Air-Cooled

Shown on optional bin B-300

KM-650MWJ
Water-Cooled

KM-650MRJ ★
Remote Air-Cooled



Features

- ▶ Individual crescent cube
- ▶ Stainless steel evaporator
- ▶ CycleSaver™ design

- Up to 647 lbs. of ice production per 24 hours
- Durable stainless steel exterior
- Protected by H-GUARD Plus Antimicrobial Agent
- EverCheck™ alert system
- Mount two units side-by-side for 1,294 lbs. per 24 hours (in only 44" of floor space)
- Removable air filters (Air-cooled model only)
- R-404A Refrigerant

Available on Bins:

B-250PF B-500PF/SF B-800PF/SF B-1150SS DB-130H DM-200B
B-300PF/SF B-700PF/SF B-900PF/SF B-1300SS DB-200H

Top kit may be required. See Bin Spec Sheets.

Warranty:

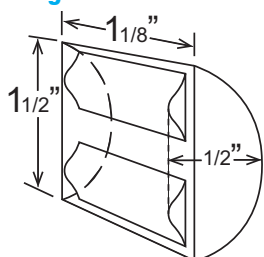
3 Year Parts & Labor on entire machine. 5 Year Parts & Labor on Evaporator. 5 Year Parts on Compressor; air-cooled condenser coil. Valid in United States, Canada, Puerto Rico and U.S. Territories. Contact factory for warranty in other countries.



Condenser	Model	ICE PRODUCTION		WATER USAGE		ELECTRICAL*							
		Air / Water Temp Lbs. per 24 hours 70°/50°F 90°/70°F	Potable Gal. per 100 lbs. 90°/70°F	Condenser Gal. per 100 lbs. 90°/70°F	kWh Used per 100 lbs. 90°/70°F	Max. Fuse Sz or HACR Circuit Bkr	Amperage	Voltage	Circuit Wires (including ground)	Heat Rejection BTU/hr.	Refrigerant Charge Amount	Net / Ship Weight (lbs.)	
Air	KM-650MAJ	630	562	14.2	N/A	5.4	20A	14.8A	115V/60/1	3	10,400	1 lb. 5 oz.	152 / 176
Water	KM-650MWJ	647	635	15.1	145	4.4	20A	12.6A	115V/60/1	3	11,100	15.2 oz.	152 / 176
Remote	KM-650MRJ	632	564	15.0	N/A	5.3	20A	16.1A	115V/60/1	3	10,200	4 lb. 4.8 oz.	146 / 170

*If neutral is not available, transformer kit (HS-5030) is required. Refer to instruction manual for installation and electrical requirements.

KM Edge Cube Dimensions†



† approximate size in inches, image not to scale

Operating Limits

- Ambient Temp Range 45 - 100°F
- Water Temp Range 45 - 90°F
- Water Pressure 10 - 113 PSIG
- Voltage Range 104-127V

Service

- Panels easily removed and all components accessible for service.
- Allow 6" (15 cm) clearance at rear, sides, and top for proper air circulation and ease of maintenance/service.

Plumbing

- Icemaker Water Supply Line: Min. 1/4" Nominal ID Copper Water Tubing or Equivalent
- Icemaker Drain Line: Min. 3/4" Nominal ID Hard Pipe or Equivalent Water-Cooled Model (Lines Must Be Independent of Icemaker)
- Condenser Water Supply Line: Minimum 1/4" Nominal ID Copper Water Tubing or Equivalent
- Condenser Drain/Return Line: Minimum 1/4" Nominal ID Hard Pipe (open drain system) or Copper Water Tubing (closed loop system) or Equivalent

Water Filter

Please refer to water filter specification sheet for recommendations.



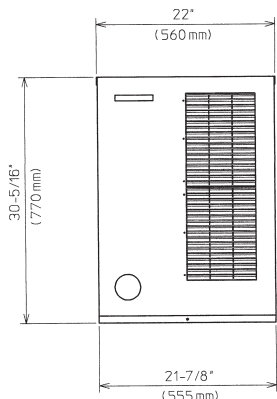
KM-650M_J

SLIM-LINE MODULAR CRESCENT CUBER

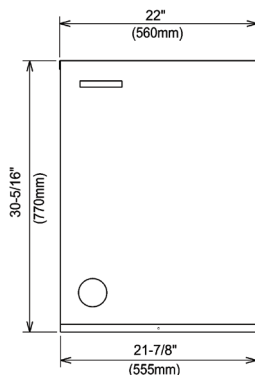


KM-650M_J
12/06/17
Item # 13168

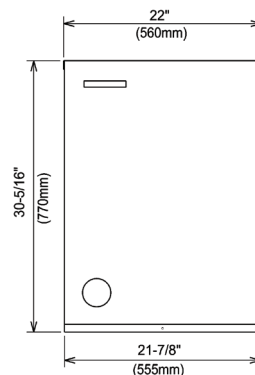
FRONT VIEW



AIR-COOLED

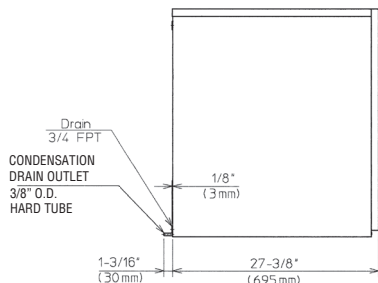


WATER-COOLED

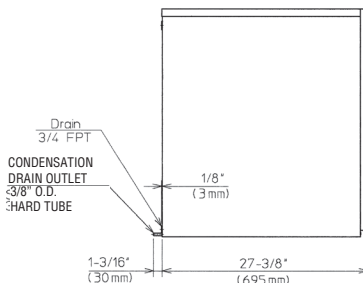


REMOTE AIR-COOLED

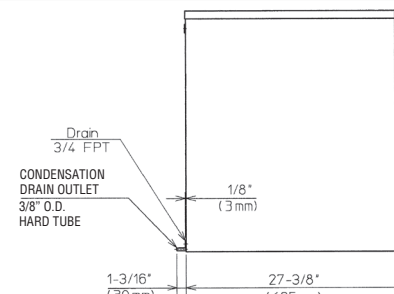
SIDE VIEW



Front



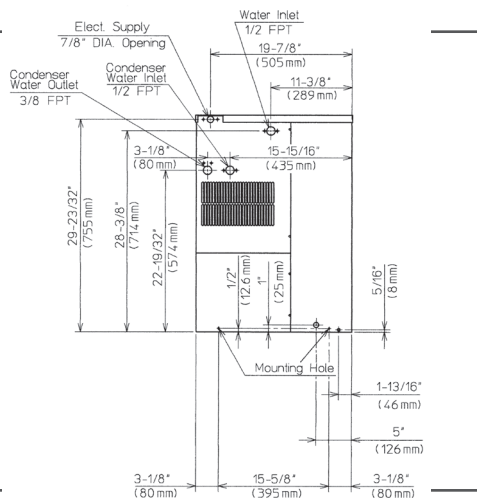
Front



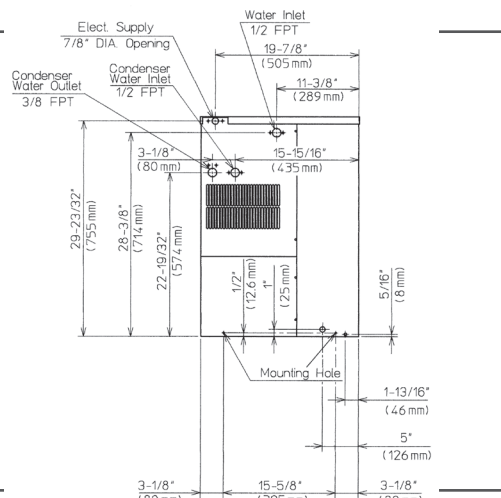
WATER-COOLED

REMOTE AIR-COOLED

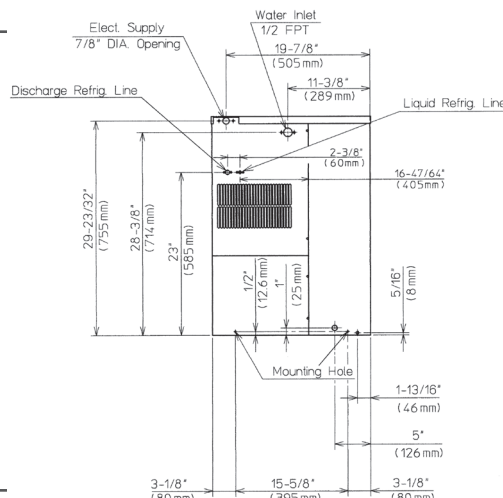
REAR VIEW



AIR-COOLED

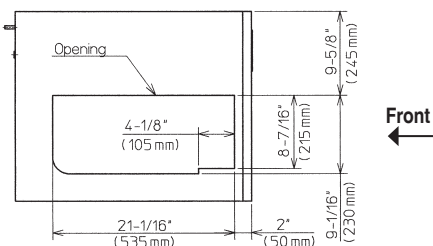


WATER-COOLED



REMOTE AIR-COOLED

BOTTOM VIEW



AIR-COOLED
WATER-COOLED
REMOTE AIR-COOLED

Front



Voltage supply for the URC Remote Condenser is supplied from the Ice Maker. No additional circuit is required.

URC-5F Remote Condenser (Sold Separately)
(W x D x H) 21^{13/16} x 14^{1/16} x 32^{13/16}
For Use with KM-650MRJ

