



# HOSHIZAKI

## Parts List

Modular Crescent Cuber

Models

KM-350MAJ, MWJ

KM-520MAJ, MWJ, MRJ

KM-660MAJ, MWJ, MRJ



[hoshizakiamerica.com](http://hoshizakiamerica.com)

Number: 71416  
Issued: 8-29-2018  
Revised: 7-28-2020

## CONTENTS

Auxiliary Codes.....	3
Note About Ordering Parts .....	3
A. Main Assembly and Refrigeration Circuit.....	4
KM-350MAJ, KM-520MAJ, KM-660MAJ .....	4
KM-350MWJ, KM-520MWJ, KM-660MWJ .....	6
KM-520MRJ, KM-660MRJ .....	8
B. Water Circuit .....	10
C. Control Box Assembly .....	12
D. Accessories & Labels .....	14

## Auxiliary Codes

### **KM-350MAJ**

H-0 May 2018  
J-0 January 2019  
K-0 January 2020

### **KM-350MWJ**

H-0 May 2018  
J-0 January 2019  
K-0 January 2020

### **KM-520MAJ**

H-0 May 2018  
J-0 January 2019  
K-0 January 2020

### **KM-520MWJ**

H-0 May 2018  
J-0 February 2019  
K-0 January 2020

### **KM-520MRJ**

H-0 May 2018  
J-0 January 2019  
K-0 February 2020

### **KM-660MAJ**

H-0 May 2018  
J-0 January 2019  
K-0 January 2020

### **KM-660MWJ**

H-0 May 2018  
J-0 January 2019  
K-0 January 2020

### **KM-660MRJ**

H-0 May 2018  
J-0 January 2019  
K-0 February 2020

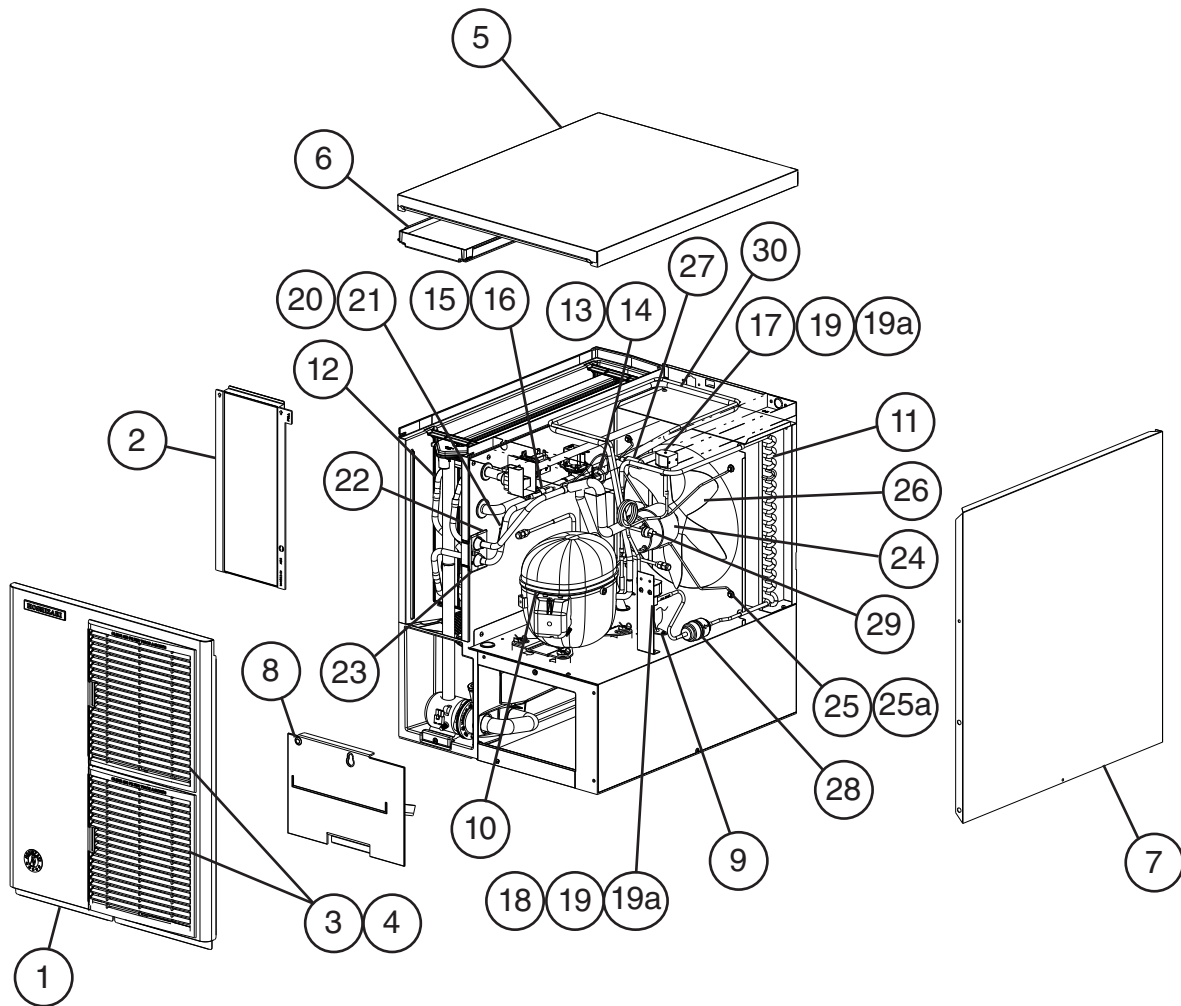
## Auxiliary Code Breakdown

The auxiliary code is the first two characters in the serial number. The first character indicates the year. Years progress or regress in alphabetical order. The series runs from "A" through "V" and the letters "I" and "O" are skipped. The second character indicates significant part changes within a year. Base is "0" and this number advances for each change. In cases where there is a letter in parentheses, this designates the month. This is the last character in the serial number. The series runs from "(A)" through "(M)" and the letter "(I)" is skipped. This designation is only included when identifying a parts change within an auxiliary code.

## Note About Ordering Parts

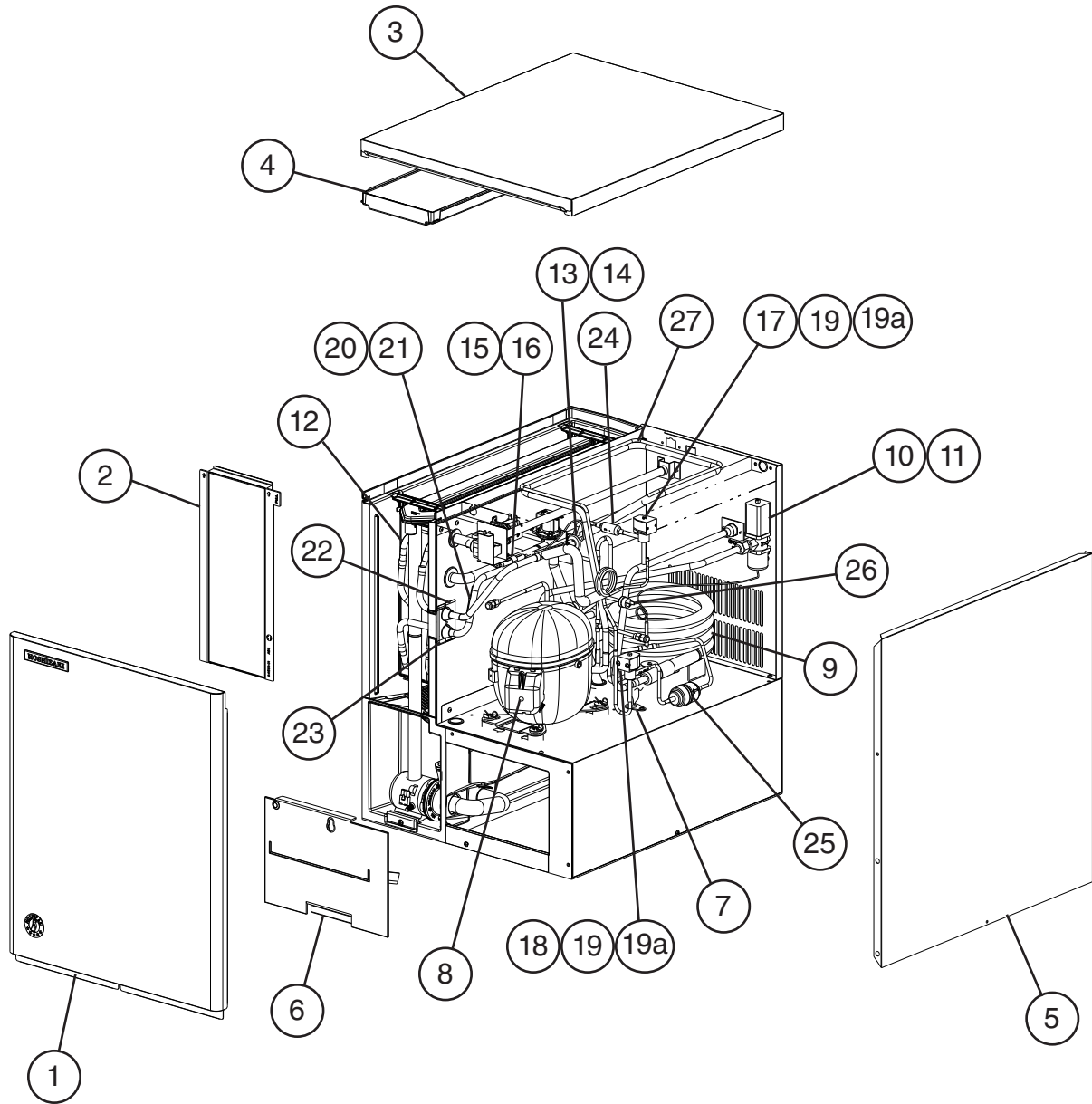
Most assemblies cannot be ordered as complete units; parts in the assemblies generally must be ordered separately.

**A. Main Assembly and Refrigeration Circuit**  
**KM-350MAJ, KM-520MAJ, KM-660MAJ**  
H-0, J-0



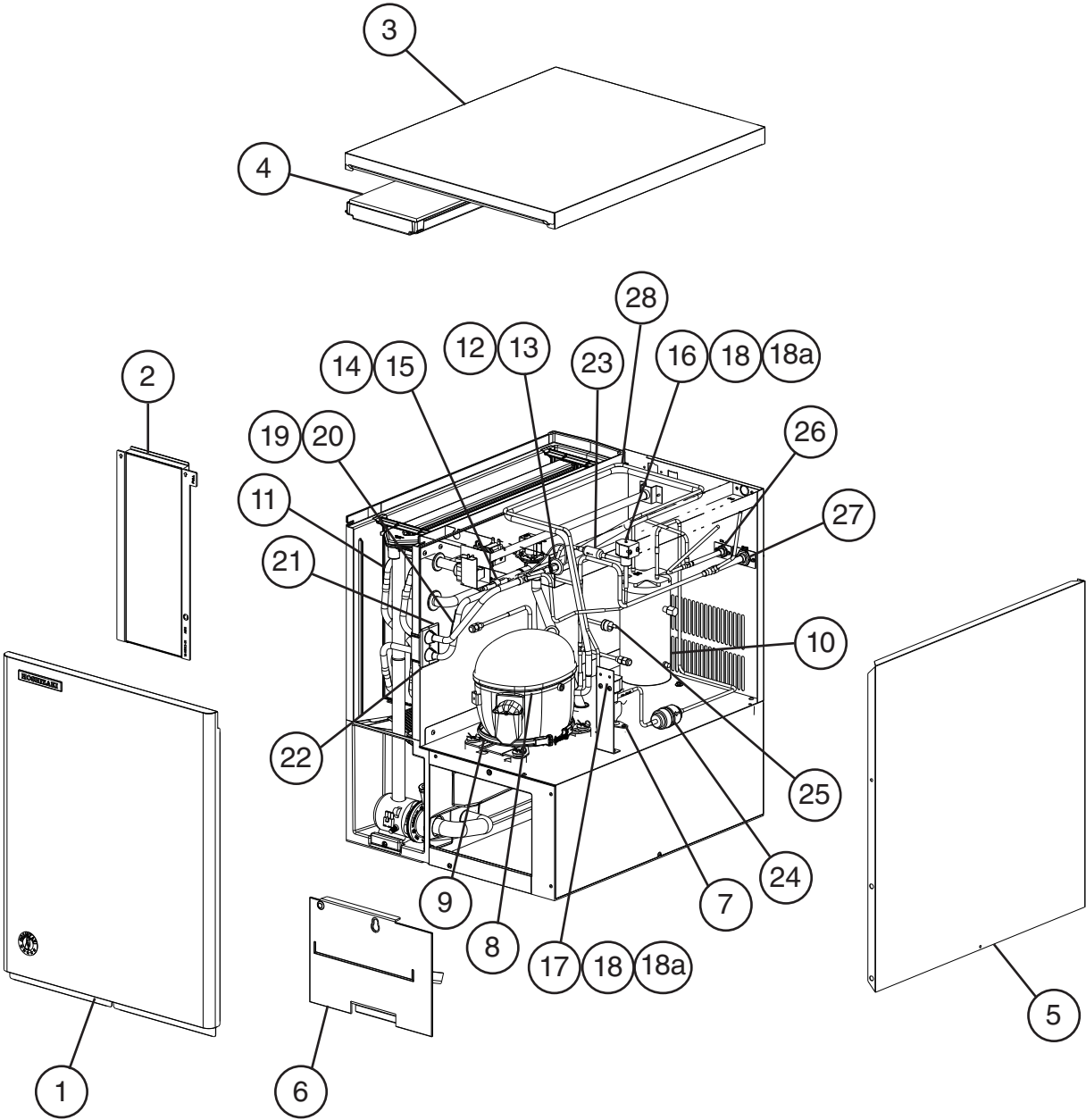
<b>Title: A. Main Assembly and Refrigeration Circuit Model: KM-350MAJ, KM-520MAJ, KM-660MAJ</b>											
Index No.	Description	Material or Model Number	Part Number	Required Number							
				H-0							
<b>Main Assembly</b>											
1	Front Panel		1A5319G01	1							
2	Front Insulation		3A9354G01	1							
3	Louver (includes item 4)		2A6649A01	2							
4	Air Filter		2A2062G01	2							
5	Top Panel		1A5321G01	1							
6	Top Insulation		3A9353G01	1							
7	Right Side Panel		1A5004-01	1							
8	Base Cover		3A9771-01	1							
9	Ultra Sonic Bin Control		4A6148G01	1							
<b>Refrigeration Circuit</b>											
10	Compressor	KM-350MAJ	4A5090-01	1							
		KM-520MAJ	4A4479-01	1							
		KM-660MAJ	4A5158-01	1							
11	Condenser	KM-350MAJ	1A4582-01	1							
		KM-520MAJ	1A4584-01	1							
		KM-660MAJ									
12	Evaporator		1A4119G01	1							
13	Thermostatic Expansion Valve		4A4008-01	1							
14	Thermostatic Expansion Valve Cover		3A0944-01	1							
15	Thermostatic Expansion Valve Bulb Holder		3A0107-01	1							
16	Hose Clamp		443461-02	1							
17	Hot Gas Valve Body		4A3978-01	1							
18	Liquid Line Valve Body		4A3276-01	1							
19	Valve Coil		4A3277-01	2							
19a	Bolt		4A3277F01	2							
20	Thermistor		429006-03	1							
21	Thermistor Holder		427430-01	1							
22	Rubber Insulation A		3A9637-01	1							
23	Rubber Insulation B		3A9638-01	1							
24	Fan Motor		4A3158-01	1							
25	Fan Motor Bracket		2A7974-02	1							
25a	Hex Bolt	5x12, SS	7B0230512	4							
26	Fan Blade		4A0197-01	1							
27	Strainer		441569-02	1							
28	Drier		4A1113-01	1							
29	High-Pressure Switch		463180-01	1							
30	Heat Exchanger		2A8681G01	1							

**A. Main Assembly and Refrigeration Circuit**  
**KM-350MWJ, KM-520MWJ, KM-660MWJ**  
H-0, J-0



<b>Title: A. Main Assembly and Refrigeration Circuit    Model: KM-350MWJ, KM-520MWJ, KM-660MWJ</b>												
Index No.	Description	Material or Model Number	Part Number	Required Number								
				H-0								
<b>Main Assembly</b>												
1	Front Panel		1A5320G01	1								
2	Front Insulation		3A9354G01	1								
3	Top Panel		1A5321G01	1								
4	Top Insulation		3A9353G01	1								
5	Right Side Panel		1A5004-01	1								
6	Base Cover		3A9771-01	1								
7	Ultra Sonic Bin Control		4A6148G01	1								
<b>Refrigeration Circuit</b>												
8	Compressor	KM-350MWJ	4A5090-01	1								
		KM-520MWJ	4A4479-01	1								
		KM-660MWJ	4A5158-01	1								
9	Condenser		3A7321-01	1								
10	Water Regulating Valve	KM-350MWJ	4A0911-06	1								
		KM-520MWJ										
		KM-660MWJ	4A0911-07	1								
11	Male Connector		4A1087-01	1								
12	Evaporator		1A4119G01	1								
13	Thermostatic Expansion Valve		4A4008-01	1								
14	Thermostatic Expansion Valve Cover		3A0944-01	1								
15	Thermostatic Expansion Valve Bulb Holder		3A0107-01	1								
16	Hose Clamp		443461-02	1								
17	Hot Gas Valve Body		4A3978-01	1								
18	Liquid Line Valve Body		4A3276-01	1								
19	Valve Coil		4A3277-01	2								
19a	Bolt		4A3277F01	2								
20	Thermistor		429006-03	1								
21	Thermistor Holder		427430-01	1								
22	Rubber Insulation A		3A9637-01	1								
23	Rubber Insulation B		3A9638-01	1								
24	Strainer		441569-02	1								
25	Drier		4A1113-01	1								
26	High-Pressure Switch		463180-05	1								
27	Heat Exchanger		2A8681G01	1								

**A. Main Assembly & Refrigeration Circuit**  
**KM-520MRJ, KM-660MRJ**  
H-0, J-0



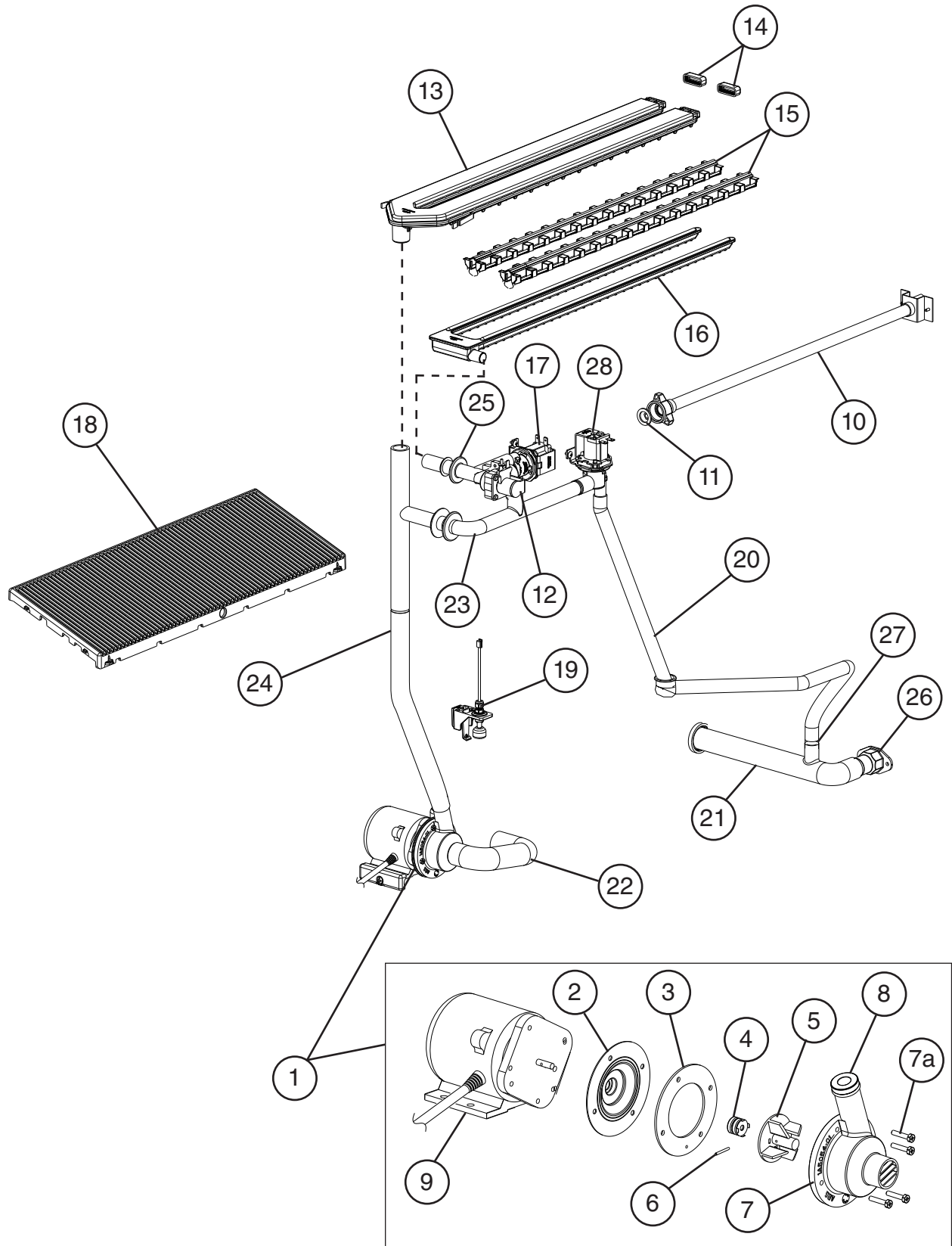


Title: A. Main Assembly & Refrigeration Circuit Model: KM-520MRJ, KM-660MRJ											
Index No.	Description	Material or Model Number	Part Number	Required Number							
				H-0 to H-0 (J)	H-0 (K) to J-0						
<b>Ice Cuber Assembly</b>											
1	Front Panel		1A5320G01	1	1						
2	Front Insulation		3A9354G01	1	1						
3	Top Panel		1A5321G01	1	1						
4	Top Insulation		3A9353G01	1	1						
5	Right Side Panel		1A5004-01	1	1						
6	Base Cover		3A9771-01	1	1						
7	Ultra Sonic Bin Control		4A6148G01	1	1						
<b>Refrigeration Circuit</b>											
8	Compressor	KM-520MRJ	4A4479-01	1	1						
		KM-660MRJ	4A5158-01	1	1						
9	Crankcase Heater		4A5091-01	1	1						
10	Receiver Tank		437596-01	1	-						
			4A6212-01		1						
11	Evaporator		1A4119G01	1	1						
12	Thermostatic Expansion Valve		4A4008-01	1	1						
13	Thermostatic Expansion Valve Cover		3A0944-01	1	1						
14	Thermostatic Expansion Valve Bulb Holder		3A0107-01	1	1						
15	Hose Clamp		443461-02	1	1						
16	Hot Gas Valve Body		4A3978-01	1	1						
17	Liquid Line Valve Body		4A3276-01	1	1						
18	Valve Coil		4A3277-01	2	2						
18a	Bolt		4A3277F01	2	2						
19	Thermistor		429006-03	1	1						
20	Thermistor Holder		427430-01	1	1						
21	Rubber Insulation A		3A9637-01	1	1						
22	Rubber Insulation B		3A9638-01	1	1						
23	Strainer		441569-02	1	1						
24	Drier		4A1113-01	1	1						
25	High-Pressure Switch		463180-01	1	1						
26	Liquid Line Coupling		4A3972G01	1	1						
27	Discharge Line Coupling		434136G01	1	1						
28	Heat Exchanger		2A8681G01	1	1						

## B. Water Circuit

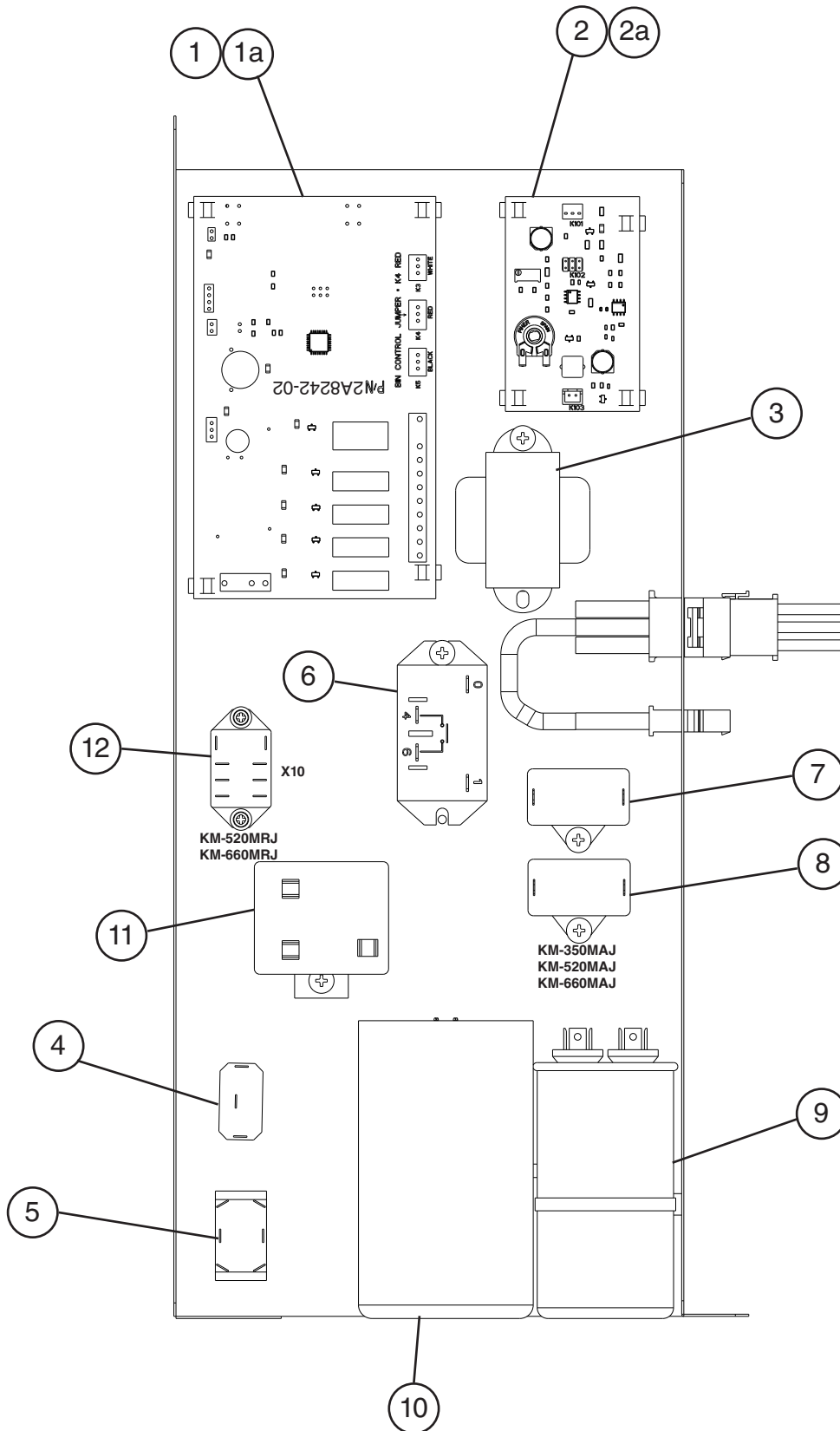
KM-350M\_J, KM-520M\_J, KM-660M\_J

H-0, J-0



Title: B. Water Circuit Model: KM-350M_J, KM-520M_J, KM-660M_J												
Index No.	Description	Material or Model Number	Part Number	Required Number								
				H-0	J-0							
1	Pump Motor Assembly (include items 2 through 8)		3A9728A01	1								
2	Pump Flange		3A2988-01	1								
3	Pump Gasket		4A2974-01	1								
4	Mechanical Seal		465627-01	1								
5	Impeller		433522-01	1								
6	Pin		4A0648-01	1								
7	Pump Housing		1A5054-01	1								
7a	Screw	4x20, Geomet	4A3871-01	4								
8	Reducing Pipe		4A6178-01	1								
9	Pump Motor Bracket		1A4670-01	1								
10	Water Supply Pipe		4A5216G04	1								
11	Rubber Gasket		413854-03	1								
12	Inlet Water Valve		3U0111-03	1								
13	Spray Tube		1A4571G01	1								
14	Plug		4A6069-01	2								
15	Spray Guide		1A4581-01	2								
16	Water Supply Tube		1A4572G01	1								
17	Cleaning Valve		4A5745-01	1								
18	Cube Guide		1A4568-01	1								
19	Float Switch		4A6142G01	1								
20	Silicone Hose	L= 140mm	7730-1114	1								
21	Drain Hose		1A4579-01	1								
22	Suction Hose		433466-01	1								
23	Bypass Hose		3A9544-01	1								
24	Water Hose		2A8823G01	1								
25	Water Supply Tee		3A9429-01	1								
26	Drain Fitting		4A5528-02	1								
27	Joint Pipe		4A6286-01	1								
28	Drain Valve		4A5745-03	1								

**C. Control Box Assembly**  
**KM-350M\_J, KM-520M\_J, KM-660M\_J**  
H-0, J-0

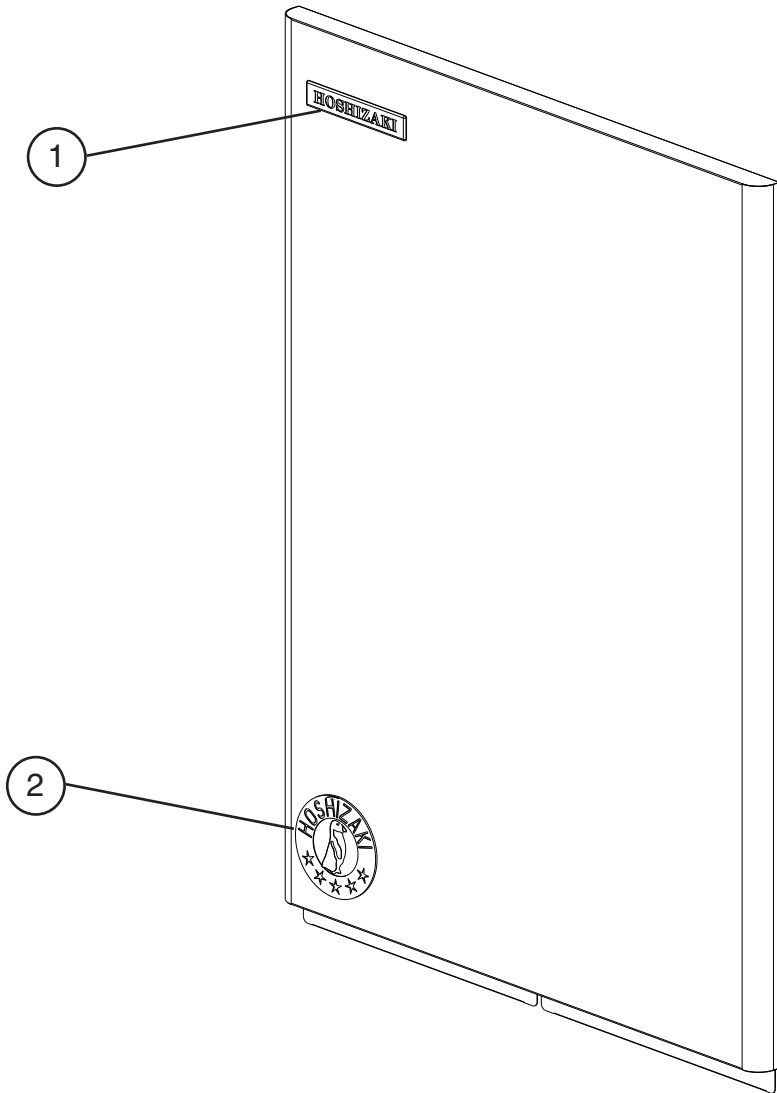


Title: C. Control Box Assembly Model: KM-350M_J, KM-520M_J, KM-660M_J											
Index No.	Description	Material or Model Number	Part Number	Required Number							
				H-0	J-0						
1	Control Board		2A8242-02	1							
1a	Control Board Support		4A0336-03	4							
2	Ultrasonic Bin Control Board		4A6149-01	1							
2a	Control Board Support		4A0336-03	4							
3	Control Transformer		3A0172-01	1							
4	Control Switch		4A0985-01	1							
5	Mode Switch		4A6232-01	1							
6	Compressor Relay		4A3140-01	1							
7	Pump Motor Capacitor	5.5MFD, 250VAC	443192-03	1							
8	Fan Motor Capacitor	<b>KM-350MAJ</b> <b>KM-520MAJ</b> <b>KM-660MAJ</b> 5.0MFD, 250VAC	443192-02	1							
9	Run Capacitor	<b>KM-350M_J</b> <b>KM-520M_J</b> 35MFD, 440VAC	3A2005-12	1							
		<b>KM-660M_J</b> 40MFD, 440VAC	3A2005-07	1							
10	Start Capacitor	<b>KM-350M_J</b> <b>KM-520M_J</b> 243-292MFP 165VAC	3A0076-20	1							
		<b>KM-660M_J</b> 243-292MFP 250VAC	3A0076-21	1							
11	Start Relay	<b>KM-350M_J</b>	4A1107-18	1							
		<b>KM-520M_J</b>	4A1107-11	1							
		<b>KM-660M_J</b>	4A1107-20	1							
12	Relay X10=Crankcase Heater Relay	<b>KM-520MRJ</b> <b>KM-660MRJ</b>	406132-07	1							

**D. Accessories & Labels**

**KM-350M\_J, KM-520M\_J, KM-660M\_J**

H-0, J-0



Title: D. Accessories & Labels		Model: KM-350M_J, KM-520M_J, KM-660M_J		Required Number								
Index No.	Description	Material or Model Number	Part Number	H-0	J-0							
1	Hoshizaki Emblem		4A0560-01	1								
2	Penguin Label		475552L02	1								
3	Universal Brace		4A0363-01	2								
3a	Hex Head Bolt	5x12, SS	7B02-0512	2								