

UPRIGHT REACH-IN GLASS DOOR REFRIGERATORS

Top Mounted Condensing Unit



ES – Series • ESGR1 • ESGR2 • ESGWR2 • ESGR3A



▲ ESGR1



▲ ESGR2



▲ ESGWR2



▲ ESGR3A

Cabinet Construction

Heavy duty stainless steel interior and exterior, with galvanized steel finished top, bottom and back wall of exterior. ABS evaporator drain covers. 2.5" thick high density foamed-in-place polyurethane insulation. Four 4" diameter casters (front casters with brakes). Door heater installed around inside cabinet frame to prevent moisture build-up.

Refrigeration System

- Self-contained condensing unit located at top of cabinet for high performance
- Oversized condenser and evaporator coils quickly achieve and maintain desired temperature
- Forced-air cooling with multiple evaporator fan motors provide balanced airflow throughout cabinet to ensure faster temperature drop
- Environmentally friendly CFC free R-134A refrigerant
- Adjustable, time-initiated defrost cycle of 3 to 12 hours with 350 watt defrost heater, both time and temperature terminated for fail-safe operation
- Automatic evaporator fan motor delay after defrost cycle
- Copper tube and aluminum fin evaporator with anti-corrosive coating
- Exterior anodized aluminum drain pan for self sufficient condensation removal
- Pressure relief ports for rapid re-entry
- Interior airflow backward to ensure proper air circulation
- Pre-wired and ready to plug, 115V/60Hz/1Ph, NEMA 5-15P

Lighting

- Shielded vertical LED interior lighting with on/off switch for energy efficiency, minimal heat generation and enhanced illumination

Doors

- Matte finish aluminum door frames
- Low emissivity double pane glass system reflects UV rays and improves insulation for maximized energy efficiency
- Heavy duty adjustable torsion spring self-closing door system
- One piece snap-in magnetic door gaskets for easy replacement
- Heavy duty die-cast door handles
- Door locks
- Field reversible doors

Shelving

- Four epoxy coated wire shelves per section
- Stainless steel pilasters and shelf clips

Temperature Control

- Factory preset temperature, 35°F
- Temperature setting range from 33°F to 54°F
- Easy to read digital temperature display
- Easy to program push-button temperature control
- Microchip digital control and monitoring system with a variety of functions to monitor and maintain optimum temperature



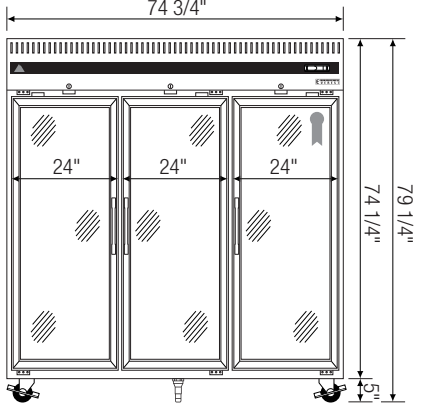
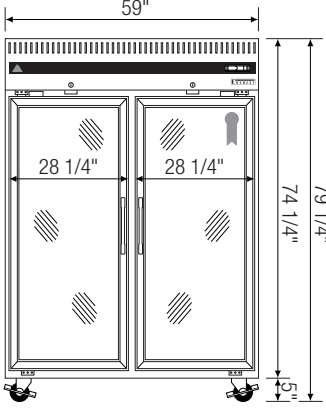
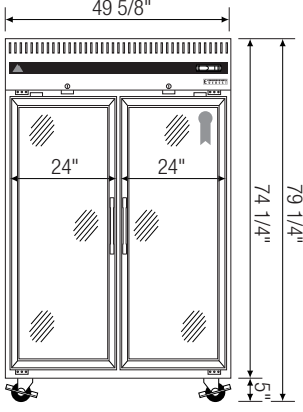
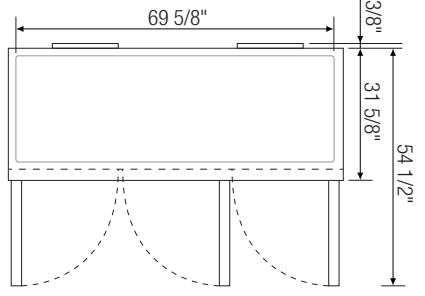
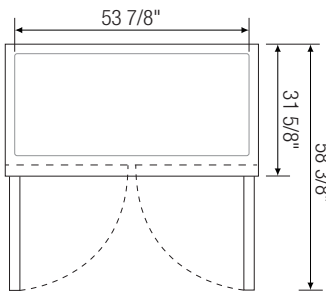
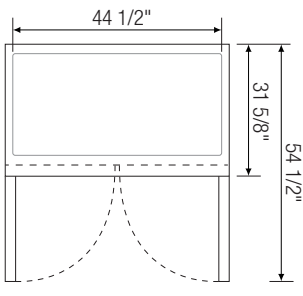
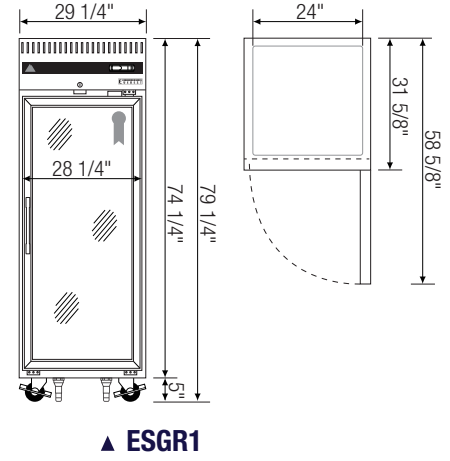
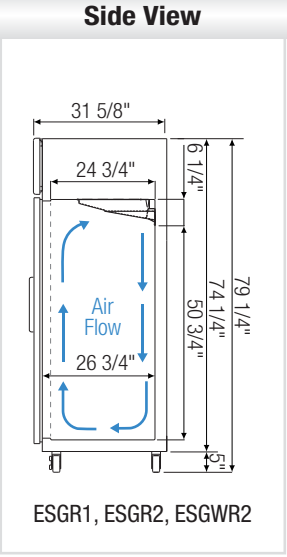
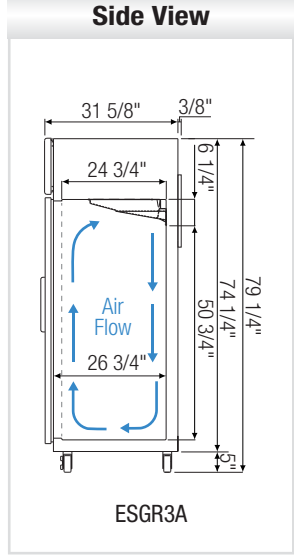
Dimensions

ABS Legs



Two additional front adjustable stainless steel clad ABS legs for model ESGR1 to provide extra stability when opening and closing door, and one additional leg for model ESGR3A for weight support.

Equipped with 9 ft long NEMA 5-15P plug.



Model	Ref/ Frz/ Dual	# of Doors	Capacity (Cu.Ft.)	HP	BTU/HR [†]	Refrigerant	# of Shelves	Power (V-Hz-Ph)	Amps	Crated Weight (LBS)	Exterior Dimensions (Inches)			Interior Dimensions (Inches)		
											L	D ^a	H [*]	L	D	H
ESGR1	Ref	1	23	1/3	2,555	R-134A	4	115-60-1	4.92	318	29 1/4	31 5/8	74 1/4	24	26 3/4	57
ESGR2	Ref	2	48	1/3+	3,268	R-134A	8	115-60-1	7.57	465	49 5/8	31 5/8	74 1/4	44 1/2	26 3/4	57
ESGWR2	Ref	2	55	1/3+	3,268	R-134A	8	115-60-1	8.35	514	59	31 5/8	74 1/4	53 7/8	26 3/4	57
ESGR3A	Ref	3	71	1/3+ x 2	3,268 x 2	R-134A	12	115-60-1	9.49	647	74 3/4	32	74 1/4	69 5/8	26 3/4	57

* : Height does not include 5" for casters.
 † : Based on evaporating temperature of 23°F (-5°C) & condensing temperature of 131°F (55°C).
 a : Exterior depth dimension does not include 1-1/2" for door handles.
 Ref = Refrigerator

Specifications subject to change without notice.

Product dimensions are for general purposes and not absolute value. Product capacity(▶) is calculated based on standard industry figures. Slight variations may exist. If dimensions and capacity are critical, please contact Everest Refrigeration.



Please visit our website for updated Energy Efficiency information.