

DRAWERED UNDERCOUNTER REFRIGERATORS

Back Mounted Condensing Unit



ETB – Series • ETBR1-D2 • ETBSR2-D2 • ETBR2-D4 • ETBWR2-D4 • ETBR3-D2



▲ ETBR1-D2



▲ ETBSR2-D2



▲ ETBR2-D4



▲ ETBWR2-D4



▲ ETBR3-D2

Cabinet Construction

Heavy duty stainless steel interior and exterior, with galvanized steel finished bottom and back wall of exterior. High quality 16 gauge stainless steel worktop, ABS evaporator drain cover. 2.5" thick high density foamed-in-place polyurethane insulation. Four 4" diameter casters (front casters with brakes).

Refrigeration System

- Back mounted condensing unit
- Oversized condenser and evaporator coils quickly achieve and maintain desired temperature
- Forced-air cooling with multiple evaporator fan motors provide balanced airflow throughout cabinet to ensure faster temperature drop
- Slide-out condensing unit for convenient repair and maintenance
- Front air breathing for built-in applications
- Environmentally friendly CFC free R-134A refrigerant
- Air defrost controlled by electrical timer
- Copper tube and aluminum fin evaporator with anti-corrosive coating
- Energy efficient condensate drain pan assembly heated by high side copper tube
- Pressure relief ports for rapid re-entry
- Pre-wired and ready to plug, 115V/60Hz/1Ph, NEMA 5-15P

Doors & Drawers

- Heavy duty stainless steel interior and exterior
- 2.5" thick foamed-in-place polyurethane insulation
- Rounded corners for a comfortable and hazard-free work space
- Heavy duty adjustable torsion spring self-closing door system
- One piece snap-in magnetic door and drawer gaskets for easy replacement
- Heavy duty recessed door and drawer handles for a flat surface
- Heavy duty 304 stainless steel drawer frames with low-friction ball bearing slides (*note: refer to the website for pan configurations*)

Temperature Control

- Factory preset temperature, 35°F
- Temperature setting range from 32°F to 42°F
- Easy to set analog thermostat

Options

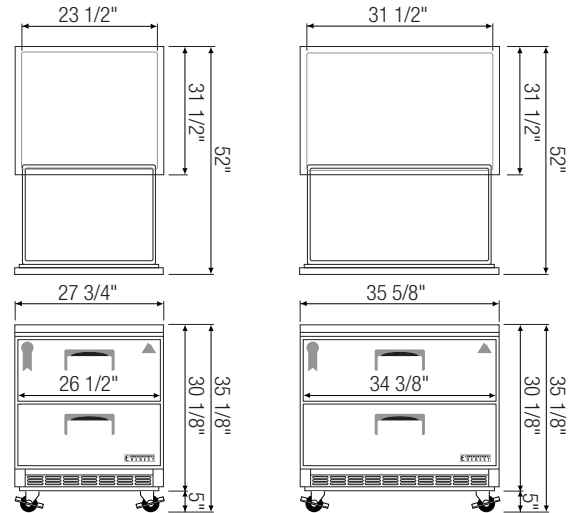
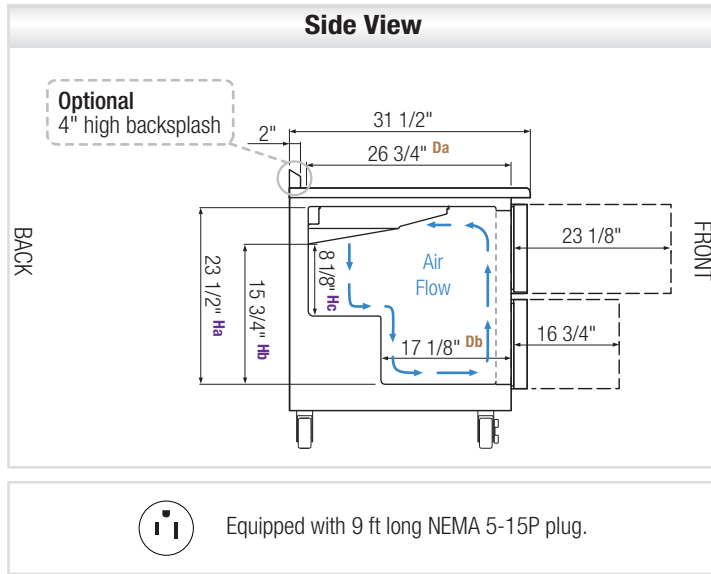
- 4" high stainless steel backsplash for worktop use
- 2 1/2" diameter casters (3 1/2" overall height)

Shelving (model ETBR3-D2)

- Two epoxy coated wire shelves
- Stainless steel pilasters and shelf clips

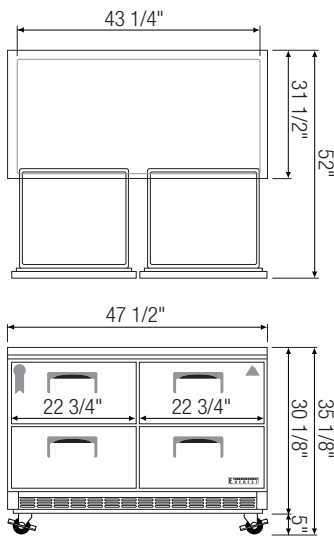


Dimensions

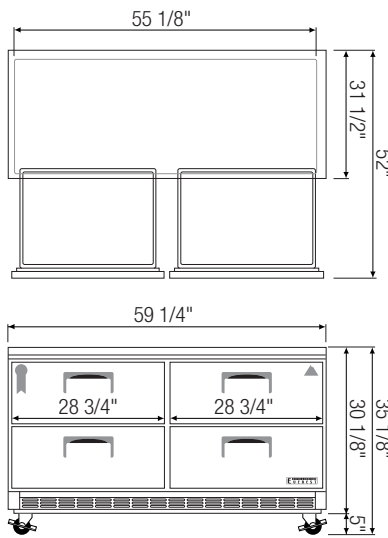


▲ ETBR1-D2

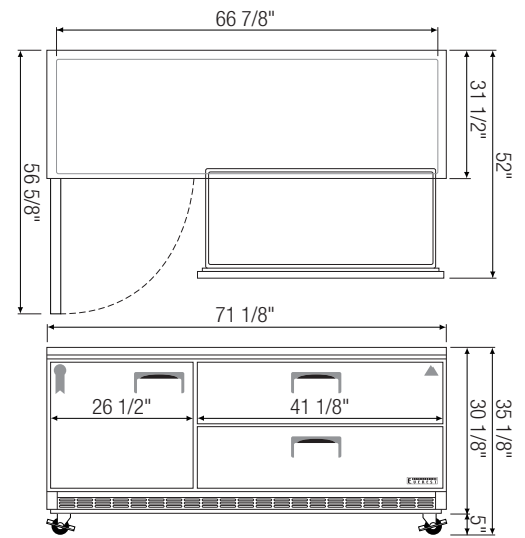
▲ ETBSR2-D2



▲ ETBR2-D4



▲ ETBWR2-D4



▲ ETBR3-D2

Model	Ref/ Frz/ Dual	# of Doors	Capacity (Cu.Ft.)	HP	Refrigerant	# of Shelves	# of Pans [†]	Power (V-Hz-Ph)	Amps	Crated Weight (LBS)	Exterior Dimensions (Inches)			Interior Dimensions (Inches)				
											L	D	H*	L	D	H		
ETBR1-D2	Ref	2(DR)	5.6	1/5	R-134A	N/A	1/2 x 4 1/4 x 2	115-60-1	4.10	200	27 3/4	31 1/2	30 1/8	23 1/2	26 3/4 17 1/8	Da Db	23 1/2 15 3/4 8 1/8	Ha Hb Hc
ETBSR2-D2	Ref	2(DR)	7.5	1/5	R-134A	N/A	1/2x4, 1/3x1 1/4x2, 1/6x1	115-60-1	4.40	234	35 5/8	31 1/2	30 1/8	31 1/2	26 3/4 17 1/8	Da Db	23 1/2 15 3/4 8 1/8	Ha Hb Hc
ETBR2-D4	Ref	4(DR)	10.3	1/5	R-134A	N/A	1/2x4, 1/3x4 1/4x2, 1/6x2	115-60-1	4.40	291	47 1/2	31 1/2	30 1/8	43 1/4	26 3/4 17 1/8	Da Db	23 1/2 15 3/4 8 1/8	Ha Hb Hc
ETBWR2-D4	Ref	4(DR)	15	1/4+	R-134A	N/A	1/2x4, 1/3x8 1/4x2, 1/6x4	115-60-1	4.80	347	59 1/4	31 1/2	30 1/8	55 1/8	26 3/4 17 1/8	Da Db	23 1/2 15 3/4 8 1/8	Ha Hb Hc
ETBR3-D2	Ref	1(D) 2(DR)	18.3	1/3	R-134A	2	1/2x2, 1/3x8 1/4x1, 1/6x4	115-60-1	5.20	373	71 1/8	31 1/2	30 1/8	66 7/8	26 3/4 17 1/8	Da Db	23 1/2 15 3/4 8 1/8	Ha Hb Hc

* : Height does not include 5" for casters.

† : Drawer pans are not included.

Da, Db : Interior Depth Ha, Hb, Hc : Interior Height

Ref = Refrigerator | (D) = Door | (DR) = Drawer

Specifications subject to change without notice.

Product dimensions are for general purposes and not absolute value. Product capacity(▶) is calculated based on standard industry figures. Slight variations may exist. If dimensions and capacity are critical, please contact Everest Refrigeration.



Please visit our website for updated Energy Efficiency information.