

OPEN TOP PREP. TABLES

Back Mounted Condensing Unit

EOTP – Series • EOTP1 • EOTPS2 • EOTP2 • EOTPW2 • EOTP3



▲ EOTP1



▲ EOTPS2



▲ EOTP2



▲ EOTPW2



▲ EOTP3

Cabinet Construction

Heavy duty stainless steel interior and exterior, and galvanized steel finished bottom. High quality 16 gauge stainless steel worktop and top lids. 2.5" thick high density foamed-in-place polyurethane insulation. Four 4" diameter casters (front casters with brakes). Door heater installed around inside cabinet frame to prevent moisture build-up.

Refrigeration System

- Back mounted condensing unit
- Oversized condenser and evaporator coils quickly achieve and maintain desired temperature
- Forced-air cooling with multiple evaporator fan motors provide balanced airflow throughout cabinet to ensure faster temperature recovery
- Slide-out condensing unit for convenient repair and maintenance
- Front air breathing for built-in applications
- Environmentally friendly CFC free R-134A refrigerant
- Air defrost controlled by electrical timer
- Copper tube and aluminum fin evaporator with anti-corrosive coating
- Energy efficient condensate drain pan assembly heated by high side copper tube
- Pressure relief ports for rapid re-entry
- Pre-wired and ready to plug, 115V/60Hz/1Ph, NEMA 5-15P

Options

- 9 1/8" deep cutting board
- 2 1/2" diameter casters (3 1/2" overall height)

Doors

- Heavy duty stainless steel interior and exterior
- 2.5" thick foamed-in-place polyurethane insulation
- Rounded corners for a comfortable and hazard-free work space
- Heavy duty adjustable torsion spring self-closing door system
- One piece snap-in magnetic door gaskets for easy replacement
- Heavy duty recessed door handles for a flat surface
- Model available in left hinge upon request (EOTP1)

Preparation Area

- Mega-top, three rows of 1/6 sized pans
- Removable top cover(s), 1/2" thick foam insulated cover(s) to prevent moisture build-up and heat exchange
- Sanitary polycarbonate pans with lids
(note: refer to website for pan configurations)

Shelving

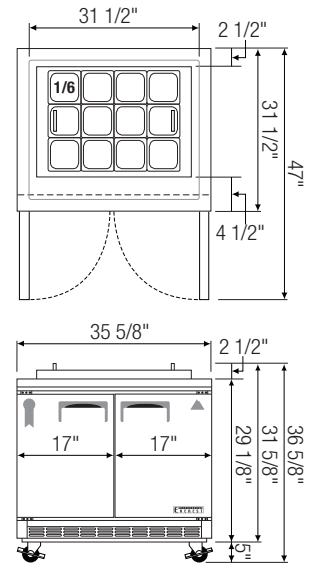
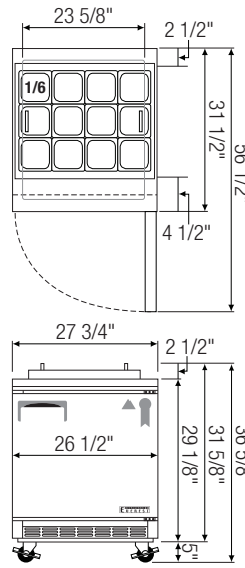
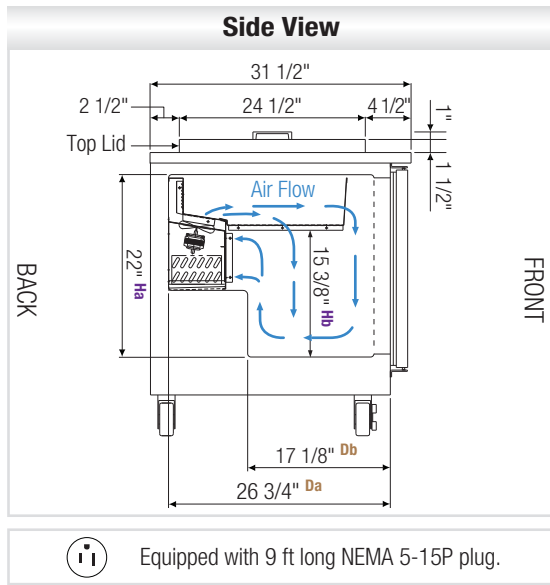
- One epoxy coated wire shelf per section
- Stainless steel pilasters and shelf clips

Temperature Control

- Factory preset temperature, 35°F
- Temperature setting range from 32°F to 42°F
- Easy to set analog thermostat

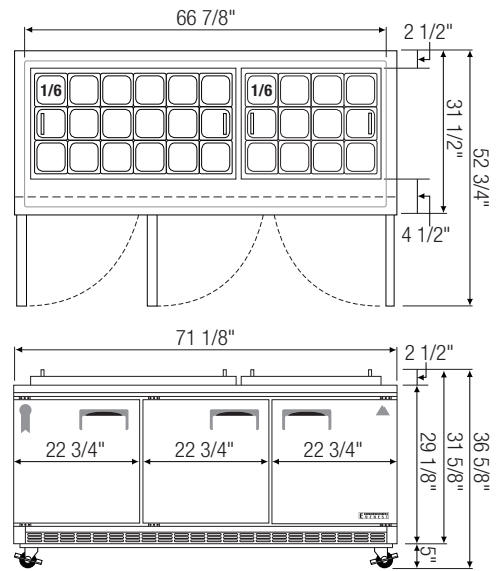
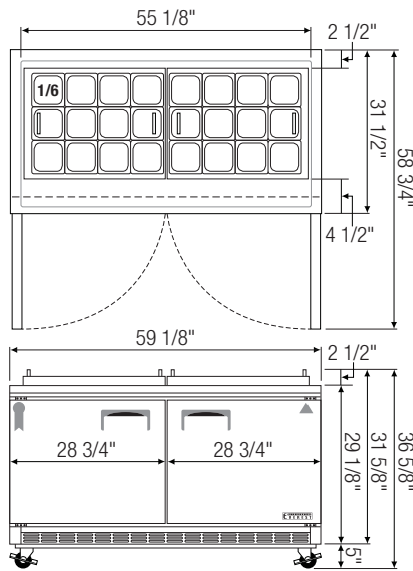
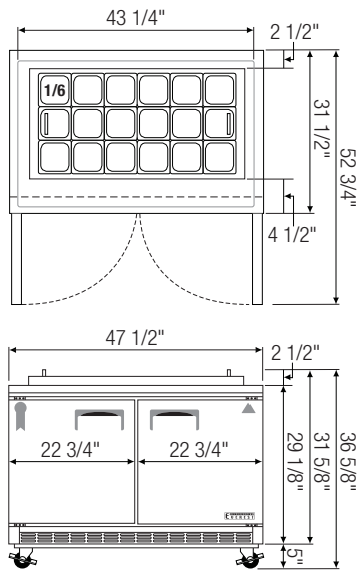


Dimensions



▲ EOTP1

▲ EOTPS2



▲ EOTP2

▲ EOTPW2

▲ EOTP3

| Model | Ref/ Frz/ Dual | # of Doors | Capacity (Cu.Ft.) | HP | Refrigerant | # of Shelves | # of Pans | Power (V-Hz-Ph) | Amps | Crated Weight (LBS) | Exterior Dimensions (Inches) | | | Interior Dimensions (Inches) | | | | |
|--------|----------------------|---------------|----------------------|------|-------------|-----------------|-----------------------|--------------------|------|---------------------------|---------------------------------|--------|--------|---------------------------------|--------------|--------------|----------|--------------|
| | | | | | | | | | | | L | D | H* | L | D | H | | |
| EOTP1 | Ref | 1 | 6.5 | 1/5 | R-134A | 1 | 1/6 x 12 ^a | 115-60-1 | 3.98 | 203 | 27 3/4 | 31 1/2 | 31 5/8 | 23 5/8 | 26 3/4 Da | 17 1/8 Db | 22 Ha | 15 3/8 Hb |
| EOTPS2 | Ref | 2 | 8.5 | 1/5 | R-134A | 2 | 1/6 x 12 | 115-60-1 | 3.98 | 247 | 35 5/8 | 31 1/2 | 31 5/8 | 31 1/2 | 26 3/4 Da | 17 1/8 Db | 22 Ha | 15 3/8 Hb |
| EOTP2 | Ref | 2 | 11.8 | 1/4+ | R-134A | 2 | 1/6 x 18 | 115-60-1 | 4.11 | 302 | 47 1/2 | 31 1/2 | 31 5/8 | 43 1/4 | 26 3/4 Da | 17 1/8 Db | 22 Ha | 15 3/8 Hb |
| EOTPW2 | Ref | 2 | 15 | 1/3 | R-134A | 2 | 1/6 x 24 | 115-60-1 | 5.20 | 354 | 59 1/8 | 31 1/2 | 31 5/8 | 55 1/8 | 26 3/4 Da | 17 1/8 Db | 22 Ha | 15 3/8 Hb |
| EOTP3 | Ref | 3 | 18.3 | 1/3 | R-134A | 3 | 1/6 x 30 | 115-60-1 | 5.20 | 407 | 71 1/8 | 31 1/2 | 31 5/8 | 66 7/8 | 26 3/4 Da | 17 1/8 Db | 22 Ha | 15 3/8 Hb |

* : Height does not include 5" for casters; height includes top lid and handle.

a : Pan count applicable for units manufactured from April 2016.

Da, Db : Interior Depth Ha, Hb : Interior Height

Ref = Refrigerator

Specifications subject to change without notice.

Product dimensions are for general purposes and not absolute value. Product capacity(▶) is calculated based on standard industry figures. Slight variations may exist. If dimensions and capacity are critical, please contact Everest Refrigeration.



Please visit our website for updated Energy Efficiency information.