

BACK MOUNT MEGA-TOP SANDWICH PREP. TABLES

Back Mounted Condensing Unit

EPB – Series • EPBR1 • EPBSR2 • EPBR2 • EPBWR2 • EPBR3



▲ EPBR1



▲ EPBSR2



▲ EPBR2



▲ EPBWR2



▲ EPBR3

Cabinet Construction

Heavy duty stainless steel interior and exterior, galvanized steel finished bottom and back wall of exterior. High quality 16 gauge stainless steel worktop, top lid and hood. 2.5" thick high density foamed-in-place polyurethane insulation. Four 4" diameter casters (front casters with brakes). Door heater installed around inside cabinet frame to prevent moisture build-up.

Refrigeration System

- Back mounted condensing unit
- Oversized condenser and evaporator coils quickly achieve and maintain desired temperature
- Forced-air cooling with multiple evaporator fan motors provide balanced airflow throughout cabinet to ensure faster temperature drop
- Slide-out condensing unit for convenient repair and maintenance
- Front air breathing for built-in applications
- Environmentally friendly CFC free R-134A refrigerant
- Air defrost controlled by electrical timer
- Copper tube and aluminum fin evaporator with anti-corrosive coating
- Energy efficient condensate drain pan assembly heated by high side copper tube
- Pressure relief ports for rapid re-entry
- Pre-wired and ready to plug, 115V/60Hz/1Ph, NEMA 5-15P

Option

- 2 1/2" diameter casters (3 1/2" overall height)

Doors

- Heavy duty stainless steel interior and exterior
- 2.5" thick high density foamed-in-place polyurethane insulation
- Rounded corners for a comfortable and hazard-free work space
- Heavy duty adjustable torsion spring self-closing door system
- One piece snap-in magnetic door gaskets for easy replacement
- Heavy duty recessed door handles for a flat surface
- Model available in left hinge upon request (EPBR1)

Preparation Area

- Mega-top, three rows of 1/6 sized pans
- 1/2" thick foam insulated lids to prevent moisture build-up and heat exchange
- Removable and adjustable sanitary 9 1/8" deep cutting board
- Sanitary polycarbonate pans
(note: refer to the website for pan configurations)

Shelving

- One epoxy coated wire shelf per section
- Stainless steel pilasters and shelf clips

Temperature Control

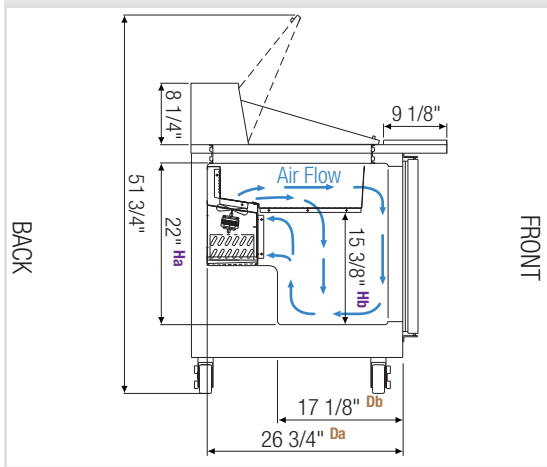
- Factory preset temperature, 35°F
- Temperature setting range from 32°F to 42°F
- Easy to set analog thermostat



5 YEAR Compressor
3 YEAR Parts & Labor

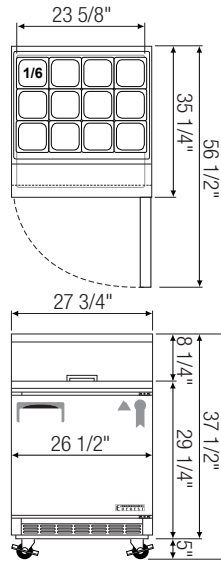
Dimensions

Side View

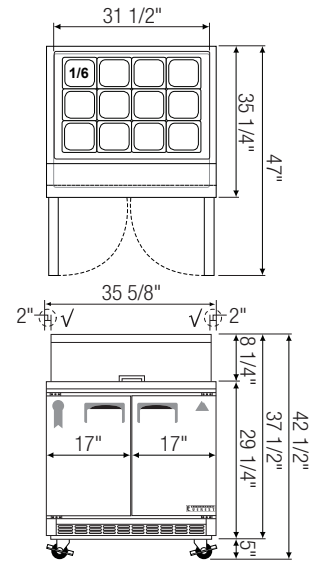


Equipped with 9 ft long NEMA 5-15P plug.

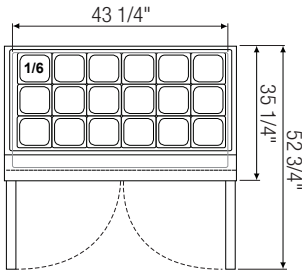
√ : Mounting space for standard aftermarket overshef.



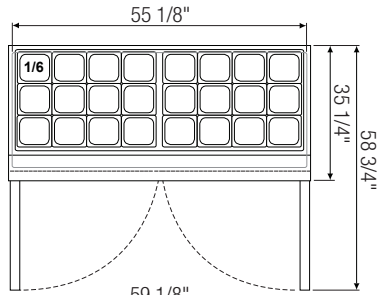
▲ EPBR1



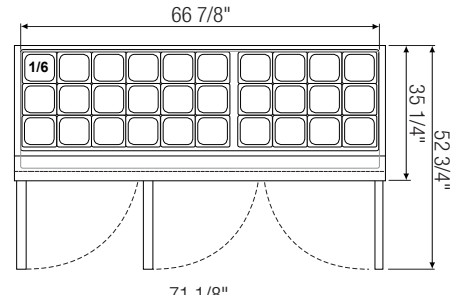
▲ EPBSR2



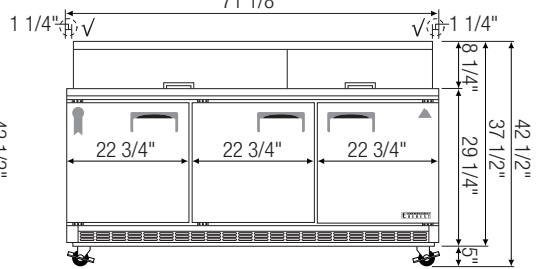
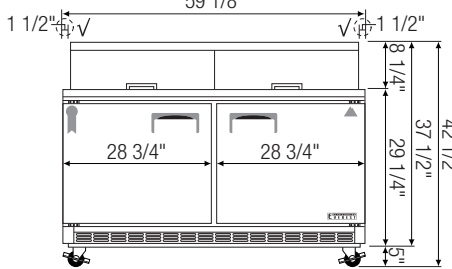
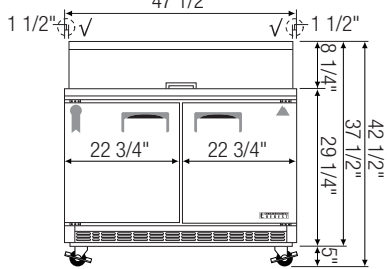
▲ EPBR2



▲ EPBWR2



▲ EPBR3



Model	Ref/ Frz/ Dual	# of Doors	Capacity (Cu.Ft.)	HP	Refrigerant	# of Shelves	# of Pans	Power (V-Hz-Ph)	Amps	Crated Weight (LBS)	Exterior Dimensions (Inches)			Interior Dimensions (Inches)		
											L	D ^b	H [*]	L	D	H
EPBR1	Ref	1	6.5	1/5	R-134A	1	1/6 x 12 ^a	115-60-1	3.98	220	27 3/4	35 1/4	37 1/2	23 5/8	26 3/4 ^{Da} 17 1/8 ^{Db}	22 ^{Ha} 15 3/8 ^{Hb}
EPBSR2	Ref	2	8.5	1/5	R-134A	2	1/6 x 12	115-60-1	3.98	262	35 5/8	35 1/4	37 1/2	31 1/2	26 3/4 ^{Da} 17 1/8 ^{Db}	22 ^{Ha} 15 3/8 ^{Hb}
EPBR2	Ref	2	11.8	1/4+	R-134A	2	1/6 x 18	115-60-1	4.11	325	47 1/2	35 1/4	37 1/2	43 1/4	26 3/4 ^{Da} 17 1/8 ^{Db}	22 ^{Ha} 15 3/8 ^{Hb}
EPBWR2	Ref	2	15	1/3	R-134A	2	1/6 x 24	115-60-1	5.20	381	59 1/8	35 1/4	37 1/2	55 1/8	26 3/4 ^{Da} 17 1/8 ^{Db}	22 ^{Ha} 15 3/8 ^{Hb}
EPBR3	Ref	3	18.3	1/3	R-134A	3	1/6 x 30	115-60-1	5.20	445	71 1/8	35 1/4	37 1/2	66 7/8	26 3/4 ^{Da} 17 1/8 ^{Db}	22 ^{Ha} 15 3/8 ^{Hb}

* : Height does not include 5" for casters.

a : Pan count applicable for units manufactured from April 2016.

b : Depth includes 9 1/8" cutting board.

Da, Db : Interior Depth Ha, Hb : Interior Height

Ref = Refrigerator

Specifications subject to change without notice.

Product dimensions are for general purposes and not absolute value. Product capacity(▶) is calculated based on standard industry figures. Slight variations may exist. If dimensions and capacity are critical, please contact Everest Refrigeration.



Please visit our website for updated Energy Efficiency information.