

PRODUCT NAME:

ADD-ON FAUCET ASSY

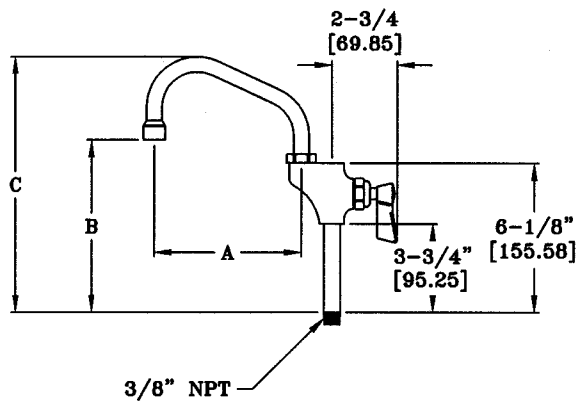
_____ SPECIAL CONFIGURATION
(CHECK BASE MODEL AND OPTIONS)

MODEL:

- 2901 WITH 6" SPOUT
- 2901-8 WITH 8" SPOUT
- 2901-10 WITH 10" SPOUT
- 2901-12 WITH 12" SPOUT
- 2901-14 WITH 14" SPOUT
- 2901-16 WITH 16" SPOUT

OPTIONS OR MODIFICATIONS:

- VANDAL RESISTANT KIT
- HANDLES (CROSS OR WRIST) CIRCLE STYLE
- OTHER _____



MODEL	DIM "A"	DIM "B"	DIM "C"
2901	6" [152.4mm]	7" [177.8mm]	10-3/8" [263.5mm]
2901-8	8" [203.2mm]	7-1/2" [190.5mm]	11" [279.4mm]
2901-10	10" [254.0mm]	7-1/2" [190.5mm]	11" [279.4mm]
2901-12	12" [304.8mm]	7-3/4" [196.9mm]	11-1/4" [285.8mm]
2901-14	14" [355.6mm]	8-1/2" [215.9mm]	12-1/8" [308.0mm]
2901-16	16" [406.4mm]	9-1/2" [241.3mm]	13-1/8" [333.4mm]

FEATURES:

- * STEM - RIGHT HAND
- * HOT & COLD INDEX BUTTONS
- * SWIVELLING SEAT DISKS
- * STAINLESS STEEL SEATS
- * STAINLESS STEEL SEAT SCREWS
- * STAINLESS STEEL HANDLE SCREWS

RECOMMENDED SETTINGS

- * 110°F AT 80 PSI

SYSTEM LIMITS

- * TEMP: 40°F MIN. TO 140°F MAX.
- * PRESSURE 200 PSI MAX. STATIC

SHIPPING WEIGHT

- * 2.5 LBS

ANSI/A112.18.1M

FISHER MANUFACTURING COMPANY