

APPLICATION:

PRODUCT NAME:  
**PEDESTAL GLASS FILLER**

JOB NAME:

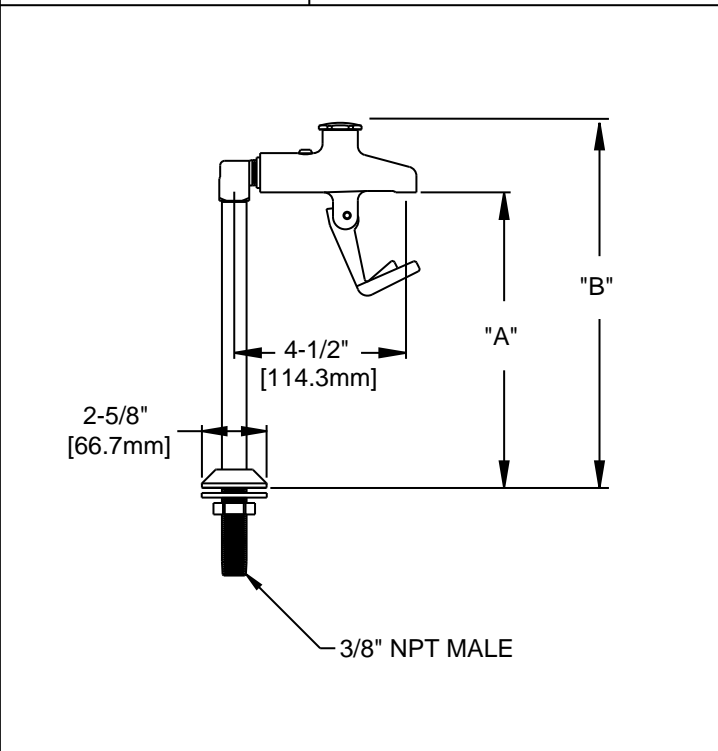
\_\_\_\_\_ SPECIAL CONFIGURATION  
(CHECK BASE MODEL AND OPTIONS)

QUANTITY:

ITEM NO.:

MODEL:

- 1007 8" PEDESTAL
- 1008 10" PEDESTAL
- 12513 12" PEDESTAL
- 12726 14" PEDESTAL



OPTIONS OR MODIFICATIONS:

- SUPPLY LINES (24" OR 36") CIRCLE LENGTH
- OTHER \_\_\_\_\_

FEATURES:

- \* REPLACEABLE STAINLESS STEEL HEAD
- \* MEETS NSF 61/SEC.9\*\*
- \* TAMPER PROOF VOLUME CONTROL
- \* HANDLES BOTH PAPER & GLASS CUPS
- \* NON-MARRING WHITE DELRIN PRONG
- \* STAINLESS STEEL SEAT SCREW
- \* STAINLESS STEEL STREAM STRAINER

\*\*TESTED UNDER NSF-CSA ALLIANCE PROGRAM

MODEL	DIM "A"	DIM "B"
1007	8" [203.2mm]	9-3/4" [247.7mm]
1008	10" [254.0mm]	11-3/4" [298.5mm]
12513	12" [304.8mm]	13-3/4" [349.3mm]
12726	14" [355.6mm]	15-3/4" [400.1mm]

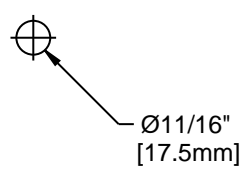
SYSTEM LIMITS

- \* TEMP: 40°F MIN. TO 140°F MAX.
- \* PRESSURE 100 PSI MAX. STATIC
- \* 2.20 GPM MAX. AT 80 PSI

SHIPPING WEIGHT

- \* 2.0 LBS

ROUGH-IN:



ANSI/A112.18.1M, ANSI/NSF 61.9

**FISHER**

FISHER MANUFACTURING COMPANY  
TOLL FREE: 800-421-6162 - FAX: 800-832-8238  
information@fisher-mfg.com - www.fisher-mfg.com