

PRODUCT NAME:

8" C/C BACKSPASH MOUNT PRE-RINSE  
SPRING STYLE WITH ADD-ON FAUCET

JOB NAME:

SPECIAL CONFIGURATION

\_\_\_\_\_ CHECK BASE MODEL AND OPTIONS

QUANTITY:

ITEM NO.

MODEL:

- 34436 WITH 6" SWING SPOUT
- 34444 WITH 8" SWING SPOUT
- 34452 WITH 10" SWING SPOUT
- 34460 WITH 12" SWING SPOUT
- 34479 WITH 14" SWING SPOUT
- 34487 WITH 16" SWING SPOUT

OPTIONS OR MODIFICATIONS:

- SUPPLY LINES (24" OR 36") CIRCLE LENGTH
- IN-LINE DUAL CHECK VALVE
- BRUSH
- HANDLES (CROSS OR WRIST) CIRCLE STYLE
- VANDAL RESISTANT KIT
- OTHER \_\_\_\_\_

FEATURES

MAIN CONTROL VALVE

- \* 8" C/C BACKSPASH MOUNT
- \* INTERNAL SPRING LOADED CHECK VALVES
- \* SWIVELLING SEAT DISKS
- \* HOT SIDE STEM - RIGHT HAND CHECK
- \* COLD SIDE STEM - LEFT HAND CHECK
- \* STAINLESS STEEL SEATS, SEAT SCREWS, AND HANDLE SCREWS

HOSE

- \* 36" LENGTH
- \* STAINLESS STEEL END FITTINGS
- \* STAINLESS STEEL EXTERNAL JACKET
- \* 3-PLY FIBER REINFORCED INTERNAL RUBBER HOSE
- \* REPAIRABLE IN-FIELD WITH SIMPLE TOOLS

ULTRA SPRAY VALVE

- \* LOWEST ENERGY USER - 1.15 GPM @ 60 PSI
- \* CLEANS FASTER - TEST PROVEN
- \* ENGINEERED TO LAST - NO 'O' RINGS TO LEAK
- \* INTERCHANGEABLE - FITS ALL BRANDS

WAL BRACKET

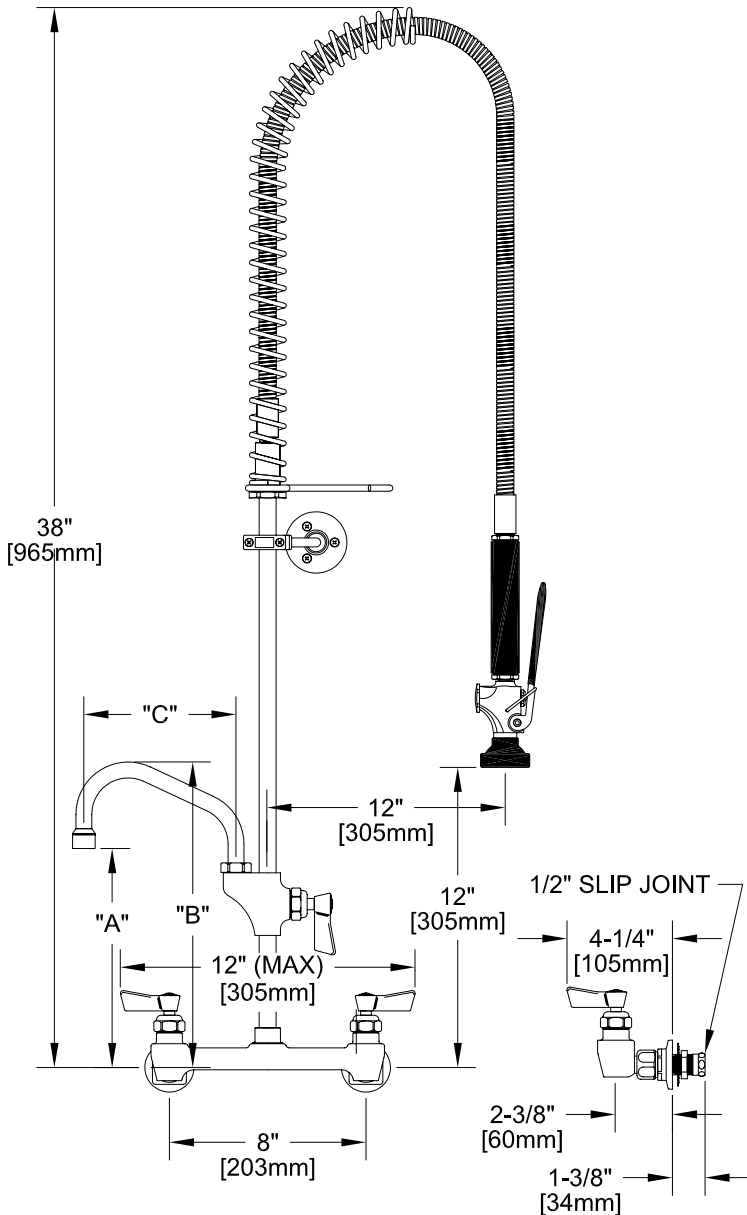
- \* ADJUSTS FROM 2" TO 12"

SYSTEM LIMITS

- \* TEMP: 40°F MIN. TO 140°F MAX.
- \* PRESSURE: 200 PSI MAX. STATIC

SHIPPING WEIGHT

- \* 15.0 LBS



ROUGH-IN	MODEL	DIM "A"	DIM "B"	DIM "C"
	34436	8-3/4" [221mm]	12-3/8" [313mm]	6" [152mm]
	34444	9" [228mm]	12-7/8" [326mm]	8" [203mm]
	34452	9-5/8" [244mm]	13-3/8" [340mm]	10" [254mm]
	34460	10-1/4" [259mm]	13-7/8" [351mm]	12" [305mm]
	34479	10-5/8" [275mm]	14-3/4" [374mm]	14" [356mm]
	34487	11-1/2" [292mm]	15-3/8" [390mm]	16" [406mm]

EPAct 2005 Compliant



ANSI/A112.18.1M

**FISHER**

FISHER MANUFACTURING COMPANY

TOLL FREE: 800-421-6162 - FAX: 800-832-8238

information@fisher-mfg.com - www.fisher-mfg.com