

APPLICATION:

PRODUCT NAME:
FAUCET 8AWZWH 06SRV

JOB NAME:

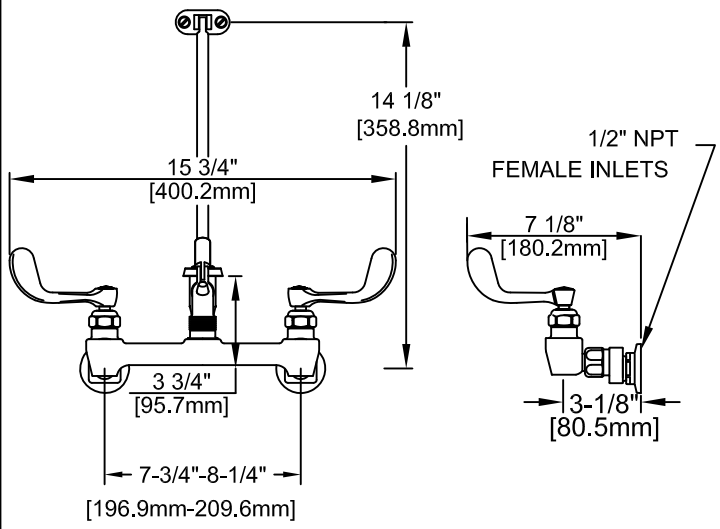
MODEL:

QUANTITY:

ITEM NO.:

18031 FAUCET 8AWZWH 06SRV

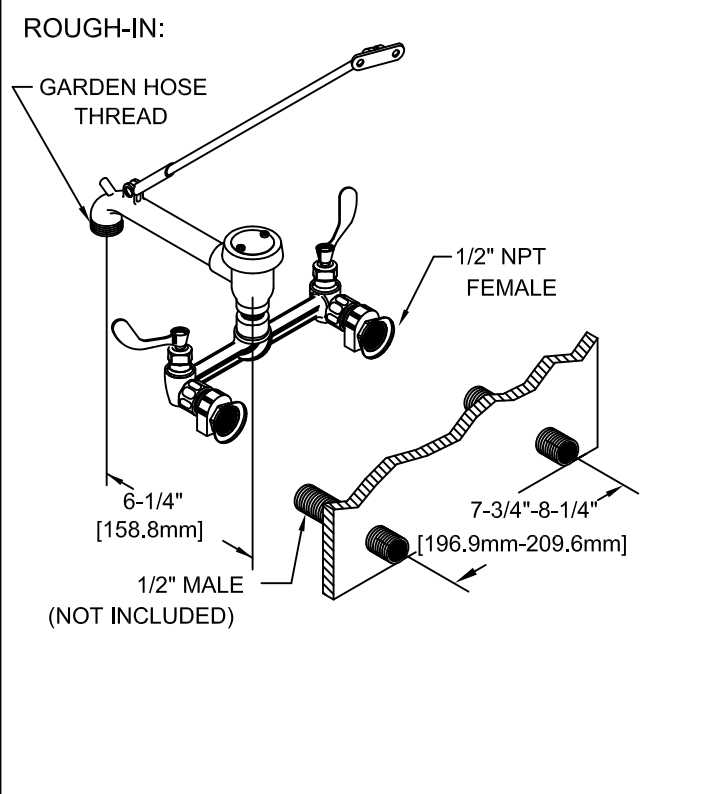
OPTIONS OR MODIFICATIONS:
 OTHER _____



- FEATURES:
- CONTROL VALVE**
- * ECCENTRICS ADJUST FROM 7-3/4" TO 8-1/4"
 - * INTERNAL SPRING LOADED CHECK VALVES
 - * SWIVELING SEAT DISKS
 - * HOT SIDE STEM - RIGHT HAND
 - * COLD SIDE STEM - LEFT HAND
 - * STAINLESS STEEL SEATS
 - * STAINLESS STEEL SEAT SCREWS
 - * STAINLESS STEEL HANDLE SCREWS
 - * ATMOSPHERIC VACUUM BREAKER
 - * 3/4" GARDEN HOSE THREAD OUTLET

- SYSTEM LIMITS
- * TEMP: 40°F MIN. TO 160°F MAX.
 - * PRESSURE 200 PSI MAX. STATIC
 - * 13.6 GPM AT 80 PSI

SHIPPING WEIGHT
* 6.25 LBS



FISHER
FISHER MANUFACTURING COMPANY
TOLL FREE: 800-421-6162 - FAX: 800-832-8238
information@fisher-mfg.com - www.fisher-mfg.com

WARNING:
Proposition 65 requires that we provide you with the following notice: "This product Contains A Chemical Known To The State Of California To Cause Cancer Or Birth Defects Or Other Reproductive Harm."