



## SAFETY SYMBOL



These symbols are intended to alert the user to the presence of important operating and maintenance instructions in the manual accompanying the appliance.

---

## RETAIN THIS MANUAL FOR FUTURE REFERENCE NOTICE

Using any part other than genuine Star factory supplied parts relieves the manufacturer of all liability.

Star reserves the right to change specifications and product design without notice. Such revisions do not entitle the buyer to corresponding changes, improvements, additions or replacements for previously purchased equipment.

Due to periodic changes in designs, methods, procedures, policies and regulations, the specifications contained in this sheet are subject to change without notice. While Star International Holdings Inc., Company exercises good faith efforts to provide information that is accurate, we are not responsible for errors or omissions in information provided or conclusions reached as a result of using the specifications. By using the information provided, the user assumes all risks in connection with such use.

## MAINTENANCE AND REPAIRS

Contact your local authorized service agent for service or required maintenance.

Please record the model number, serial number, voltage and purchase date in the area below and have it ready when you call to ensure a faster service.

Model No. \_\_\_\_\_  
Serial No. \_\_\_\_\_  
Voltage \_\_\_\_\_  
Purchase Date \_\_\_\_\_

### Authorized Service Agent Listing

Reference the listing provided with the unit

OR

for an updated listing go to:

**Website:** [www.star-mfg.com](http://www.star-mfg.com)  
**E-mail** [customerservice@star-mfg.com](mailto:customerservice@star-mfg.com)

### Service Help Desk

**Business Hours:** 8:00 am to 4:30 p.m. Central Standard Time

**Telephone:** (800) 264-7827

**Fax:** (314) 781-2714

**E-mail** [customerservice@star-mfg.com](mailto:customerservice@star-mfg.com)

**Website:** [www.star-mfg.com](http://www.star-mfg.com)

**Mailing Address:** Star Manufacturing International Inc.  
265 Hobson Street  
Smithville, TN 37166  
U.S.A

SPECIFICATION									
Model	Control	BTU	Grid Area	Plate Thickness	Weight		Dimensions		
					Installed	Shipped	Width	Depth	Height
615	1	20,000	304 sq. in (1961 sq. cm)	1" (2.54 cm)	83 lb (37.6 kg)	90 lb (4.8 kg)	15" (38.1 cm)	27.75" (70.5 cm)	15.5" (39.4 cm)
624	2	56,600	498 sq in (3213 sq. cm)		165 lb (74.8 kg)	175 lb (79.4 kg)	24" (61 cm)		
636	3	84,900	747 sq in (4820 sq cm)		247 lb (112 kg)	262 lb (118.8 kg)	36" (91.4 cm)		
648	4	113,200	996 sq in (6426 sq cm)		330 lb (144.7 kg)	350 lb (158.8 kg)	48" (122 cm)		

CONTROL TYPE	
MF	Manual Control
TF	Thermostat Control
TSPF	Thermostat & Safety Pilot Control
TCHSF	Thermostat & Safety Pilot Control with Chrome Plate

## GENERAL INSTALLATION DATA

This equipment is designed and sold for commercial use only by personnel trained and experienced in its operation and is not sold for consumer use in and around the home nor for use directly by the general public in food service locations.

The Star-Max™ model griddles are equipped for use with the types of gas specified on the nameplate.

All units are shipped from the factory for use with natural gas. The unit can easily be converted for use on propane gas: See propane gas.



### **-IMPORTANT-**

**The installation of the Appliance should conform to the NATIONAL FUEL GAS CODE "ANSI Z223.1 - LATEST EDITION" AND ALL LOCAL GAS COMPANY RULES AND REGULATIONS.**

**IN CANADA INSTALLATION SHALL BE IN ACCORDANCE WITH THE CURRENT CAN/CGA-B149.1 NATURAL GAS INSTALLATION CODE OR CAN/CGA-B149.2 PROPANE INSTALLATION CODE AND LOCAL CODES WHERE APPLICABLE.**

**Improper installation, adjustment, alteration, service or maintenance can cause property damage, injury or death. Read the installation, operating and maintenance instructions thoroughly before installing or servicing the equipment.**

**For your safety, do not store or use gasoline or other flammable vapors and liquids in the vicinity of this or any other appliance. Keep the appliance area clear and free from combustibles.**

This appliance, its pressure regulator and its individual shutoff valve must be disconnected from the gas supply piping system during any pressure testing of that system at test pressures in excess of 1/2 PSIG (3.45KPA).

This appliance and its pressure regulator must be isolated from the gas supply piping system by closing its individual manual shutoff valve during any pressure testing of the gas supply piping system at test pressures equal to or less than 1/2 PSIG (3.45KPA). For your protection, we recommend a qualified installing agency install this appliance. They should be familiar with gas installations and your local gas requirements. In any case, your gas company should be called to approve the final installation. In addition, there should be posted, in a prominent location, detailed instructions to be followed in the event the operator smells gas. Obtain the instructions from the local gas supplier.

#### **For your safety, if you smell gas -**

1. Do not touch electrical switches.
2. Extinguish any open flame.
3. Immediately call your gas company.

**KEEP THE APPLIANCE AREA FREE AND CLEAR FROM COMBUSTIBLES.**

### **CLEARANCE**

**For use on non-combustible countertops only.**

Combustible and non-combustible material must be at least 48" (120cm) from the top of the appliance and 6" (150mm) from the sides and back. Adequate clearance should also be provided for proper operation and servicing.

### **AIR SUPPLY**

Make certain not to obstruct the flow of combustion and ventilation air. Provisions for adequate air supply must be furnished. The legs supplied with the unit must be installed. Make certain that air intake openings in the bottom of the appliance are not obstructed. They are essential for proper combustion and operation of the appliance.

## EXHAUST CANOPY

It is essential that facilities be provided over the griddle to carry off fumes and gases. However, the unit should not be directly connected to a flue or stack.

## LEVELING UNIT

This griddle is supplied with (4) feet which must be screwed into the legs attached to the body. Level unit by adjusting the (4) feet which have an adjustment of 1-3/4" (43.75mm) for accurate and perfect lineup with other units. After the griddle is in its final position, adjust the legs to create 1/8 inch slant from back to front on the griddle plate. This will allow grease to run into the grease gutter and provide the proper combustion air for the burners.

**DO NOT INSTALL WITHOUT ATTACHING FEET - DO NOT REMOVE FEET.**

## GAS PIPING

Gas piping shall be of such size and so installed as to provide a supply of gas sufficient to meet the full gas input of the appliance. If the appliance is to be connected to existing piping, it shall be checked to determine if it has adequate capacity. Joint compound shall be used sparingly and only on the male threads of the pipe joints. Such compounds shall be resistant to the action of LP gases. **WARNING:** Any loose dirt or metal particles which are allowed to enter the gas lines on this appliance will damage the valve and affect its operation. When installing this appliance, all pipe and fittings must be free from loose dirt.



## GAS PRESSURE REGULATOR

A convertible pressure regulator is provided with each griddle. It should be connected to the inlet pipe at the rear of the unit. The gas supply line is then connected to it. It is shipped set for 6" (15.24cm) water column manifold pressure for use with natural gas.

## MANUAL SHUT-OFF VALVE

A manual shut-off valve should be installed upstream from the union and within 6 feet (1.829m) of this appliance.

## GAS CONVERSION

This griddle is equipped with fixed orifice hoods and is shipped from the factory for use on either natural or LP gas. To convert to propane gas, install the burner orifice hoods, located in the grease drawer, (NAT orifices are not included) as follows:

1. Remove front panel by removing screws located on the front and the bottom.
2. Remove the burner(s) from the orifice hood(s). This is accomplished by removing the burner mounting screw(s) and sliding the burner(s) off the hood(s).
3. Remove natural gas orifice hood(s) and install the propane hood(s) furnished.
4. Reinstall burner(s).
5. Reinstall front panel.
6. Remove the slotted, or hex-threaded, plug from the pressure regulator. Invert the plug and re-install. The letters "LP or NAT" should now be visible on the plug. LP units the regulator is now set for 10" (25.4cm) water column, and NAT units the regulator is now set for 6" (15.24cm) water column.
7. For LP Gas, set manifold pressure to 10" (25.4cm) water column. A 1/8" pipe plug on the supply pipe can be removed for attaching a pressure gauge.

## CONNECTING GAS SUPPLY LINE

The gas inlet of the griddle is sealed at the factory to prevent entry of dirt. Do not remove this seal until the actual connection is made to the gas supply line.

## CHECKING FOR GAS LEAKS

Soap and water solution or other material acceptable for the purpose shall be used in locating gas leakage. Matches, candle flame, or other sources of ignition shall not be used for this purpose. Check entire piping system for leaks.

## LIGHTING INSTRUCTIONS

When griddle is first lit, it will smoke until the preservation oils and impurities are burned off.

1. Turn off main valve to unit and wait 5 minutes to clear gas.
2. Turn off all knobs and pilot valves.
3. Turn on main valve and light all pilots.
4. Turn burner knobs to desired setting.
5. To turn burners off, turn knobs off.

**NOTE: The griddles are equipped with standing pilots and should be lit immediately after the gas is turned on.**

Pilot flames can be lit and observed through the front panel view ports. However, best access for lighting the pilot is from the bottom of the unit just behind the center wall.

## LIGHTING INSTRUCTIONS (TCHSD and TSPD SERIES)

1. Turn the control knobs to the "OFF" position.

**If the gas valves have been on and gas has escaped through the burners, turn the burners "OFF" and wait 5 minutes to clear the gas.**

2. Turn the control knob to the "PILOT" position, depress and hold the knob while lighting the pilot. Hold the knob in for 60 seconds or until the pilot stays lit. (Repeat for all burner sections.)
3. Depress and turn the control knob to the desired temperature.
4. To turn the burners off turn the knob to the "PILOT" position.
5. To turn off all gas turn the knob to the "OFF" position. The pilots must be relit to resume cooking settings.



## PILOT LIGHT REGULATION

Adjust pilot light flames as small as possible, but high enough to light burner immediately when burner valve is turned on high.

## ADJUSTING SAFETY PILOTS (SERIES TCHSF and TSPF ONLY)

A manual pilot valve is provided on the left side of the control to adjust the pilot flame. Adjust the pilot flame so that it is approximately 3/8 to 1/2" tall and a uniform cone shape.

## BURNER ADJUSTMENT (MODELS MF ONLY)

1. Remove the front panel.
2. Turn burner valve knob to "HI" position.
3. Close the air shutter on the front of the burner to give a soft blue flame having luminous tips and open to a point where the yellow tips disappear and a hard blue flame is obtained. Repeat for all burners.

## BURNER ADJUSTMENT (MODELS TF, TCHSF and TSPF ONLY)

1. Remove the front panel.
2. Push dial in and set thermostat of one burner to 450°F (229.9°C).
3. Close the air shutter on the front of the burner to give a soft blue flame having luminous tips and open to a point where the yellow tips disappear and a hard blue flame is obtained. Repeat for all burners.

## BYPASS ADJUSTMENT ON THROTTLING CONTROL MODELS ONLY

Throttling control models have a minimum flame setting that provides a steady uniform flame across the burner when the control heat setting has been satisfied.

1. Set the control at the maximum setting and wait for the burner flame to throttle back.
2. Turn the dial to the 200 degree setting. A small steady flame should be visible on all the burner ports. This flame should be approximately 1/8" high.
3. An adjustment screw is located either on the front or side of the control housing.
4. Turn clockwise to decrease the flame height; turn counterclockwise to increase the flame

## BURNER OPERATION (MODELS MF)

To ignite burners, turn burner valve knob to "HI" position. Each burner is controlled by an individual high-low, on-off valve. An infinite number of temperatures may be obtained by turning the burner valve knob to any position between high and low. For overnight shutdown, turn the valves to the "OFF" position.



## **SEASONING THE GRIDDLE HEATING SURFACE (NON-CHROMIUM SURFACES)**

Clean the griddle surface thoroughly. After the griddle has been thoroughly cleaned, it should be seasoned to prevent food from sticking. Before using, and after each thorough scouring, season the griddle heating surface in the following manner:

1. Turn the temperature control dial to 350°F (174.9°C).
2. Using a clean cloth, not a spatula, spread a thin film of cooking oil over the griddle cooking surface. This film should remain on the hot griddle surface 1/2 hour.
3. Remove excess oil and wipe clean.
4. Apply another film of cooking oil over the hot cooking area for another 1/2 hour and again remove excess oil and wipe clean. The griddle surface should now be ready for use.

**Even with careful seasoning food may, to some extent, stick to the griddle cooking surface until griddle plate is "broken in."**

## **COOKING (MODELS TF, TCHSF and TSPF ONLY)**

Set the thermostat dial knob to the temperature desired. After a short preheating period, the thermostat will automatically maintain the selected temperature.

## **GREASE PAN**

A grease pan is located at the front and can be removed for cleaning from the front. This pan should be checked and emptied when necessary.

**EXERCISE EXTREME CARE IN HANDLING THE GREASE PAN CONTAINING HOT GREASE.**

## **GRIDDLE CARE (NON-CHROMIUM AREAS)**

It takes very little time and effort to keep the griddle attractive and performing at top efficiency. If grease is permitted to accumulate, it will form a gummy cake and then carbonize into a hard substance which is extremely difficult to remove. To prevent this condition, the following suggestions for cleanliness should be followed:

1. After each use, scrape the griddle with a scraper or flexible spatula to remove excess grease and food. A waste drawer is provided for the scrapings. If there is an accumulation of burned on grease and food, the griddle should be thoroughly scoured and reseasoned. Use pumice or griddle stone while the griddle is warm. **DO NOT** use steel wool because of the danger of steel slivers getting into the food.
2. Daily-use a clean cloth and good non-abrasive cleaner to clean the stainless steel body of the griddle. Wipe the polished front with a soft cloth.
3. At least once a day remove the waste drawer and wash in the same way as an ordinary cooking utensil. The drawer is removed by pulling forward, up and out.

## **GRIDDLE CARE (CHROMIUM AREAS)**

It takes very little time and effort to keep this Chromium griddle surface sparkling clean and performing at top efficiency. **DO NOT** allow grease to accumulate as it will carbonize, becoming difficult to remove. To prevent this condition the following cleaning suggestions should be followed.

1. Remove excess oil and food regularly with a 4" (100mm) wide Razor Sharp type scraper and wipe surface with a damp cloth.
2. Following the scraping, a damp cloth and a non-silicated, non-abrasive, non-chlorinated cleaner such as Bon-Ami may be used to wipe surface clean, followed by wiping with clean wet cloth.
3. Follow steps 2 and 3 from above section.

**LIMITED EQUIPMENT WARRANTY**

Star Manufacturing [as well as its subsidiaries, Toastmaster and Holman] warranties new products to be free from defects in material and/or workmanship for a period of one [1] year from the date of original installation, except as noted below. Defects that occur as a result of normal use, within the time period and limitations defined in this warranty, will at Star’s discretion have the parts replaced or repaired by Star or a Star-authorized service agency.

**THIS WARRANTY IS SUBJECT TO ALL LISTED CONDITIONS.**

Repairs performed under this warranty are to be performed by a Star authorized service agency. Star will not be responsible for charges incurred or service performed by non-authorized repair agencies. In all cases, the nearest Star-authorized service agency must be used. Star will be responsible for normal labor charges incurred in the repair or replacement of a warranted product within 50 miles (80.5 km) of an authorized service agency. Time and expense charges for anything beyond that distance will be the responsibility of the owner. All labor will need to be performed during regular service hours. Any overtime premium will be charged to the owner. For all shipments outside the U.S.A. and Canada, please see the International Warranty for specific details. It is the responsibility of the owner to inspect and report any shipping damage claims, hidden or otherwise, promptly following delivery. No mileage or travel charges will be honored on any equipment that is deemed portable. In general, equipment with a cord and plug weighing less than 50 lb. (22.7 kg) is considered portable and should be taken or shipped to the closest authorized service agency, transportation prepaid.

**PORTABLE EQUIPMENT EXAMPLES**

- 514LL fryer
- 15MC and 18MCP hot food merchandisers
- QCS1, QCS2, and RCS2 toasters
- 16PD-A pretzel merchandisers
- Condiment dispensers except HPD- and SPD-series models
- All pop-up toasters
- All pastry display cabinets
- All heat lamps
- J4R popcorn machine
- 12NCPW and 15NCPW nacho merchandisers
- Nacho cheese warmers except 11WLA-series models
- Specialty food warmers except 130R, 11RW, and 11WSA models
- All butter dispensers
- All nacho chip merchandisers
- All accessories

**CONTACT**

Should you require any assistance regarding the operation or maintenance of any Star equipment; write, phone, fax or email our service department. In all correspondence mention the model number and serial number of your unit, as well as the voltage or type of gas you are using.

Business hours are 8:00 a.m. to 4:30 p.m. Central Standard Time (CST)

Telephone: (800)-264-7827

Fax: (314)-781-2714

Email: [Customerservice@star-mfg.com](mailto:Customerservice@star-mfg.com)

[www.star-mfg.com](http://www.star-mfg.com)

**WARRANTY EXCLUSIONS**

**THE FOLLOWING WILL NOT BE COVERED UNDER WARRANTY.**

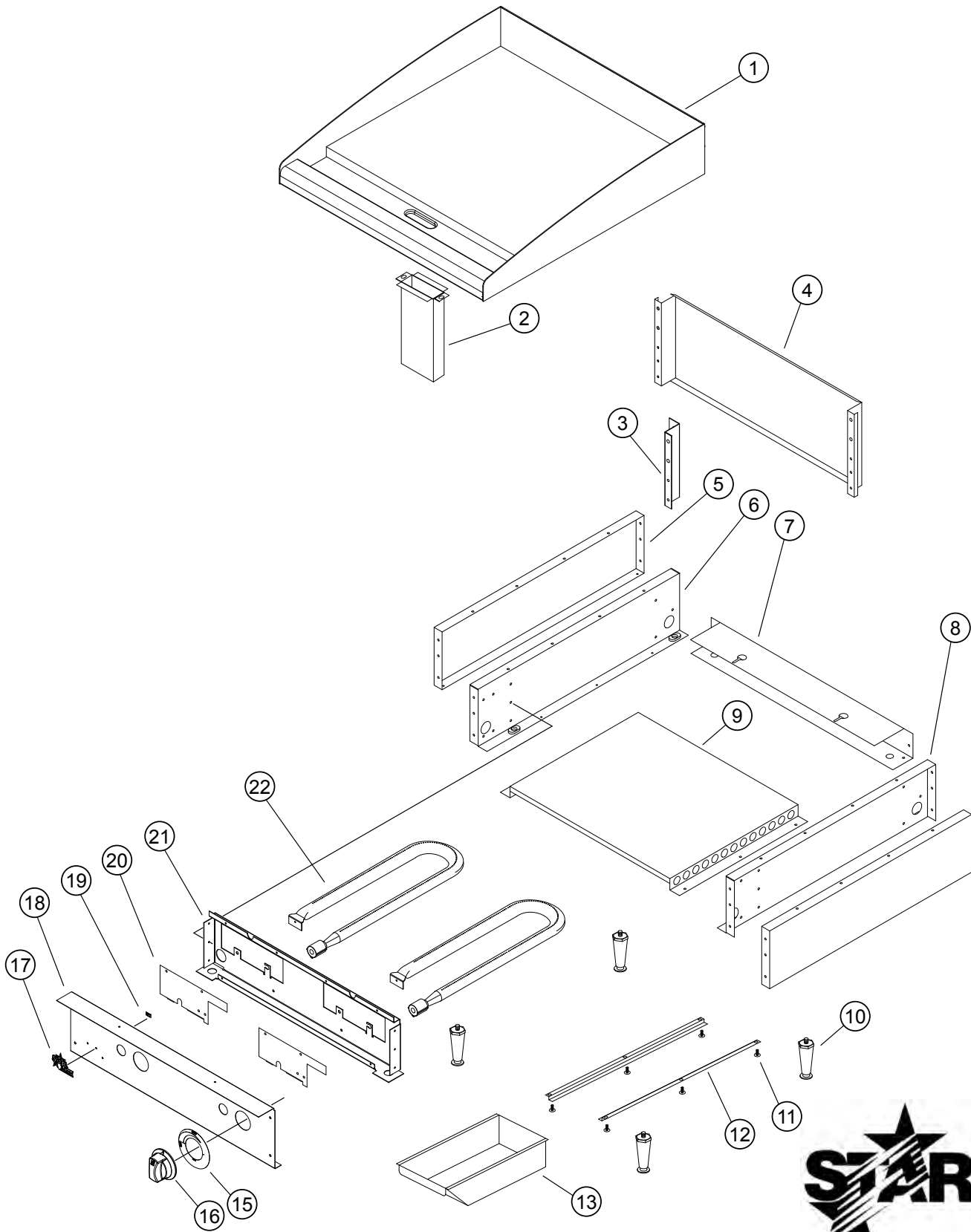
- Any product which has not been used, cleaned, maintained, or installed in accordance with the directions published in the appropriate installation sheet and/or owner’s manual as well as national and local codes, including incorrect gas, electrical, or water connection. Star is not liable for any unit which has been mishandled, abused, misapplied, subjected to chlorides, harsh chemicals, or caustic cleaners, damaged from exposure to hard water, modified by unauthorized personnel, damaged by flood, fire, or other acts of nature [or God], or which have an altered or missing serial number.
- Installation, labor, and job checkouts, calibration of heat controls, air and gas burner/bypass/pilot adjustments, gas or electrical system checks, voltage and phase conversions, cleaning of equipment, or seasoning of griddle surface.
- Replacement of fuses or resetting of circuit breakers, safety controls, or reset buttons.
- Replacement of broken or damaged glass components, quartz heating elements, and light bulbs.
- Labor charges for all removable parts in gas charbroilers and hotplates, including but not limited to burners, grates, and radiants.
- Any labor charges incurred by delays, waiting time, or operating restrictions that hinder a service technician’s ability to perform service.
- Replacement of items subject to normal wear or items that can easily be replaced during a daily cleaning routine, such as but not limited to knobs, bulbs, fuses, quartz heating elements, baskets, racks, and grease drawers.
- Components that should be replaced when damaged or worn, but have been field-repaired instead [eg. field-welded fry pots]
- Any loss of business or profits.

PRODUCTS	PARTS	LABOR
Star-Ultra Max® fryers, griddles, charbroilers, and hotplates	2 years	2 years
Star-Max® fryers, griddles, charbroilers, and hotplates	2 years	2 years
Jetstar® popcorn poppers	2 years	2 years
Staltek™ roller grill coatings	5 years	
Cast iron grates, burners; and burner shields	180 days	
Star, Toastmaster, or Holman parts sold to repair equipment	90 days	
Service First	1 year	

2M-Z16008 Star-Max Gas Griddles

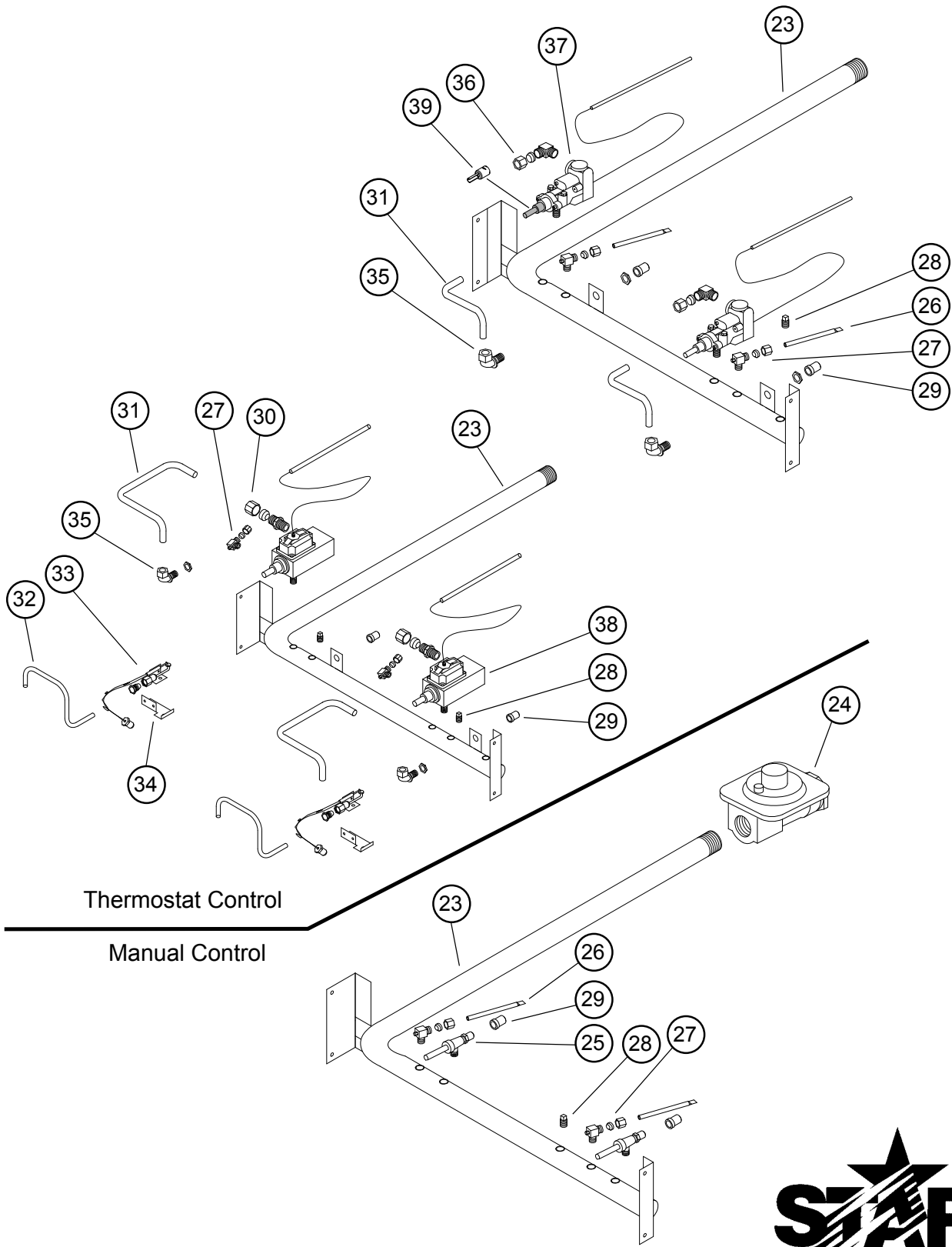


2M-Z16008 Star-Max Gas Griddles



MODEL: 624MF, 624TF, 624TSPF, 624TCHSF

STAR MANUFACTURING INTERNATIONAL, INC.  
SK2598 REV. - 06-12-12



Thermostat Control

Manual Control

2M-Z16008 Star-Max Gas Griddles



MODEL 624MF, 624TF, 624TSPF, 624TCHSF

STAR MANUFACTURING INTERNATIONAL, INC.  
SK2599 Rev. A 7-24-2015

# PARTS LIST

June 13, 2012, Rev -

Model: 615, 624, 636, 648 Star-Max Gas Griddles				
Fig No	Part No	Qty	Description	Application
1	G3-615315	1	GRIDDLE PLATE ASSEMBLY	615MF
	G3-615316			615TF
	G3-624320			624MF
	G3-624321			624TCHSF
	G3-624322			624TF, 624TSPF
	G3-624323		DIVIDED PLATE ASSEMBLY	624MF-DIV
	G3-636316		GRIDDLE PLATE ASSEMBLY	636MF
	G3-636317			636TCHSF
	G3-636318			636TF, 636TSPF
	G3-648320			648MF
	G3-648321			648TCHSF
	G3-648322			648TF, 648TSPF
	G3-648323			648TF-TFR
G3-648324	648TF-TFL			
2	G3-615304	1	CHUTE ASSEMBLY	ALL 615
	G3-624304			ALL 624, 636, 648
3	G5-Z4817	1	FLUE DIVIDER	ALL 636, 648
4	G3-Z5906	1	FLUE	615MF, 615TF
	G5-Z4812			624MF, 624TF, 624TSPF, 624TCHSF
	G5-Z4813			636MF, 636TF, 636TSPF, 636TCHSF
	G5-Z4814			648MF, 648TF, 648TSPF, 648TCHSF
5	G3-Z5945	2	SIDE PANEL	ALL
6	G3-624302	1	SIDE LINER ASSEMBLY LEFT	ALL
7	G3-Z5951	1	REAR PANEL	615MF, 615TF
	G3-Z5953			624MF, 624TF, 624TSPF, 624TCHSF
	G3-Z5955			636MF, 636TF, 636TSPF, 636TCHSF
	G3-Z5957			648MF, 648TF, 648TSPF, 648TCHSF
8	G3-624303	1	SIDE LINER ASSY RIGHT	ALL
9	G3-Z5909	1	BOTTOM	615MF, 615TF
	G3-Z5919			624MF, 624TF, 624TSPF, 624TCHSF
	G3-Z5929			636MF, 636TF, 636TSPF, 636TCHSF
	G3-Z5939			648MF, 648TF, 648TSPF, 648TCHSF
10	2A-Z5942	4	FOOT	ALL
11	2C-8823	Various	SCREW #8 x 3/8	ALL
12	G3-Z6036	2	DRAWER SLIDE	ALL
13	G3-Y7046	1	GREASE DRAWER	ALL
15	2M-Z15449	1/2/3/4	KNOB LABEL MAN LG	615MF / 624MF / 636MF / 648MF
	2M-Z15450		LABEL GAS T-STAT LG	615TF / 624TF / 636TF / 648TF
	2M-Z16011	2/3/4	KNOB LABEL GAS-TSTAT PILOT	624TSPF/ 624TCHSF/ 636TSPF/ 636TCHSF/ 648TSPF/ 648TCHSF
16	G3-Z15791	1/2/3/4	KNOB ASSY LG GAS KEYR	615TF / 624TF / 636TF / 648TF
	I4-Z15484		2/3/4	KNOB ASSY LG GAS KEYB
				624TCHSF / 636TCHSF / 648TCHSF

2M-Z16008 Star-Max Gas Griddles

**IMPORTANT: WHEN ORDERING, SPECIFY VOLTAGE OR TYPE GAS DESIRED  
INCLUDE MODEL AND SERIAL NUMBER**

**PAGE 1  
OF 3**

Some items are included for illustrative purposes only and in certain instances may not be available.



**Star International Holdings, Inc. Company**

# PARTS LIST

June 13, 2012, Rev -

Model: 615, 624, 636, 648 Star-Max Gas Griddles				
Fig No	Part No	Qty	Description	Application
17	2M-Z15804	1	STAR-MAX LOGO	ALL
18	G3-Z15797	1	FRONT PANEL	615MF
	G3-Z15798			615TF
	G3-Z15799			624MF
	G3-Z15806			624TF, 624TSPF, 624TCHSF
	G3-Z15807			636MF
	G3-Z15808			636TF, 636TSPF, 636TCHSF
	G3-Z15809			648MF
	G3-Z15810			648TF, 648TSPF, 648TCHSF
19	2C-8477	3	CLIP .125 PO STL PHOS	ALL
20	G3-Z5946	1/2/3/4	BURNER COVER	ALL 615 / 624 / 636 / 648
21	G3-Z5905	1	CENTER WALL	615MF, 615TF
	G3-Z5915			624MF, 624TF, 624TSPF, 624TCHSF
	G3-Z5925			636MF, 636TF, 636TSPF, 636TCHSF
	G3-Z5935			648MF, 648TF, 648TSPF, 648TCHSF
22	2F-Z5949	1/2/3/4	BURNER	ALL 615 / 624 / 636 / 648
23	2K-Z5960	1	MANIFOLD	615MF
	2K-Z5961			615TF
	2K-Z5962			624MF, 624MFS
	2K-Z5963			624TF, 624TSPF, 624TCHSF
	2K-Z5964			636MF, 636MFS
	2K-Z5965			636TF, 636TSPF, 636TCHSF
	2K-Z5966			648MF, 648MFS
	2K-Z5967			648TF, 648TSPF, 648TCHSF
24	2J-Z0792	1	PRESSURE REGULATOR	NAT UNITS
	H3-Z4557		REGULATOR-GAS 3/4 NPT LP	LP UNITS
25	2V-Y8832	1/2/3/4	VALVE-MANUAL GAS	615MF / 624MF / 636MF / 648MF
26	2V-Z6647	1/2/3/4	PILOT BURNER	615MF / 624MF / 636MF / 648MF
				615TF / 624TF / 636TF / 648TF
27	2V-6671	1/2/3/4	PILOT VALVE	ALL 615 / 624 / 636 / 648
28	2P-1453	1	PIPE PLUG	615MF, 624MF, 636MF, 648MF
				615TF, 624TF, 636TF, 648TF
		3/4/5		624TSPF / 636TSPF / 648TSPF
				624TCHSF / 636TCHSF / 648TCHSF
29	2A-Y1255	2/3/4	ORIFICE PROPANE	624 / 636 / 648 LP
	2A-Z4930	1/2/3/4	ORIFICE #41, NAT	624 / 636 / 648 NAT
30	2K-Z5968	2/3/4	FITTING 1/4 MPT X 3/8 CC	624TSPF / 636TSPF / 648TSPF
				624TCHSF / 636TCHSF / 648TCHSF
31	2K-Z4921	2/3/4	BURNER TUBE	624TSPF / 636TSPF / 648TSPF
		1/2/3/4		624TCHSF / 636TCHSF / 648TCHSF
				615TF / 624TF / 636TF / 648TF
32	2K-Z6081	2/3/4	PILOT TUBE	624TSPF / 636TSPF / 648TSPF
				624TCHSF / 636TCHSF / 648TCHSF

2M-Z16008 Star-Max Gas Griddles

**IMPORTANT: WHEN ORDERING, SPECIFY VOLTAGE OR TYPE GAS DESIRED  
INCLUDE MODEL AND SERIAL NUMBER**

**PAGE 2  
OF 3**

Some items are included for illustrative purposes only and in certain instances may not be available.



**Star International Holdings, Inc. Company**

# PARTS LIST

June 13, 2012, Rev -

Model: 615, 624, 636, 648 Star-Max Gas Griddles				
Fig No	Part No	Qty	Description	Application
33	2J-Z0804	2/3/4	THERMOCOUPLE-PILOT	624TSPF / 636TSPF / 648TSPF
				624TCHSF / 636TCHSF / 648TCHSF
34	G3-Z6124	2/3/4	PILOT BRACKET	624TSPF / 636TSPF / 648TSPF
				624TCHSF / 636TCHSF / 648TCHSF
35	2A-9369	1/2/3/4	ORIFICE FITTING	615TF / 624TF / 636TF / 648TF
		2/3/4		624TSPF / 636TSPF / 648TSPF
				624TCHSF / 636TCHSF / 648TCHSF
36	2K-Y7111	1/2/3/4	ELBOW 1/4 MBT X 3/8 CC	615TF / 624TF / 636TF / 648TF
37	2T-Z4293	1/2/3/4	THERMOSTAT	615TF / 624TF / 636TF / 648TF
38	2J-Z5959	2/3/4	COMBINATION CONTROL	624TSPF / 636TSPF / 648TSPF
				624TCHSF / 636TCHSF / 648TCHSF
39	2T-Y7590	1/2/3/4	STEM-T-STAT	615TF / 624TF / 636TF / 648TF

2M-Z16008 Star-Max Gas Griddles

**IMPORTANT: WHEN ORDERING, SPECIFY VOLTAGE OR TYPE GAS DESIRED  
INCLUDE MODEL AND SERIAL NUMBER**

PAGE 3  
OF 3

Some items are included for illustrative purposes only and in certain instances may not be available.



**Star International Holdings, Inc. Company**

## ENTRETIEN DU GRIL (SURFACES CHROMÉES)

Il faut très peu de temps et d'efforts pour garder la surface de ce gril en chrome industriel étincelante et maintenir ses prestations optimales. NE PAS laisser la graisse s'accumuler car elle deviendra carbonisée et difficile à enlever. Pour prévenir cette situation, les mesures de nettoyage suivantes devraient être suivies:

1. **Enlever l'excédent d'huile et d'aliments régulièrement avec une raclette de type lame à rasoir** de 100 mm (4 po) de large, et essuyer la surface à l'aide d'un chiffon humide, si désiré.
2. Suite au raclage, pour le nettoyage de la fin de la journée, on peut utiliser un chiffon humide et un nettoyant non chloré, non abrasif et non silicatisé, tel que le Bon Ami, pour nettoyer la surface. Il suffit ensuite d'essuyer avec un chiffon propre humide.
3. Suivre les étapes 2 et 3 de la section Entretien du gril (surfaces non chromées).



1. **Ne jamais** utiliser de pierre ponce, de pierres à gril ou d'abrasifs sur la surface.
2. **Ne jamais** frapper la surface du gril avec un instrument affilé ou un bord de spatule.
3. **Ne jamais** utiliser de laine d'acier.
4. **Ne jamais** utiliser de nettoyant liquide commercial sur la surface du gril.
5. Une **utilisation abusive de la surface annule la garantie.**

## EXCLUSIONS DE LA GARANTIE LIMITÉE SUR LE GRIL CHROME-MAX™

Votre gril Chrome-Max™ a été conçu de manière à vous donner de nombreuses années de cuisson fiable et il ne nécessite qu'un entretien minimum pour maintenir la surface chromée dans son état d'origine. Tous les grils Chrome-Max™ sont garantis pendant une période de cinq ans contre les vices de fabrication au propriétaire initial, depuis la date d'installation. Cette garantie limitée est nulle si Star Manufacturing International Incorporated ou l'un de ses représentants autorisés détermine que la surface chromée a été utilisée de manière erronée, a fait l'objet d'un usage abusif ou a été sujette aux situations suivantes:

1. Installation inappropriée.
2. Ajustements de dérivation non effectués adéquatement sur les appareils à gaz, ce qui a pour conséquences une surchauffe de l'appareil et une décoloration de la surface chromée. (Voir ajustement de dérivation dans le manuel d'instructions fourni avec l'appareil.)
3. Utilisation erronée de tout instrument ou outil qui raye ou entaille la surface, ce qui pourrait causer un détachement ou éclatement de la surface.
4. Utilisation de tout produit chimique ou solution nettoyante abrasive, brique de gril, pierre, tamis ou autres produits nettoyants qui pourraient abîmer et compromettre les prestations de la surface chromée.
5. Négligence dans l'entretien régulier journalier sur la surface en chrome.

## **AJUSTEMENT DES BRÛLEURS (MODÈLES TD, TCHSD et TSPD SEULEMENT)**

1. Enlevez le panneau avant.
2. Pousser le cadran vers l'intérieur et mettre le thermostat d'un brûleur à 229.9oC (450oF).
3. Fermer le volet d'air de manière à donner une flamme bleue douce ayant des pointes lumineuses et ouvrir jusqu'à un point où les pointes jaunes disparaissent et une flamme bleue dure est obtenue. Répéter pour tous les brûleurs.

## **FONCTIONNEMENT DES BRÛLEURS (MODÈLES MD et MDS SEULEMENT)**

Pour allumer les brûleurs, tourner le bouton du robinet du brûleur à la position "HI." Chaque brûleur est commandé par un robinet individuel haut-bas, marche-arrêt. On peut obtenir un nombre infini de températures en tournant le bouton du robinet du brûleur à une position entre haut et bas. Pour l'arrêt durant la nuit, tournez les valves à la position de "OFF."

## **CONDITIONNEMENT DE LA SURFACE CHAUFFANTE DU GRIL (SURFACES NON CHROMÉES)**

Nettoyer soigneusement la surface du gril. Une fois bien nettoyé, le gril devrait être conditionné pour empêcher les aliments de coller. Avant usage et après chaque nettoyage en profondeur, conditionner la surface chauffante du gril de la manière suivante:

1. Tourner le cadran de contrôle de température à 174.9oC (350oF).
2. À l'aide d'un chiffon propre, et non d'une spatule, étendre une pellicule mince d'huile de cuisson ou de matière grasse sur la surface de cuisson du gril. Cette pellicule doit demeurer une demi-heure sur la surface chaude du gril.
3. Enlever l'excédent de graisse et essuyer.
4. Appliquer une autre pellicule d'huile de cuisson sur la surface de cuisson chaude pendant une autre demi-heure, puis retirer à nouveau l'excédent de graisse et essuyer. La surface du gril devrait maintenant être prête à usage.

Même avec un conditionnement soigné, les aliments peuvent, dans une certaine mesure, adhérer à la surface de cuisson jusqu'à ce que la plaque du gril soit "rodée".

## **CUISSON (MODÈLES TD, TCHSD et TSPD SEULEMENT)**

Mettre le bouton du cadran du thermostat à la température désirée. Après une brève période de préchauffage, le thermostat maintient automatiquement la température choisie.

## **BAC À GRAISSE**

Le bac à graisse, situé à l'avant, peut être enlevé depuis l'avant pour le nettoyage. Ce bac doit être vérifié et vidé au besoin.



**REDOUBLER DE PRUDENCE EN MANIANT LE BAC À GRAISSE CONTENANT DE LA GRAISSE CHAUDE.**

## **ENTRETIEN DU GRIL (SURFACES NON CHROMÉES)**

Il faut très peu de temps et d'efforts pour garder le gril attrayant et maintenir des prestations optimales. Si on la laisse s'accumuler, la graisse forme une agglutination gommeuse pour ensuite se carboniser en une substance dure qui est extrêmement difficile à enlever. Pour prévenir cette situation, les mesures suivantes de propreté devraient être suivies:

1. Après chaque usage, racler le gril à l'aide d'une raclette ou d'une spatule flexible pour enlever l'excédent de graisse et d'aliments. Un récipient à déchets est prévu pour les raclures. Si le gras et les aliments deviennent excessivement calcinés, le gril doit être récuré soigneusement, puis reconditionné. Utiliser une pierre ponce ou une pierre à gril pendant que le gril est chaud. Ne pas utiliser de laine d'acier en raison du risque que des éclats d'acier pénètrent dans les aliments.
2. Tous les jours - utiliser un chiffon propre et un bon nettoyeur non abrasif pour nettoyer le corps en acier inoxydable du gril. Essuyer le devant poli à l'aide d'un chiffon doux.
3. Au moins une fois par jour, retirer le tiroir à déchets et laver de la même façon qu'un ustensile de cuisson ordinaire. Le tiroir s'enlève en tirant vers l'avant, le haut et l'extérieur.

## LA RELIANT LIGNE DE LA PROVISION DU GAZ

L'entrée du gaz du grils est scellée à l'usine pour prévenir entrée de saleté. N'enlevez pas ce cachet jusqu'à ce que le réel rapport soit fait à la ligne de la provision du gaz.

## VÉRIFIER POUR LES FUITES DU GAZ

Savon et solution de l'eau ou autre matière acceptable pour le but, sera utilisé dans localiser la fuite du gaz. Égaut, flamme de la bougie ou autres sources d'ignition ne seront pas utilisées pour ce but. Le chèque système de la tuyauterie entier pour les fuites.

## INSTRUCTIONS D'ALLUMAGE

Au premier allumage, le gril émettra de la fumée jusqu'à ce que les huiles de préservation et les impuretés soient complètement brûlées.

1. Fermer la vanne d'alimentation principale à l'appareil et attendre 5 minutes jusqu'à disparition du gaz.
2. Fermer tous les boutons et les robinets des flammes de veille.
3. Ouvrir la vanne principale et allumer toutes les flammes de veille.
4. Tourner les boutons de brûleur au réglage désiré.
5. Pour fermer les brûleurs, tourner les boutons à la position d'arrêt.



**MISE EN  
GARDE**

**REMARQUE: Les grils sont équipés de lampes de veille permanentes et doivent être allumés immédiatement après ouverture du gaz.**

La flamme pilote peut être allumée et vue par le panneau avant. Cependant, le meilleur accès pour allumer la lampe pilote est du fond de l'unité juste derrière le mur central.

## INSTRUCTIONS D'ALLUMAGE (SÉRIES TCHSZ ET TSPZ)

1. Tournez les boutons de commande à la position de "OFF."



**MISE EN  
GARDE**

**Si les clapets à gaz ont été allumés et le gaz s'est échappé par les brûleurs, tournez "OFF" brûleurs et attendez 5 minutes pour dégager le gaz.**

2. Tournez le bouton de commande à la position "PILOTE", enfoncez et tenez le bouton tout en allumant le pilote. Tenez le bouton dedans pendant 60 secondes ou jusqu'aux séjours pilotes s'est allumé. (Répétition pour toutes les sections de brûleur.)
3. Tenez et tournez le bouton de commande à la température désirée.
4. Pour tourner les brûleurs arrêtent le bouton à la position "PILOTE."
5. Pour arrêter le gaz, tournez le bouton à la position de "OFF." Les pilote lampes doivent être allumées encore afin de cuire.

## AJUSTEMENT DES FLAMMES DE PILOTES

Mettre les flammes de veille à un réglage aussi bas que possible, mais suffisamment élevé pour allumer le brûleur immédiatement lorsque le robinet du brûleur est ouvert à réglage élevé.

## AJUSTEMENT DES LAMPES PILOTES DE SÛRETÉ (SÉRIES TCHSF ET TSPF SEULEMENT)

Une soupape de commande manuelle est fournie du côté gauche de la commande pour ajuster la flamme pilote. Ajustez la flamme pilote de sorte qu'elle soit approximativement 3/8 à 1/2" grands et une forme uniforme de cône.

## AJUSTEMENT DES BRÛLEURS (MODÈLES MF SEULEMENT)

1. Enlevez le panneau avant.
2. Tourner le bouton du robinet du brûleur à la position "HI."
3. Fermer le volet d'air de manière à donner une flamme bleue douce ayant des pointes lumineuses et ouvrir jusqu'à un point où les pointes jaunes disparaissent et une flamme bleue dure est obtenue. Répéter pour tous les brûleurs.



## **APPROVISIONNEMENT D'AIR**

S'assurer de ne pas obstruer l'écoulement d'air de ventilation et de combustion. Des mesures doivent être prises pour obtenir un approvisionnement d'air adéquat. Les jambes fournies avec l'unité doivent être installées. S'assurer que les ouvertures d'admission d'air au bas de l'appareil ne sont pas obstruées. Elles sont essentielles à une bonne combustion et au fonctionnement approprié de l'appareil.

## **HOTTE D'ÉCHAPPEMENT**

Il est essentiel de prendre des mesures au-dessus du gril pour l'échappement des fumées et des gaz. Cependant, l'appareil ne doit pas être raccordé directement à un conduit d'évacuation ou à une cheminée.

## **UNITÉ DE MISE À NIVEAU**

Ce gril est pourvu de quatre pieds qui doivent être vissés dans les montants fixés au corps. On met l'appareil à niveau en ajustant les quatre pieds qui ont un ajustement de 43.75 mm (1 3/4 po) en vue d'un alignement exact et parfait avec les autres unités.

**NE PAS INSTALLER SANS POSER LES PIEDS - NE PAS RETIRER LES PIEDS.**

## **CANALISATION DE GAZ**

La canalisation de gaz doit être de dimensions et installée de manière à assurer un approvisionnement de gaz suffisant pour répondre aux besoins de gaz de l'appareil. Si l'appareil doit être raccordé à une canalisation existante, il faut la vérifier pour déterminer si sa capacité est adéquate. Du mastic à joints doit être utilisé modérément et uniquement sur les filets mâles des joints de tuyau. Ces mastics devront être résistants à l'action des gaz de propane liquéfié. **MISE EN GARDE:** Toute particule lâche de saleté ou de métal qu'on laisse pénétrer dans la canalisation de gaz de cet appareil abîmera le robinet et affectera son fonctionnement. En installant cet appareil, s'assurer que tous les tuyaux et raccords sont exempts de saleté lâche.

## **LE RÉGULATEUR DE LA PRESSION DU GAZ**

Un régulateur de la pression convertissable est fourni chaque plaque chauffante. Il devrait être relié à la pipe d'entrée à l'arrière de l'unité. La ligne de la provision du gaz est reliée à lui alors. Il est transporté résolu pour 15.24cm (6 po) colonne de l'eau diverse pression pour usage avec le gaz naturel.

## **ROBINET D'ARRÊT MANUEL**

Un robinet d'arrêt manuel doit être posé en amont du raccord et à moins de 1.829 m (6 pieds) de cet appareil.

## **GAZ PROPANE**

Ce gril est équipé de capots fixes et est expédié de l'usine pour usage sur le gaz naturel. Pour convertir au gaz du propane, installez les capuchons de l'orifice du brûleur, localisés dans le tiroir de la graisse, comme suit:

1. Retirer le tableau de commande en enlevant les vis situées à l'avant et en bas.
2. Retirer le(s) brûleur(s) du(des) capot(s). Ceci est accompli en enlevant les vis de support de brûleur et en se glissant les brûleurs des capots.
3. Retirer le(s) capot(s) de gaz naturel et poser le(s) capot(s) de propane fourni(s).
4. Remettre le(s) brûleur(s) en place.
5. Remettre le tableau avant en place.
6. Enlevez les emboîté, ou sort - enfilé, bouchez de le régulateur de la pression. Inversez le bouchon et le ré installe. Les lettres " LP " devrait être maintenant visible sur le bouchon. Le régulateur est maintenant mis pour 25.4 cm (10 po) colonne de l'eau.
7. Mettez la diverse pression à 25.4 cm (10 po) eau la colonne. Un 1/8 " bouchon de la pipe sur la boîte de la pipe de la provision que soit enlevé pour attacher une jauge de pression.



## DONNÉES GÉNÉRALES D'INSTALLATION



Cet équipement est conçu et vendu pour usage commercial seulement par des employés formés et expérimentés sur son usage, et il ne doit pas être vendu pour utilisation par des consommateurs dans et autour de la maison ni pour usage directement par le grand public dans les établissements de service alimentaire. Prière de se mettre en contact avec l'usine pour l'équipement devant être utilisé par le grand public.

Les grils modèle Star-Max™ sont équipés pour usage avec les types de gaz précisés sur la plaque signalétique.

Tous les appareils sont expédiés de l'usine pour usage avec le gaz naturel. L'appareil peut facilement être converti pour usage avec le propane: voir gaz propane.

### -IMPORTANT-

**L'installation de l'appareil doit se conformer au CODE NATIONAL DE GAZ COMBUSTIBLE "ANSI Z223.1 - TOUTE DERNIÈRE ÉDITION" DES ÉTATS-UNIS ET À TOUTES LES RÈGLES ET RÉGLEMENTATIONS DE LA COMPAGNIE DE GAZ LOCALE.**

**AU CANADA, L'INSTALLATION DOIT ÊTRE CONFORME AU CODE COURANT D'INSTALLATION AU GAZ NATUREL CAN/CGA-B149.1 OU AU CODE DE INSTALLATION AU PROPANE CAN/CGA-B149.2 ET AUX CODES LOCAUX, LE CAS ÉCHÉANT.**



Des erreurs lors de l'installation, du réglage, de l'altération, des réparations ou de l'entretien peuvent causer des dommages matériels, des blessures ou la mort. Lire attentivement les instructions d'installation, d'utilisation et d'entretien avant d'installer ou de réparer l'équipement.



**POUR VOTRE SÉCURITÉ, NE PAS CONSERVER NI UTILISER DE L'ESSENCE OU D'AUTRES VAPEURS ET LIQUIDES INFLAMMABLES À PROXIMITÉ DE CET APPAREIL OU DE TOUT AUTRE APPAREIL. TENIR TOUT COMBUSTIBLE À L'ÉCART DE L'APPAREIL.**

Cet appareil, son régulateur de pression et son robinet d'arrêt individuel doivent être débranchés du système d'approvisionnement en gaz durant tout essai de pression de ce système à des pressions d'essai de plus de 3.45 kPa (0.5 lb/po<sup>2</sup>). Cet appareil et son régulateur de pression doivent être isolés du système d'alimentation en gaz en fermant son robinet d'arrêt manuel individuel durant tout essai de pression du système d'approvisionnement en gaz à des pressions d'essai égales ou inférieures à 3.45 kPa (0.5 lb/po<sup>2</sup>). Pour votre protection, nous vous recommandons de confier l'installation de cet appareil à une agence d'installation qualifiée. Celle-ci doit connaître les installations au gaz et les exigences de votre localité pour le gaz. L'installation définitive doit être soumise à l'approbation de votre compagnie de gaz. En outre, on doit apposer, bien en vue, des instructions détaillées à suivre dans l'hypothèse où l'opérateur sent une odeur de gaz. On peut se procurer les instructions auprès du fournisseur de gaz local.



Si vous sentez une odeur de gaz -

1. Ne touchez pas aux interrupteurs électriques.
2. Éteignez toute flamme nue.
3. Appelez immédiatement compagnie de gaz.

**TENEZ TOUT COMBUSTIBLE À L'ÉCART DE L'APPAREIL.**

### DÉGAGEMENT

Pour usage uniquement sur les comptoirs non combustibles. Les matières combustibles et non combustibles doivent être à au moins 120 cm (48 po) du dessus de l'appareil et à 150 mm (6 po) des côtés et de l'arrière. Un dégagement adéquat doit également être prévu pour le fonctionnement et les réparations.

## SYMBOLE DE SÉCURITÉ



Ces symboles sont utilisés pour souligner à l'utilisateur les instructions d'utilisation ou d'entretien importantes contenues dans le manuel qui accompagne l'appareil.

---

## CONSERVEZ CE MANUEL POUR RÉFÉRENCE FUTURE AVIS

L'utilisation de toute pièce autre que les pièces d'origine STAR dégage le fabricant de toute responsabilité.

Star se réserve le droit de changer les spécifications et la conception du produit sans préavis. Ces changements ne donnent pas le droit à l'acheteur d'obtenir les changements, améliorations, ajouts ou remplacements correspondants pour l'équipement acheté préalablement.

Dû aux modifications périodiques de dessins, méthodes, procédures, règles et régulations, les spécifications contenues dans ce manuel sont susceptibles de changer sans préavis. Quoique STAR Manufacturing exerce la bonne foi de fournir le renseignement correct, STAR n'est pas responsable pour les erreurs ou les omissions dans le renseignement pourvu ou les conclusions tirées à la suite de l'utilisation des spécifications. En utilisant le renseignement pourvu, l'utilisateur assume tous les risques en relation avec telle utilisation.

## ENTRETIEN ET RÉPARATIONS

Contactez votre détaillant local pour les réparations ou l'entretien requis. Assurez-vous d'avoir le numéro de modèle, le numéro de série, le voltage et la date d'achat pour un service plus rapide. Entrez l'information requise ci-dessous pour référence rapide.

N° de modèle \_\_\_\_\_

N° de série \_\_\_\_\_

Voltage \_\_\_\_\_

Date d'achat \_\_\_\_\_

### Agent de service autorisé

Voir la liste pourvue avec l'appareil

Ou

Pour une liste mise à jour voir :

Site web : [www.star-mfg.com](http://www.star-mfg.com)  
Courriel : [customerservice@star-mfg.com](mailto:customerservice@star-mfg.com)

# StarMax<sup>®</sup>

## GRILS A GAZ

MODEL

615TF, 615MF

624TF, 624MF, 624TSPF, 624TCHSF

636TF, 636MF, 636TSPF, 636TCHSF

648TF, 648MF, 648TSPF, 648TCHSF

### Instructions d'installation et d'opération

2M-Z16008 Rev. A 8/08/12

