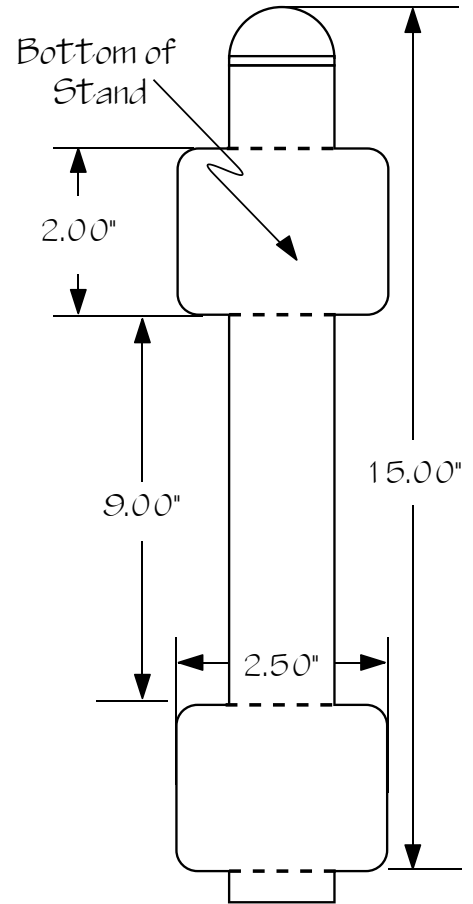
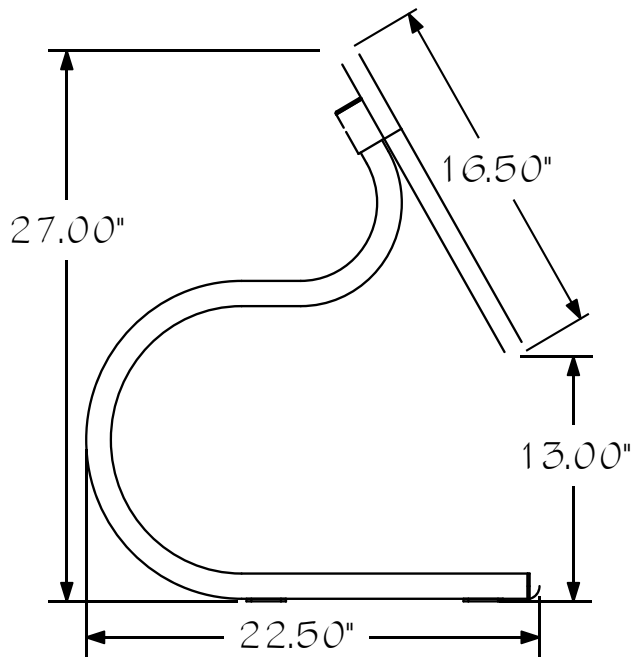
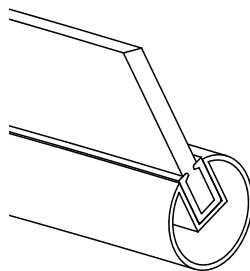


SPECIFICATIONS



FOLDING PORTABLE



- Exclusive extruded 1" Groove Tube
- Mounted in rubber gasket
- 1.25" aluminum stands
- Scratch resistant acrylic food shield
- Powder coated finish

<i>Black</i>	<i>Gold</i>	<i>Nominal Length</i>	<i>Overall Length</i>	<i>Between Stands</i>	<i>Weight</i>
0801	0802	2 foot*	25.5"	20.5"	8 lbs
0901	0902	3 foot*	34.75"	29.75"	9 lbs
1001	1002	4 foot	46.75"	41.75"	10 lbs
1101	1102	5 foot	58.75"	53.75"	13 lbs
1201	1202	6 foot	70.75"	65.75"	14 lbs
1281	1282	8 foot	94.75"	89.75"	18 lbs

**One leg does not lock in a closed position due to short length of guard.*

Silver available upon request Call for quote on substituting tempered glass for Acrylic food shield.

Phone: 800-569-2056

Central Restaurant Products