

FALSE PANEL KIT - 05700-002-52-89



WARNING: This kit should be installed only by qualified service personnel to reduce the risk of electric shock, serious injury, or fire. A plumbing permit and the services of a licensed plumber and electrician might be required in some areas.

Turn off the power supply and place the dishwasher disconnect (if applicable) in the off position. Lock-out/Tag-out to prevent the power supply from being turned back on inadvertently. Shut-off incoming water.

CAUTION: Failure to install these kits within the guidelines might adversely affect safety, performance, component life, and warranty coverage.

TOOLS REQUIRED

- Phillips Screwdriver
- Metal-cutting Tool (I-HH Only)

PARTS INCLUDED

05700-002-52-89

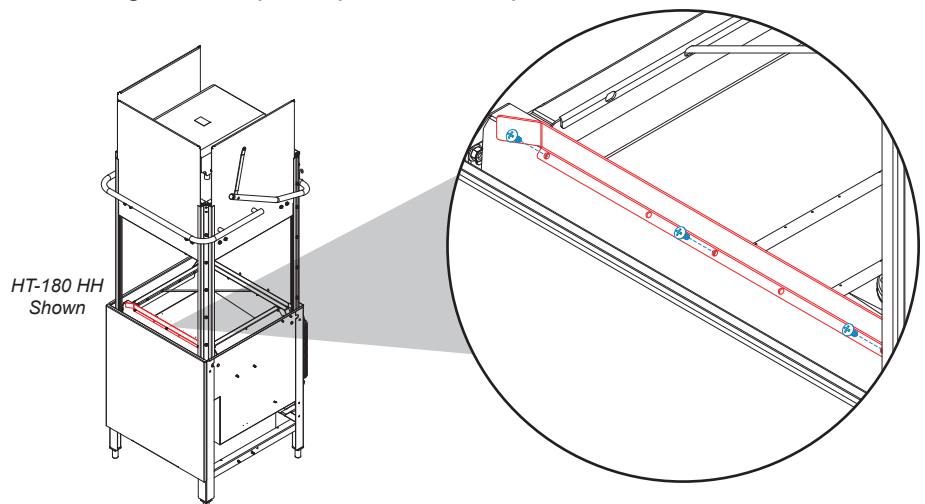
| QTY | DESCRIPTION | PART NUMBER |
|-----|--------------------------------------|-----------------|
| 1 | False Panel | 05700-002-52-54 |
| 2 | Screw, 10-24 x 1/2" | 05305-173-18-00 |
| 2 | Locknut, 10-24 Hex with Nylon Insert | 05310-373-01-00 |

FALSE PANEL INSTALLATION

1. Open the door and remove the front rack rail from the track assembly. Discard the rack rail if installing the false panel, keep the hardware, and proceed to Step 3. If not installing the false panel, proceed to Step 2.

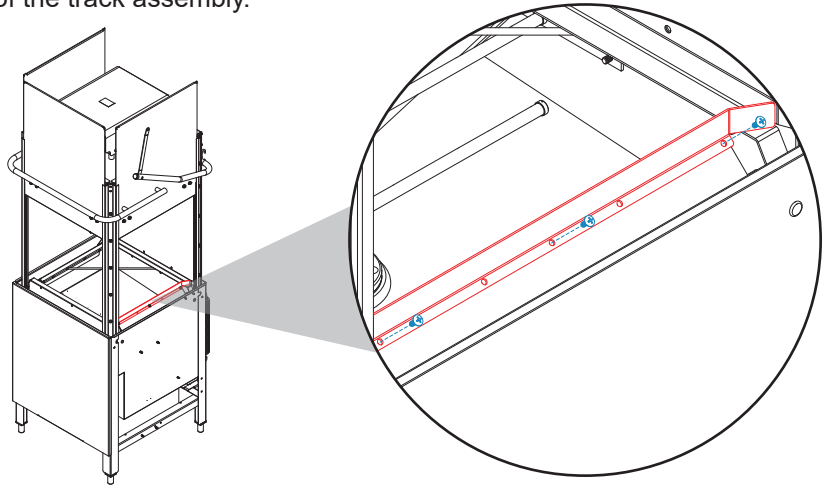
The dishwasher comes configured for a straight-through operation, so the track assembly must be converted for a corner operation before installing.

HT-180 HH shown. False Panel Installation is the same for I-HH.



FALSE PANEL INSTALLATION

2. If not using the false panel, install the rack rail and hardware from Step 1 on the right-side of the track assembly.

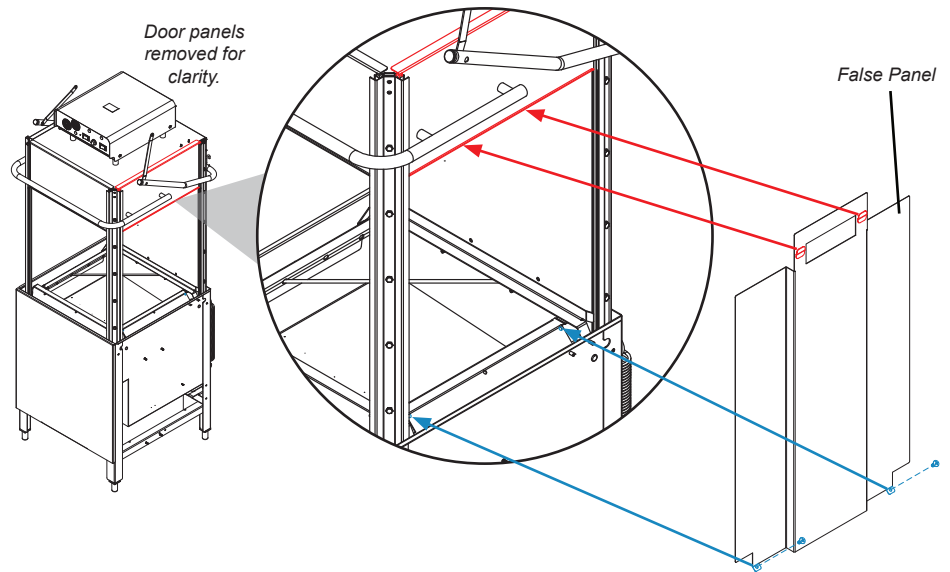


3. If using the false panel, secure top of the panel to the right-side of machine hood using the two slots on the panel, then secure bottom to the track assembly.

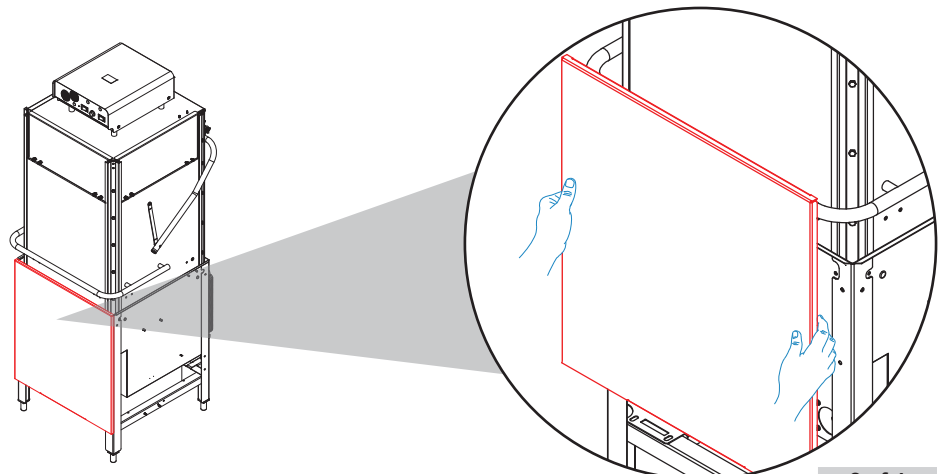


The false panel *MUST* be installed before the machine is placed in the corner.

For corners with wall surfaces that are susceptible to water damage, the optional false panel reduces the amount of water hitting the wall whenever the door is raised.



4. Remove and discard the front dress panel to allow access for service (very difficult to remove after tables are installed).

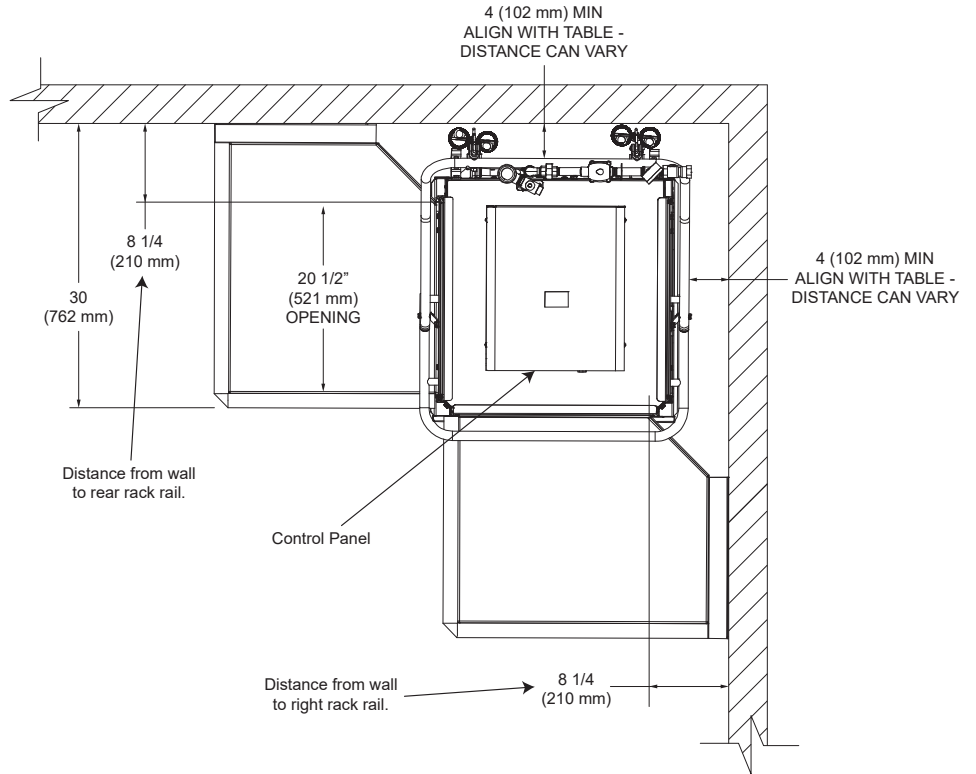


CORNER INSTALLATION

HT-180 HH shown. Corner Installation is the same for I-HH except for Step 2.

Utilities that are hard to reach should be installed before the tables are installed.

1. Locate the dishwasher so the control panel faces into the room and can be accessed by the operator.

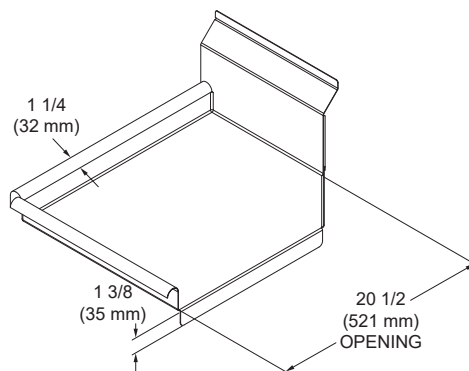


2. On I-HH only, cut a notch in the table backsplash on the right side of the machine to allow the door handle to lower completely.

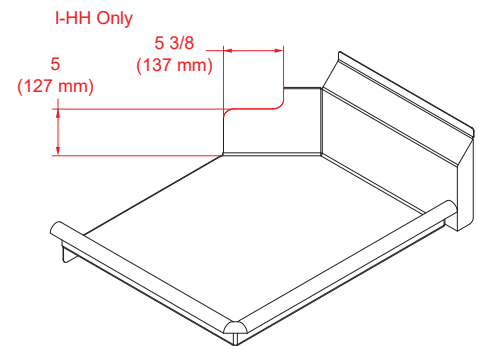


WARNING! *On the I-HH only, a notch must be cut in the table backsplash on the right side of the machine. This requires extreme caution and the use of special tools.*

Left-side Table



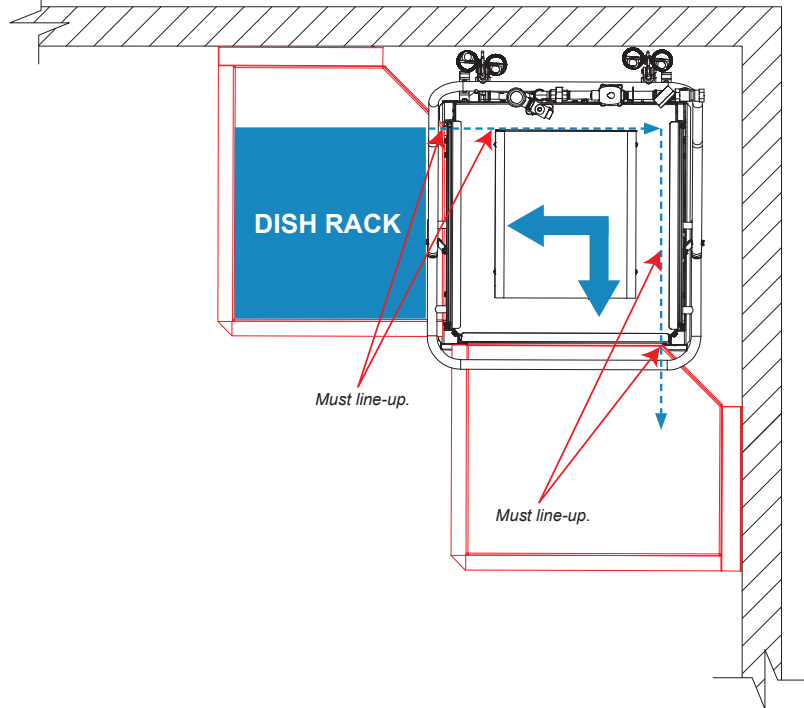
Right-side Table



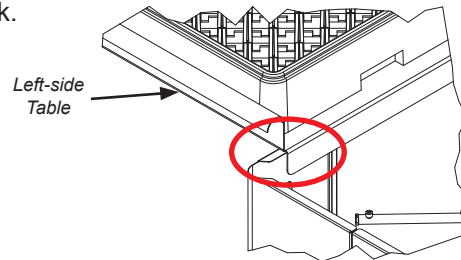
CORNER INSTALLATION

The dish tables are stationary, so the dishmachine must be moved until the rack rails line-up with the proper locations on the dish tables. As a result, distances from the wall might vary.

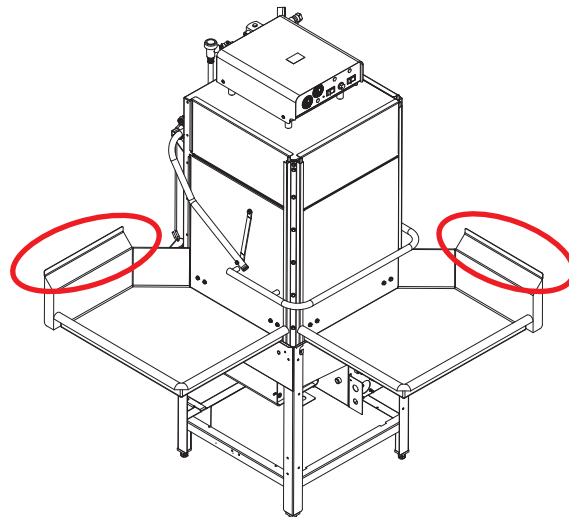
- The dishmachine must be located so the dish tables and the rack rails in the dishmachine align for proper loading and unloading of dish racks.



- Install the dish tables so the edge of each table fits over the inner wall of the dishmachine tank.



- Seal each dish table joint with a food-grade sealant to prevent leaks.



- Connect remaining utilities according to manufacturer's instructions and all applicable codes and regulations.