



AJX-44

Project _____
 Item _____
 Quantity _____
 CSI Section 11400
 Approval _____
 Date _____

AJX-44

Models

AJX-44



Standard Features

- 25" clearance accommodates larger wares, such as sheet pans, mixing bowls, etc.
- Exclusive EnergyGuard™ controls
- Fully automatic, including auto-fill
- Incoming water-pressure regulator
- Electromechanical controls
- Adjust-A-Peak™ adjustable conveyor speed allows machine to extend wash time and rinse contact for heavy soil conditions
- Self-draining stainless steel wash pump
- Front dress panel
- Stainless steel scrap baskets
- Splash shields
- Strikeplate table-limit switch
- Externally operated drain lever
- Adjustable bullet feet
- Stainless steel frame and legs
- Exhaust vent fan control
- 18kW wash tank heater

Mandatory Specs

Specify:

- Electric Steam

Specify Voltage _____

Specify Sanitizing Method:

- High Temperature
 Chemical Sanitizing

Specify Direction of Operation:

- Left to Right
 Right to Left

Options

- Booster Heater
 40° F (22.2° C) Rise - 17kW
 70° F (38.9° C) Rise - 30kW
 Steam Booster Heater
 23" (584 mm) Unhooded Side Loader
 23" (584 mm) Hooded Side Loader
 30" (762 mm) Unhooded Side Loader
 30" (762 mm) Hooded Side Loader
 Flanged Feet
 Blower Dryer
 Vent Cowl Collars (set of 2)
 Prison Package

Accessories

- 36-Compartment Rack
 4-1/8" tall (105 mm)
 5 - 5/8" tall (143 mm)
 7" tall (178 mm)
 Combination Rack
 Peg Rack
 Sheet Pan Rack
 Drain Quench System
 Scaltrol
 Water Hammer Arrestor

Specifications

High-temperature model uses 0.68 gallons (2.57 liters) per rack. Chemical-sanitizing model uses 0.78 gallons (2.95 liters) per rack

High-temperature model cleans 225 racks per hour. Chemical-sanitizing model cleans 209 racks per hour

8" (203 mm) splash shields on both wash and rinse ends

25" (635 mm) chamber height clearance accommodates larger wares

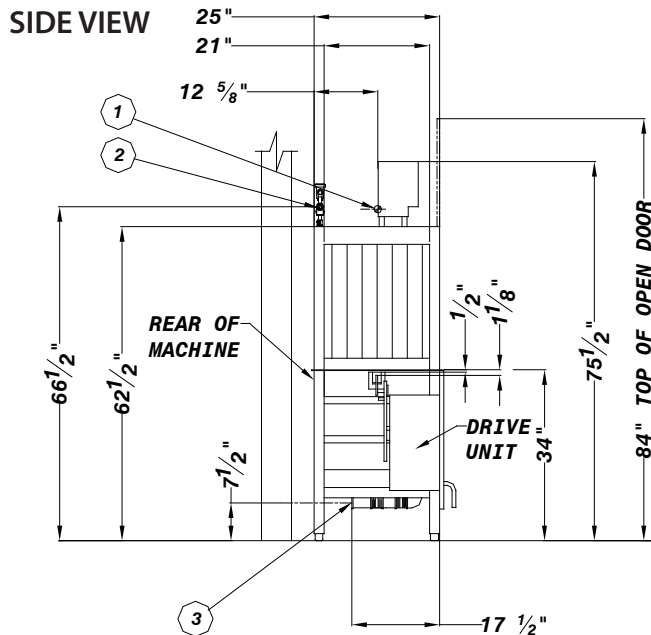
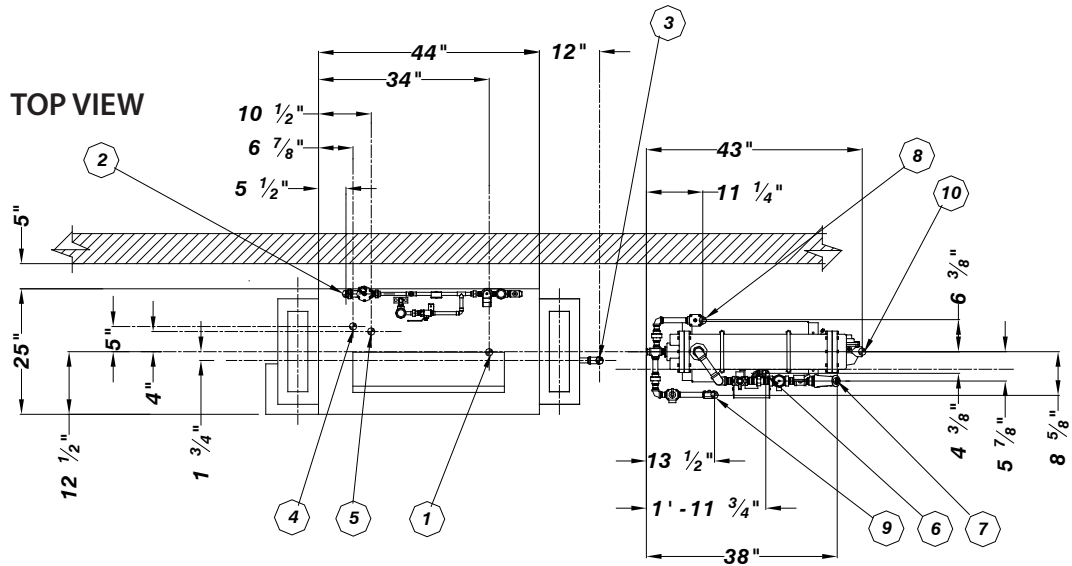
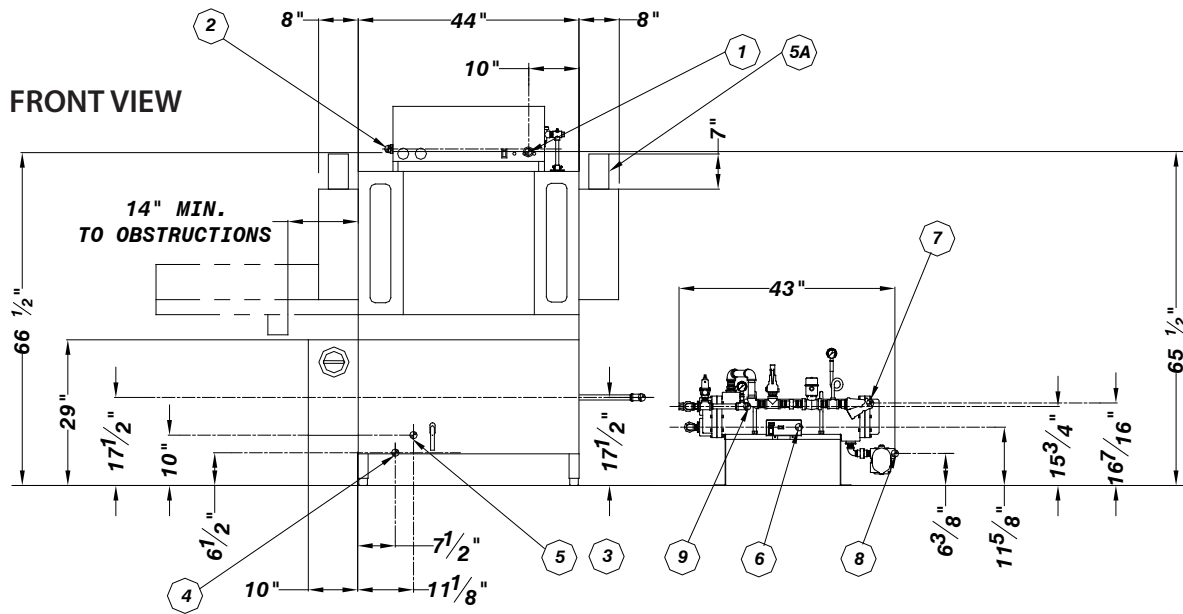
18" (457 mm) wash section with an 18" (457 mm) separation between wash and rinse

Stainless steel construction



AJX-44

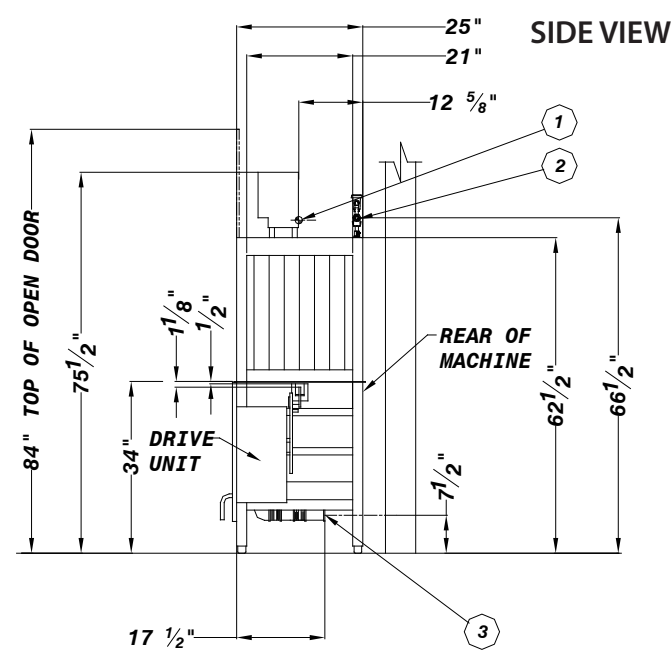
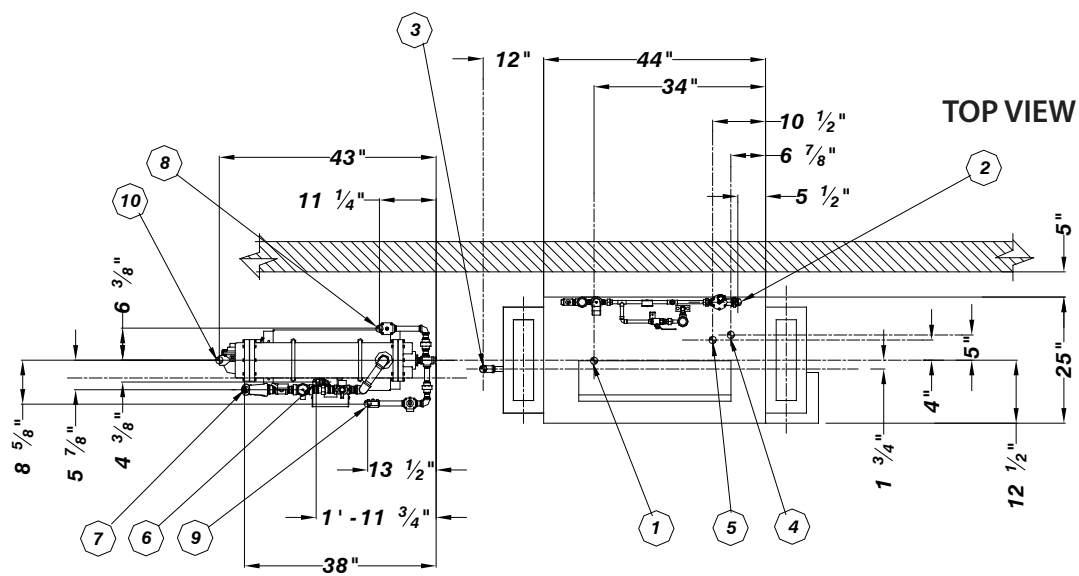
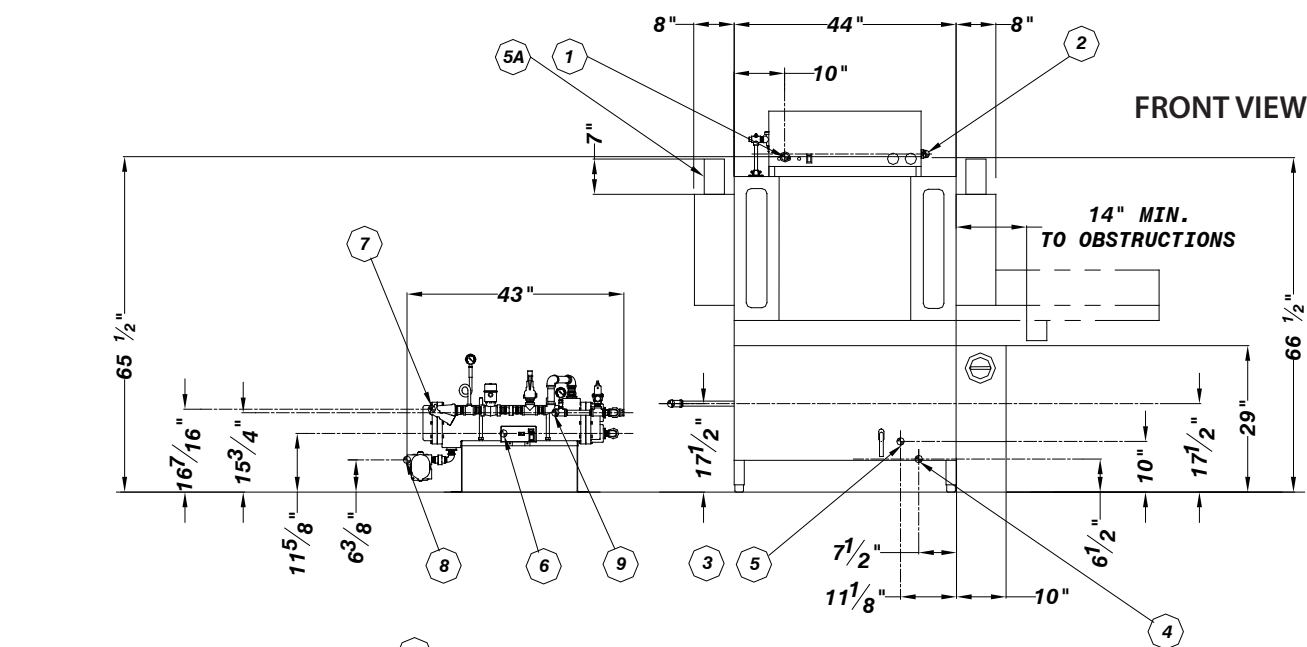
Left to Right



1. Electrical connection
2. 1/2" NPT 180° F water inlet for wash and final rinse
3. 3/4" NPT steam connection
4. 3/4" NPT condensate return line
5. 1-1/2" NPT drain connection
- 5a. Vent connection - Includes damper. 2 locations 4" I.D. X 16" I.D.

STEAM BOOSTER CONNECTIONS

6. Electrical connection
7. 1" NPT steam connection
8. 3/4" NPT condensate connection
9. 3/4" NPT incoming 110° F water connection
10. 3/4" NPT 180° water connection to dishmachine



1. Electrical connection
2. 1/2" NPT 180° F water inlet for wash and final rinse
3. 3/4" NPT steam connection
4. 3/4" NPT condensate return line
5. 1-1/2" NPT drain connection
- 5a. Vent connection - Includes damper. 2 locations 4" I.D. X 16" I.D.

STEAM BOOSTER CONNECTIONS

6. Electrical connection
7. 1" NPT steam connection
8. 3/4" NPT condensate connection
9. 3/4" NPT incoming 110° F water connection
10. 3/4" NPT 180° water connection to dishmachine



AJX-44

Recommended Table Fabrication

Note: Tub Will Accept a Table Flange Up to 24 7/8" (632 mm)

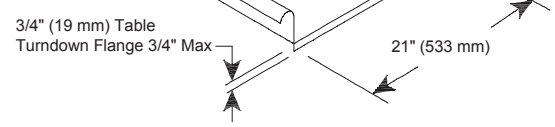
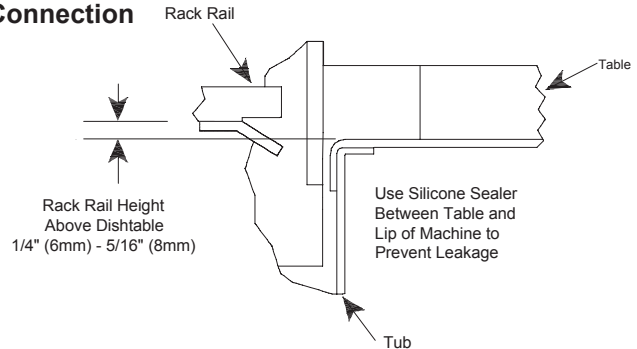


Table Connection



MODEL NO.	MACHINE DIMENSIONS				DRAIN HEIGHT	SHIPPING INFORMATION					
	HEIGHT	HEIGHT WITH DOOR OPEN	LENGTH BETWEEN DISHTABLES	DEPTH		WEIGHT	CLASS	CUBE	HEIGHT	WIDTH	DEPTH
AJX-44	75-1/2" (1919 mm)	84" (2134 mm)	44" (1118 mm)	25" (635 mm)	7-1/2" (191 mm)	641 lbs (291 kg)	92.5	137.2 cu. ft.	78" (1981 mm)	76" (1930 mm)	40" (1016 mm)

DIMENSION REQUIREMENTS	
Wall Clearance (minimum)	4-1/2" (114 mm)
Standard Table Height	34" (864 mm)
Inside Clearance	25" (635 mm)

WATER REQUIREMENTS	
Inlet Temperature (minimum)	
With 40° F (22.2° C) Rise Booster Heater	140° F (60° C)
With 70° F (38.9° C) Rise Booster Heater	110° F (43° C)
Gallons per Hour - High-Temperature	153 gal (579 L)
Gallons per Hour - Chemical Sanitizing	163 gal (617 L)
Gallons per Rack - High-Temperature	.68 gal (2.6 L)
Gallons per Rack - Chemical Sanitizing	.78 gal (3.0 L)
Waterline Size IPS (minimum)	1/2"
Drainline Size IPS (minimum)	1-1/2"
Flow Pressure (PSI)	15
Flow Rate (minimum) - High -Temperature	2.6 GPM (9.8 LPM)
Flow Rate (minimum) - Chemical Sanitizing	2.7 GPM (10.2 LPM)
Wash Tank Capacity	21 gal (79.5 L)

OPERATING CAPACITY		
	High-Temperature	Chemical Sanitizing
Racks per Hour	225	209

OPERATING TEMPERATURES		
	High-Temperature	Chemical Sanitizing
Wash (minimum)	160° F (71° C)	140° F (60° C)
Rinse (minimum)	180° F (82° C)	140° F (60° C)

ELECTRICAL REQUIREMENTS			
Approximate Total Load AMPS			
	Electric		Steam
208V/60HZ/3PH	56.7		6.7
208V/60HZ/1PH	96.8		10.3
230V/60HZ/3PH	51.9		6.7
230V/60HZ/1PH	88.6		10.3
460V/60HZ/3PH	26.0		3.4

WASH PUMP	
Wash Pump Motor	2 hp
Wash Pump Capacity	270 GPM (1022 LPM)

CONVEYOR	
Conveyor Motor	1/4 hp
Conveyor Speed (feet per minute highest speed)	
High-Temperature	6.2 FPM (1.9 MPM)
Chemical Sanitizing	5.75 FPM (1.75 MPM)

BOOSTER HEATER OPTIONS					
	40° F (22.2° C) Minimum Rise		70° F (38.9° C) Minimum Rise		
	kW	AMPS	kW	AMPS	
208V/60HZ/3PH	17.2	47.8	30	83.4	
230V/60HZ/3PH	18	45.2	30	75.4	
460V/60HZ/3PH	18	22.6	30	37.7	

VENTING REQUIREMENTS			
	Input End	Output End	Total CFM
	200 CFM	400 CFM	600 CFM

STEAM COIL TANK HEAT (STEAM MODELS ONLY)	
Steam Connection IPS	3/4"
Steam Flow Pressure (PSIG)	10-20
Consumption @ 15 PSIG (lbs/hr)	60

HOW TO SPECIFY: AJX-44

Jackson WWS, Inc.
 Shipping Address: 6209 North U.S. Highway 25E, Gray, KY 40734
 Mailing Address: P.O. Box 1060, Barbourville, KY 40906
 Telephone: 888-800-5672 • Fax: 606-523-1799
 Email: info@jacksonwws.com
 07610-003-60-58 [03/22/13]

www.jacksonwws.com

We reserve the right to change specifications in this bulletin without incurring any obligation for equipment previously or subsequently sold.