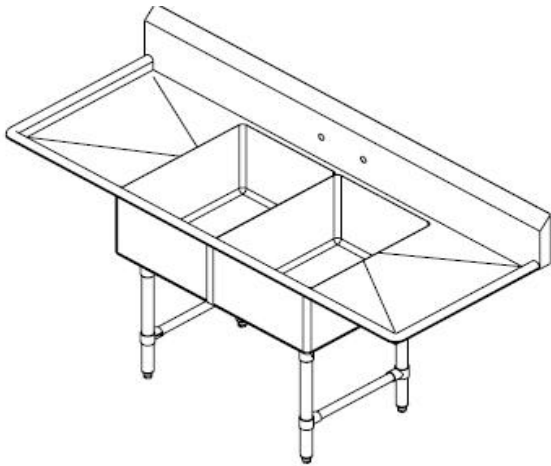




# "2B-2DB" "B" Series Sinks

Two Compartment Sinks w/ 2 Drainboard  
w/ Stainless Steel Base & Bracing



**STANDARD:** 16 ga. 300 S/S welded Bowls  
16 ga. 300 S/S Drainboards and Splash  
10" Back Splash

STANDARD	
16 Gauge	Qty
2B16204-2D18	
2B184-2D18	
2B18244-2D18	
2B244-2D24	

**Bowl Sizes:**

- 16" X 20"
- 18" x 18"
- 18" X 24"
- 24" x 24"

**FEATURES:**

- \* Standard 16 Gauge Type 300 stainless steel with # 3 polish, satin finish
- \* 14" Deep Bowls
- \* All Corners, both vertical and horizontal, covered at 3/4" radius
- \* Bottoms of bowls formed for drainage to 3-1/2" diameter die stamped opening
- \* Full length **10" High Boxed Backsplash**, with 2" return to wall at 45 degree and 1" turned down rear lip
- \* 1-1/8" Faucet Holes in Backsplash
- \* All outside corners of assembly are Bullnosed to provide safe, clean and polished edge
- \* Standard stainless steel legs 1-5/8" diameter
- \* Legs located directly under sink bowls, providing increased stability and maximum weight support

**CONSTRUCTION:**

- Top: Stainless Steel Sinks are TIG welded, Exposed welds are polished to match adjacent surface.
- Bases: Stainless Steel Bases are MIG welded

**MATERIAL:**

- Bowls & 16 gauge stainless Steel
- Top: Type 300 stainless steel with # 3 polish, satin finish
- Legs: 1 5/8" Round O.D., stainless steel
- Bracing: 1 1/4" Round O.D., stainless steel
- Gussets: Stainless Steel
- Feet: 1" adjustable stainless steel bullet feet

**OPTIONAL ACCESSORIES**

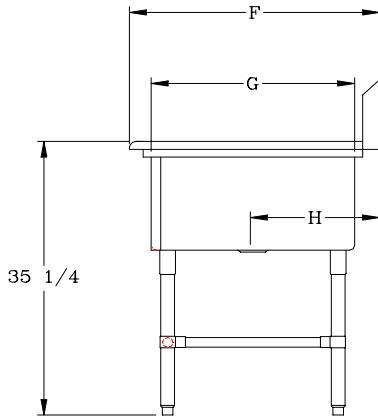
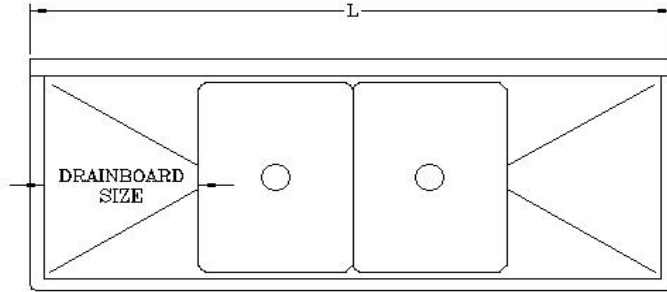
	Qty
FAUCETS	
ADD-A-FAUCETS	
PRE-RINSE UNITS	
LEVEL WASTE	
OVERSHELVES	
POT RACK	

**John Boos & Co**

315 South First Street - Effingham, IL 62401  
Phone: 217-347-7701 - Fax: 217-347-7705  
Email: sales@johnboos.com - Web-site: www. johnboos.com

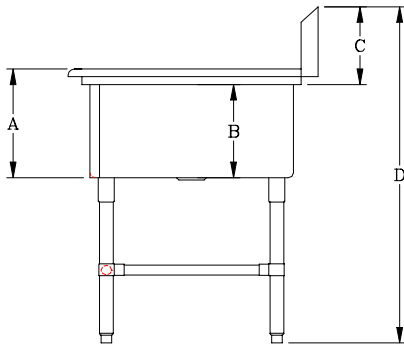
## DETAILED SPECIFICATIONS

BOWLS	F	G	H
16 X 20	25-1/2"	20"	12-15/16"
18 X 18	23-1/2"	18"	11-15/16"
18 X 24	29-1/2"	24"	14-15/16"
24 X 24	29-1/2"	24"	14-15/16"



<b>A</b>	16-1/4"
<b>B</b>	14"
<b>C</b>	10"
<b>D</b>	43"

STANDARD 16 GAUGE				
MODEL	BOWL SIZE	DIMENSIONS	DB	WT.
2B16204-2D18	16 X 18 X 14	71" X 25-1/2"	18"	310
2B184-2D18	18 X 18 X 14	75" X 23-1/2"	18"	310
2B18244-2D18	18 X 24 X 14	75" X 29-1/2"	18"	320
2B244-2D24	24 X 24 X 14	99" X 29-1/2"	24"	338



All dimensions are typical.

Tolerance +/- .500".

All units ship unassembled for reduced shipping cost.

### John Boos & Co

315 South First - Effingham, IL 62401 Phone: 217-347-7701 - Fax: 217-347-7705

Email: sales@johnboos.com - Web-site: www.johnboos.com



July 2010

John Boos is constantly engaged in a program of improving products and therefore reserves the right to change specification without prior notice