



**John
BOOS**
Since 1887

ITEM #: _____ QTY: _____
 MODEL #: _____
 PROJECT NAME: _____

063017

3601 S. Banker St. Effingham, IL 62401 • P.O. BOX 609 • Ph: (888) 431-2667 • Fax: (800) 433-2667

"PBHS-09" PRO-BOWL HAND SINKS - SPACE SAVER



FEATURES:

- ONE PIECE DEEP DRAWN BOWL
- ALL SINK BOWLS HAVE LARGE LIBERAL RADIUS CORNERS
- INCLUDES BASKET DRAIN
- SPLASH MOUNT FAUCET HOLES 4" ON-CENTER

CONSTRUCTION:

- BOWL: STAINLESS STEEL TOPS ARE TIG WELDED, EXPOSED WELDS ARE POLISHED TO MATCH ADJACENT SURFACE.

MATERIAL:

- BOWL: TYPE 300 STAINLESS STEEL POLISH, SATIN FINISH
- BRACKET: TYPE 300 STAINLESS STEEL POLISH, SATIN FINISH



PBHS-99-P-SSTD



PBHS-W-0909



PBHS-W-0909-SSLR

PRO-BOWL HAND SINKS

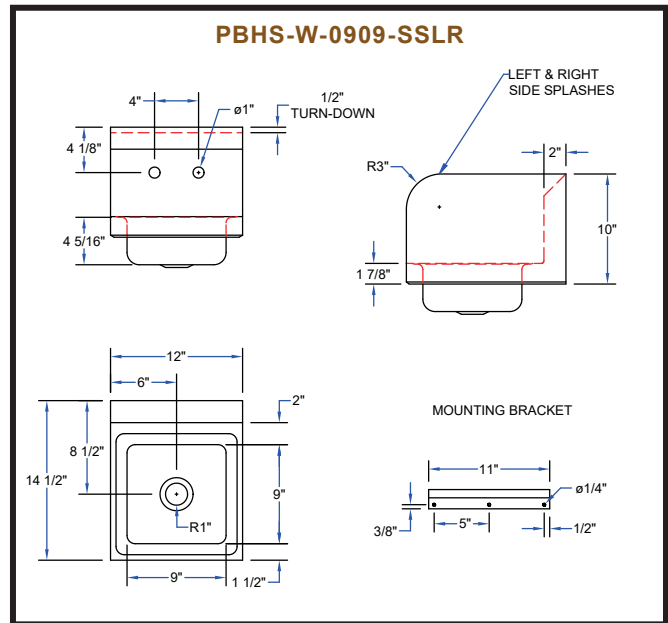
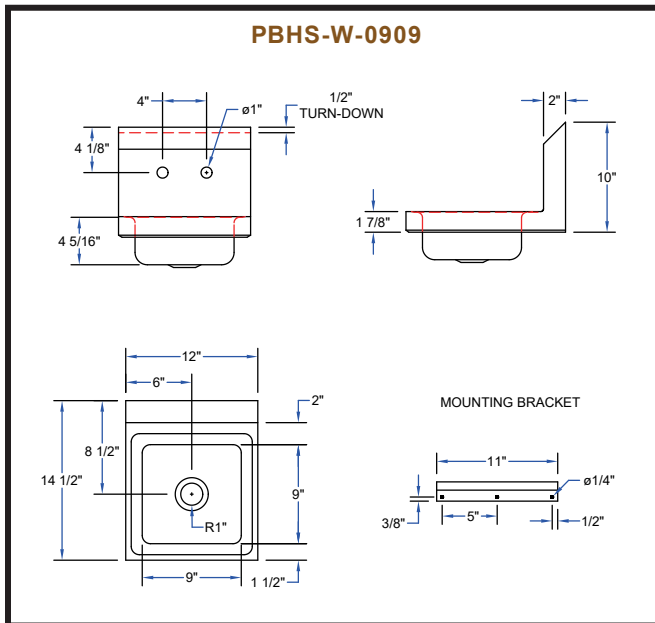
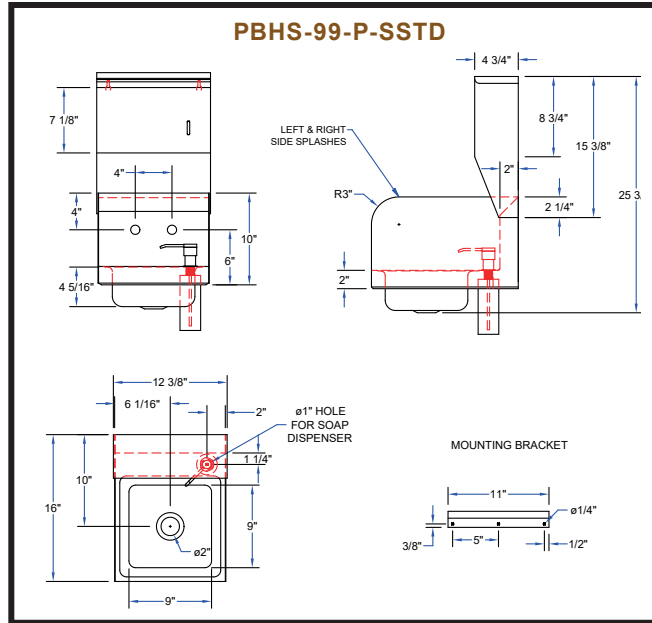
MODEL #	QTY
PBHS-99-P-SSTD	
PBHS-W-0909	
PBHS-W-0909-P	
PBHS-W-0909-SSLR	
PBHS-W-0909-P-SSLR	

-P INCLUDES SPLASH MOUNT FAUCET

OPTIONAL ACCESSORIES

DESCRIPTION	QTY
FAUCETS	
SIDE SPASH	
ADA WRIST BLADES	
TOWEL DISPENSER	
LEVER WASTES	
OVER FLOWS	
P-TRAPS	

DETAILED SPECIFICATIONS



PRO-BOWL HAND SINKS

MODEL #	BOWL SIZE (LxWxD)	DRAIN SIZE	FAUCET LOCATION	SIDE SPLASH
PBHS-99-P-SSTD	9" X 9" X 5"	1-7/8"	SPLASH MOUNT - 4" ON-CENTER (GOOSE NECK FAUCET, SOAP & TOWEL DISPENSER INCLUDED)	LH & RH
PBHS-W-0909	9" X 9" X 5"	1-7/8"	SPLASH MOUNT - 4" ON-CENTER	N/A
PBHS-W-0909-P	9" X 9" X 5"	1-7/8"	SPLASH MOUNT - 4" ON-CENTER (FAUCET INCLUDED)	N/A
PBHS-W-0909-SSLR	9" X 9" X 5"	1-7/8"	SPLASH MOUNT - 4" ON-CENTER	LH & RH
PBHS-W-0909-P-SSLR	9" X 9" X 5"	1-7/8"	SPLASH MOUNT - 4" ON-CENTER (FAUCET INCLUDED)	LH & RH

SOME UNITS SHIP UNASSEMBLED FOR REDUCED SHIPPING COST. ALL DIMENSIONS ARE TYPICAL. TOLERANCE +/- .500"
 John Boos & Co. is constantly engaged in a program of improving products and therefore reserves the right to change specifications without prior notice.



3601 S. Banker St. • Effingham, IL 62401 • PO BOX 609 • quotes@johnboos.com

063017



www.johnboos.com