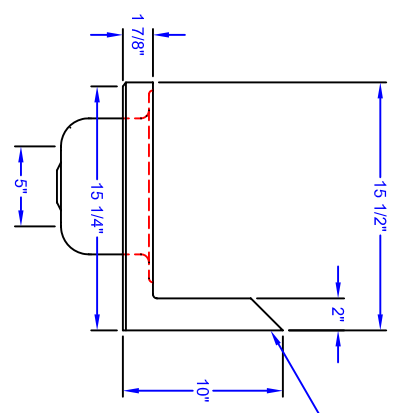
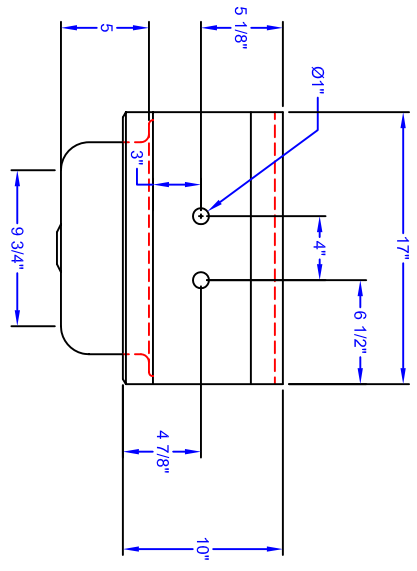


NSF APPROVED
 PB-HS-4 FAUCET INCLUDED
 MOUNTING BRACKET



PB-HS-4
 NOT TO SCALE
 005566SA
 4" O.C. SPLASH MOUNT FAUCET
 W/ 3.5" GOOSENECK SPOUT

QTY: 1



MATERIALS
 DECK: 18GA. S.S.
 BASE: S.S.

REVISIONS:

JOHN BOOS & CO.

315 SOUTH FIRST STREET
 P.O. BOX 609
 EFFINGHAM, ILL. 62401
 (217) 347-7701 / FAX (217) 347-7705



E-MAIL: sales@johnboos.com Web Site: www.johnboos.com

JOHN BOOS & COMPANY

PRO BOWL SINKS

THIS DRAWING AND THE DESIGN SHOWN ARE THE PROPERTY OF JOHN BOOS & CO. REPRODUCTION, INFRINGEMENT OR ANY OTHER UNAUTHORIZED USE OF THIS DRAWING WITHOUT THE WRITTEN CONSENT OF JOHN BOOS & CO. WILL BE SUBJECT TO LEGAL ACTION.

SHEET NUMBER:	ROOM NUMBER:	ITEM NUMBER:	MODEL NUMBER:	SCALE:	DATE:	DRAWN BY:	SALES ORDER NUMBER:
			PBHS-W-1410-P	1"=1'	4-10-05	MB	