



# "18 Gauge Undercounter Dishtables"

**Straight Dish Tables  
w/ Galvanized Base & Bracing**



**STANDARI** 18 ga. 300 S/S welded Bowl  
10" Back Splash

18 GAUGE TOP w/ BRACING		Qty
EDTS8-S30-50UCL		
EDTS8-S30-50UCR		
EDTS8-S30-60UCL		
EDTS8-S30-60UCR		

**FEATURES:**

- \* 18 Gauge Type 300 stainless steel with # 4 polish, satin finish
- \* 8" Deep Bowls (bowl size 20"x20"x8")
- \* All Corners, both vertical and horizontal, covered at 5/8" radius
- \* Bottoms of bowls formed for drainage to 3-1/2" diameter die stamped opening
- \* Full length **10" High Boxed Backsplash**, with 2" return to wall at 45 degree and 3/4" turned down rear lip
- \* 1" Faucet Holes in Backsplash
- \* All outside corners of assembly are Bullnosed to provide safe, clean and polished edge
- \* Standard legs 1-5/8" diameter

**CONSTRUCTION:**

Top: Stainless Steel Sinks are TIG welded, Exposed welds are polished to match adjacent surface.

**MATERIAL:**

Bowls & 18 gauge stainless Steel  
 Top: Type 300 stainless steel with # 4 polish, satin finish  
 Legs: 1 5/8" Round O.D., Galvanized  
 Bracing: 1 1/4" Round O.D., Galvanized  
 Gussets: Galvanized  
 Feet: 1" adjustable plastic

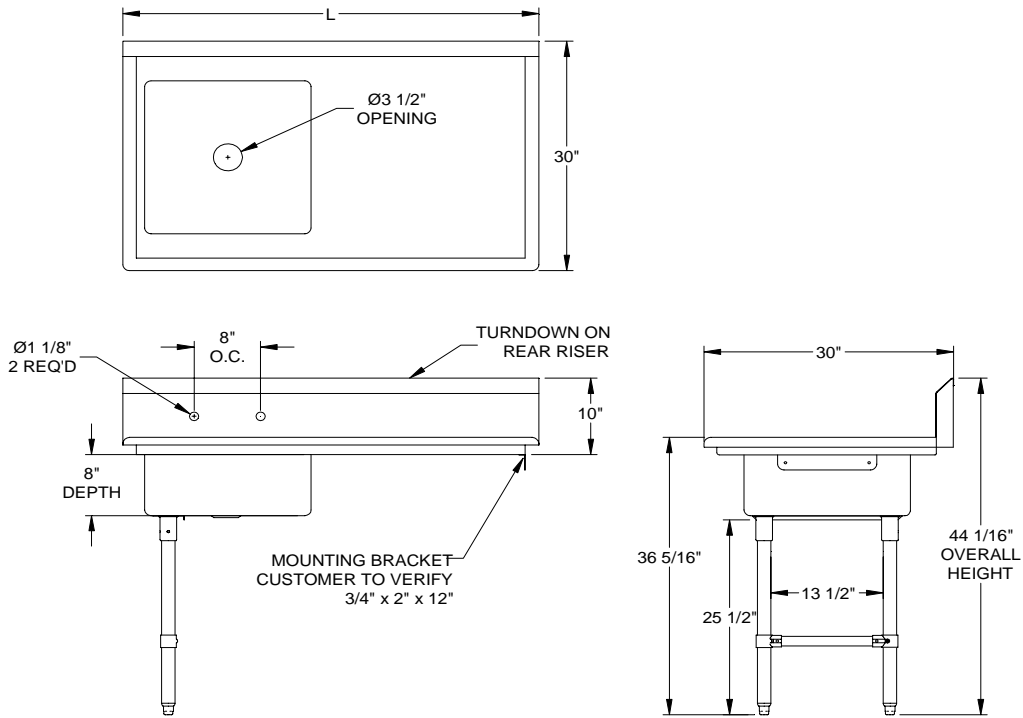
**OPTIONAL  
ACCESSORIES**

	Qty
ADD-A-FAUCETS	
PRE-RINSE UNITS	
LEVEL WASTE	

**John Boos & Co**

315 South First Street - Effingham, IL 62401  
 Phone: 217-347-7701 - Fax: 217-347-7705  
 Email: sales@johnboos.com - Web-site: www. johnboos.com

## DETAILED SPECIFICATIONS



All units ship unassembled for reduced shipping cost.

All dimensions are typical.

Tolerance +/- .500\".

STANDARD 16 GAUGE			
MODEL	BOWL SIZE	DIMENSIONS	WT.
EDTS8-S30-50UCL	20 x 20 x 8	50" x 30"	55
EDTS8-S30-50UCR	20 x 20 x 8	50" x 30"	55
EDTS8-S30-60UCR	20 x 20 x 8	60" x 30"	66
EDTS8-S30-60UCR	20 x 20 x 8	60" x 30"	66

### John Boos & Co

315 South First - Effingham, IL 62401 Phone: 217-347-7701 - Fax: 217-347-7705

Email: sales@johnboos.com - Web-site: www.johnboos.com



March 2011

**John Boos** is constantly engaged in a program of improving products and therefore reserves the right to change specification without prior notice