



"Clean Dish Tables" Pro-Bowl

Straight Dish Tables w/ Stainless Steel Base & Bracing



STANDARD: 16 ga. 304 S/S welded Bowl
16 ga. 304 S/S sides and Splash
10" Back Splash



16 GAUGE TOP w/ BRACING	Qty
JDTC-20-24	
JDTC-20-36	
JDTC-20-48	
JDTC-20-60	
JDTC-20-72	
JDTC-20-84	
JDTC-20-96	
JDTC-20-120	
JDTC-20-144	

**Must specify
Left or Right
Drainboards**

FEATURES:

- * Standard 16 Gauge (optional 14 gauge)
Type 304 stainless steel with # 3 polish, satin finish
- * Full length **10" High Boxed Backsplash**, with 2" return to wall at 45 degree and 3/4" turned down rear lip
- * All outside corners of assembly are Bullnosed to provide safe, clean and polished edge
- * Standard legs 1-5/8" diameter, 16 gauge Stainless Steel
Type 304 stainless steel with # 3 polish, satin finish
- * All models are approved by the National Sanitation Foundation and the U.S. Department of Agriculture.

CONSTRUCTION:

Top: Stainless Steel Sinks are TIG welded, Exposed welds are polished to match adjacent surface.

MATERIAL:

Bowls & Top: 16 gauge stainless Steel (optional 14 Gauge)
Type 304 stainless steel with # 3 polish, satin finish

Legs: 1 5/8" Round O.D., 16 gauge stainless steel
Type 304 stainless steel with # 3 polish, satin finish

Bracing: 1 1/4" Round O.D., 16 gauge stainless steel
Type 304 stainless steel with # 3 polish, satin finish

Gussets: Stainless Steel

Feet: 1" adjustable galvanized bullet feet

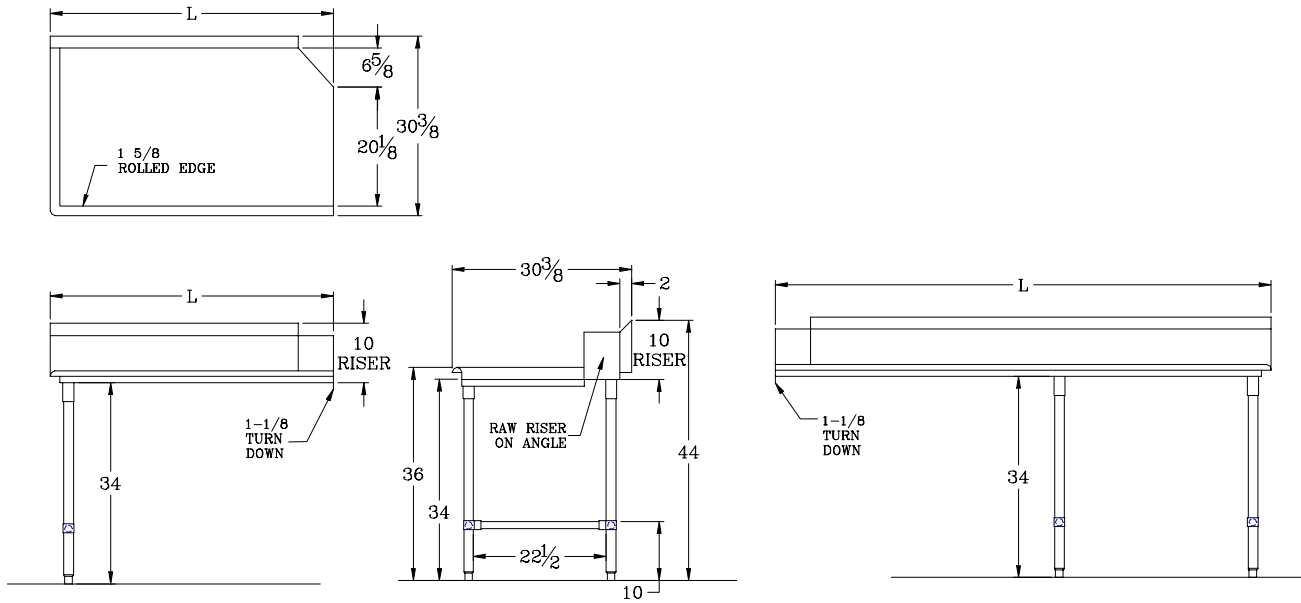
OPTIONAL ACCESSORIES

	Qty
14 GAUGE	
UNDERSHELF	
OVERSHELVES	
POT RACK	
STAINLESS STEEL FEET	

John Boos & Co

315 South First Street - Effingham, IL 62401
Phone: 217-347-7701 - Fax: 217-347-7705
Email: sales@johnboos.com - Web-site: www.johnboos.com

DETAILED SPECIFICATIONS



All units ship unassembled for reduced shipping cost.

Units 7 ft. and larger are furnished with four legs.

All dimensions are typical.

Tolerance +/- .500".

STANDARD 16 GAUGE			
MODEL	BOWL SIZE	DIMENSIONS	WT.
JDTC-20-24	-	24" x 30-3/8"	35
JDTC-20-36	-	36" x 30-3/8"	45
JDTC-20-48	-	48" x 30-3/8"	60
JDTC-20-60	-	60" x 30-3/8"	70
JDTC-20-72	-	72" x 30-3/8"	85
JDTC-20-84	-	84" x 30-3/8"	100
JDTC-20-96	-	96" x 30-3/8"	110
JDTC-20-120	-	120" x 30-3/8"	160
JDTC-20-144	-	144" x 30-3/8"	210

John Boos & Co

315 South First - Effingham, IL 62401 Phone: 217-347-7701 - Fax: 217-347-7705

Email: sales@johnboos.com - Web-site: www.johnboos.com



June 2003

John Boos is constantly engaged in a program of improving products and therefore reserves the right to change specification without prior notice