



"EFT8" Filler Tables

w/ 18 Gauge Stainless Steel Work Top
w/ Galvanized Base and Undershelf



30"WIDE	Qty
EFT8-3015	
EFT8-3018	
EFT8-3024	

FEATURES:

- * 18 Gauge Stainless Steel Top
Type 430 stainless steel mechanically polished, satin finish
- * Top is Sound Deadened
- * 1 1/2" Stallion Edge on front
side edges 90 degree bend down for table line-up
- * Galvanized Base and Undershelf
- * Undershelf is adjustable to desired height
- * Adjustable bullet feet
- * Shipped knocked-down, easy - to - assemble
- * All models are approved by the National Sanitation Foundation

CONSTRUCTION:

Top: Stainless Steel Tops are TIG welded, Exposed welds are polished to match adjacent surface.

MATERIAL:

Top: 18 gauge stainless steel
Type 430 stainless steel mechanically polished, satin finish

Shelf: 18 gauge Galvanized Steel

Legs: 1 5/8" Round O.D., 16 gauge tubular galvanized steel

Gussets: Galvanized Steel

Feet: 1" adjustable plastic bullet feet

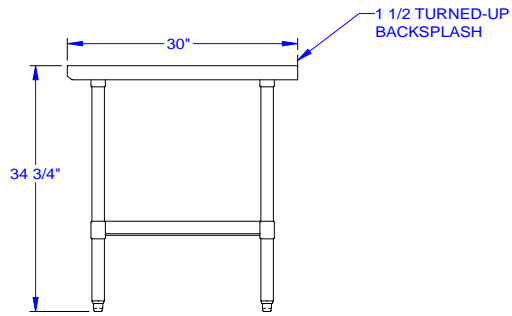
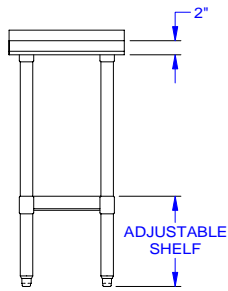
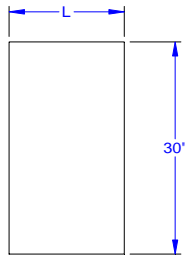
John Boos & Co

315 South First Street - Effingham, IL 62401

Phone: 217-347-7701 - Fax: 217-347-7705

Email: sales@johnboos.com - Web-site: www. johnboos.com

DETAILED SPECIFICATIONS



All dimensions are typical.
Tolerance +/- .500".

18 GAUGE TOP w/ GALVANIZED
LEGS & UNDERSHELF

Finished size of undershelf.
Shelf length = length minus 4.875"
Shelf width = width minus 4.25"

L	30" WIDE	WT.
15	EFT8-3015	29
18	EFT8-3018	35
24	EFT8-3024	46

John Boos & Co

315 South First - Effingham, IL 62401 Phone: 217-347-7701 - Fax: 217-347-7705
Email: sales@johnboos.com - Web-site: www.johnboos.com



November 2010

John Boos is constantly engaged in a program of improving products and therefore reserves the right to change specification without prior notice